



Chipsmall Limited consists of a professional team with an average of over 10 year of expertise in the distribution of electronic components. Based in Hongkong, we have already established firm and mutual-benefit business relationships with customers from,Europe,America and south Asia,supplying obsolete and hard-to-find components to meet their specific needs.

With the principle of "Quality Parts,Customers Priority,Honest Operation,and Considerate Service",our business mainly focus on the distribution of electronic components. Line cards we deal with include Microchip,ALPS,ROHM,Xilinx,Pulse,ON,Everlight and Freescale. Main products comprise IC,Modules,Potentiometer,IC Socket,Relay,Connector.Our parts cover such applications as commercial,industrial, and automotives areas.

We are looking forward to setting up business relationship with you and hope to provide you with the best service and solution. Let us make a better world for our industry!



Contact us

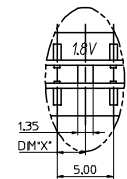
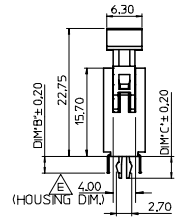
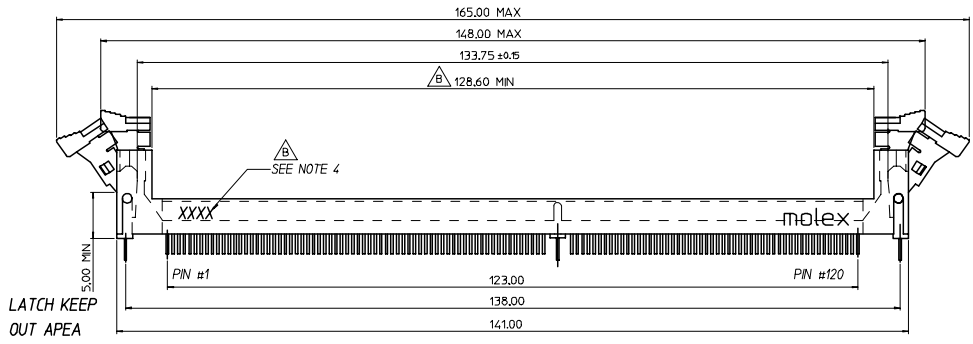
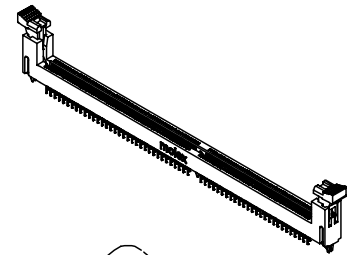
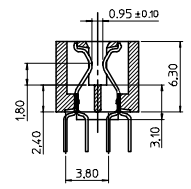
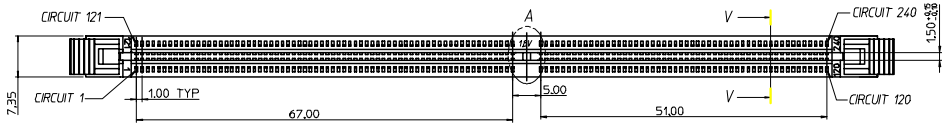
Tel: +86-755-8981 8866 Fax: +86-755-8427 6832

Email & Skype: info@chipsmall.com Web: www.chipsmall.com

Address: A1208, Overseas Decoration Building, #122 Zhenhua RD., Futian, Shenzhen, China

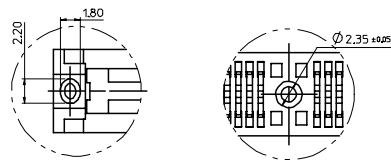
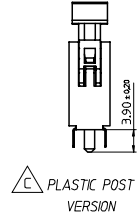
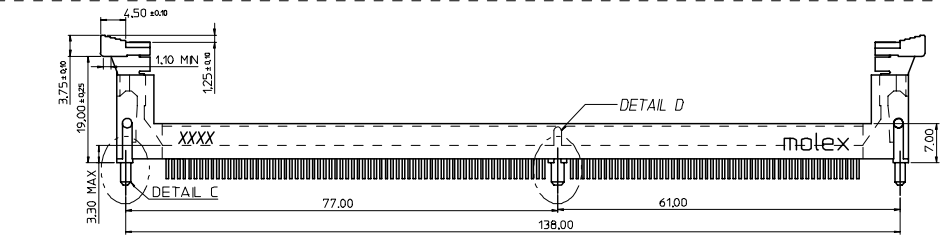


10 9 8 7 6 5 4 3 2 1



KEY LOCATION	VOLTAGE	DIM.'X'
CENTER	1.8V	2.50

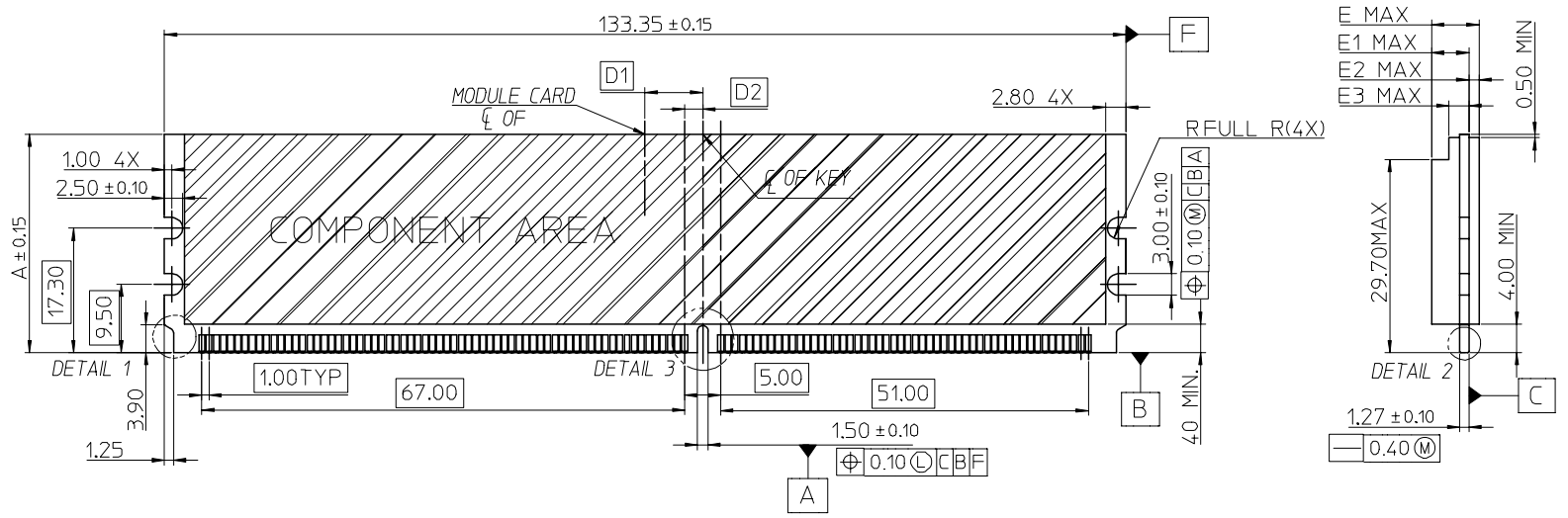
KEY LOCATION	DIM.'B'	DIM.'C'	PCB THK
CENTER 1.8V	2.67	3.94	1.57
CENTER 1.8V	3.18	4.60	2.36



- NOTES:
- MATERIAL:
 - HOUSING: SEE TABLE, GLASS FIBER FILLED UL94V-0, COLOR: SEE TABLE.
 - LATCH: GLASS FIBER FILLED UL94V-0, COLOR: SEE TABLE.
 - BOARDLOCK: BRASS
 - CONTACT: PHOSPHOR BRONZE.
 - PLATING:
 - CONTACT AREA: GOLD PLATED, THICKNESS SEE TABLE.
 - SOLDER TAIL: 100 MICRONCH TIN OVER NICKEL OVERALL APPEARANCE: SEE TABLE.
 - FORKLOCK: 100 MICRONCH TIN OVER NICKEL OVERALL
 - VOLTAGE: 1.8V
 - DATE CODE= XXXX : YYWW
 - PRODUCT SPECIFICATION REFER TO PS-48206-001
 - PACKAGING SPECIFICATION REFER TO PK-48206-001
 - TEST SUMMARY: REFER TO TS-48206-001
 - LEAD-FREE AND ROHS COMPLIANCE PRODUCT.

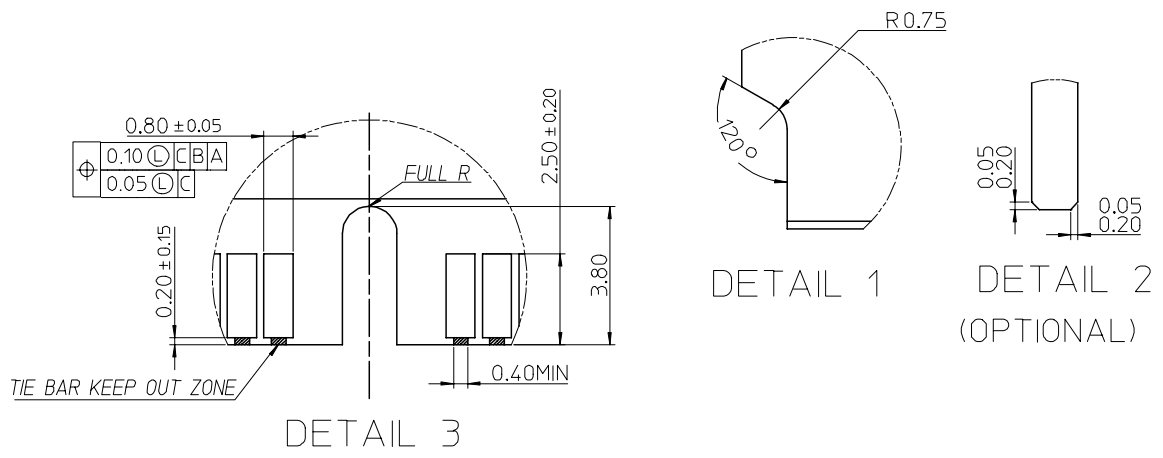
REVISED FOR TYPO EC NO: SH2008-0027 DRWN: ALLIN 2007/07/13 CHKD: 2007/07/13 APPR: WWSCHANG 2007/07/13	QUALITY SYMBOLS ▽=0 ▽=0	GENERAL TOLERANCES (UNLESS SPECIFIED)		DIMENSION STYLE MM ONLY		SCALE 1:1	DESIGN UNITS METRIC	THIRD ANGLE PROJECTION			
		4 PLACES ± --- ± ---	3 PLACES ± --- ± ---	2 PLACES ± 0.25 ± ---	1 PLACE ± 0.25 ± ---	DRAWN BY TOM	DATE 2005/03/26	TITLE 1.0MM PITCH FB DIMM 240 CKTS VERTICAL SOCKET			
		ANGULAR ± 3 °				CHECKED BY ALLEN LIN	DATE 2005/03/27				
		DRAFT WHERE APPLICABLE MUST REMAIN WITHIN DIMENSIONS				APPROVED BY WILSON	DATE 2005/03/27	MOLEX INCORPORATED		SHEET NO. 1 OF 6	

9 8 7 6 5 4 3 2 1

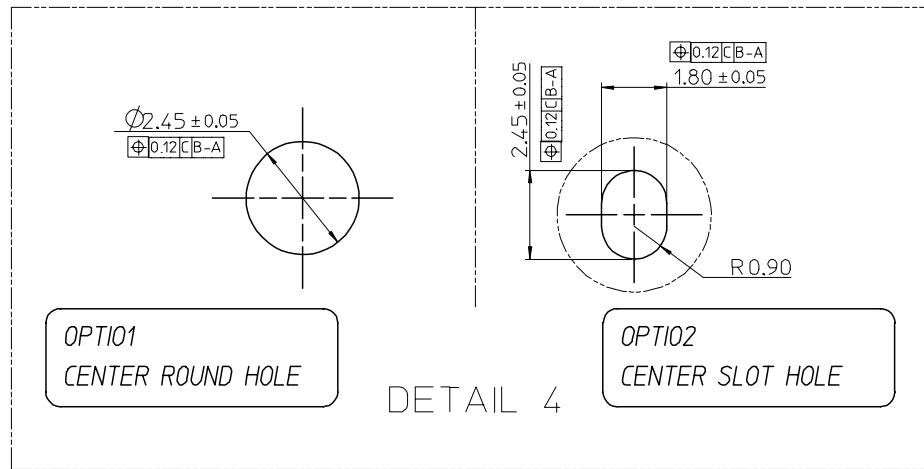
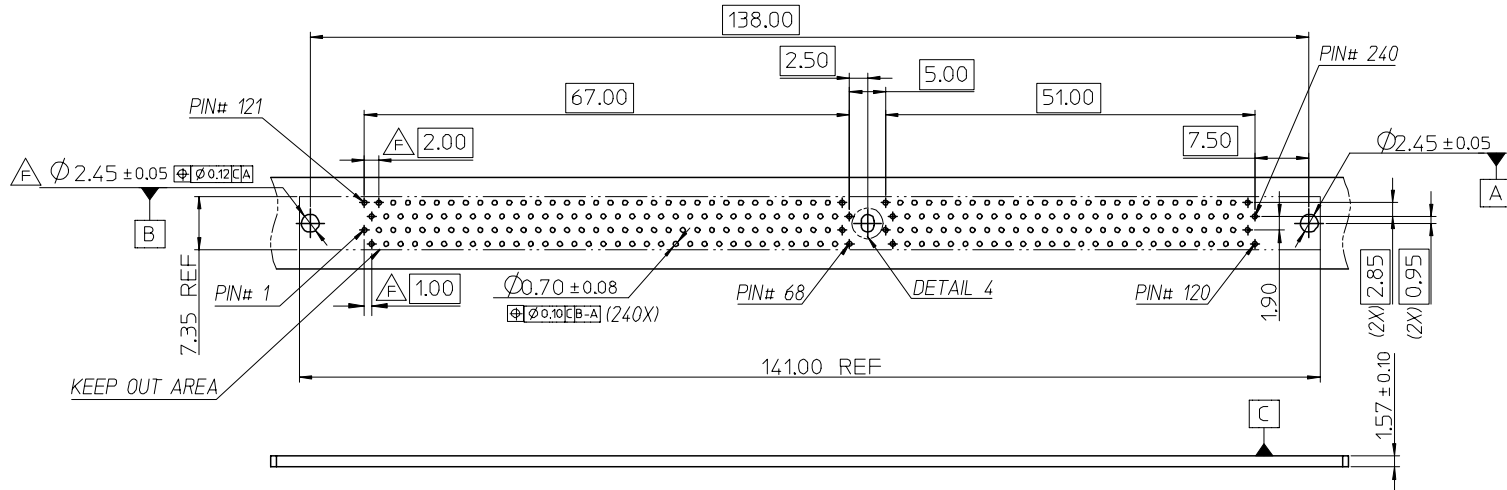


VAR	AB
A	30.35
D1	8.00 BASIC
D2	2.50 BASIC
E	8.20 MAX
E1	6.80 MAX
E2	1.40 MAX
E3	2.80 MAX

NOTES:
1. TOLERANCE ON ALL DIMENS ± 0.15
UNLESS OTHERWISE NOTED



SEE SHEET 1 EC NO: SH2008-0027 T: DRW: ALLIN 2007/07/13 CHKD: 2007/07/13 APPR: WISCHANG 2007/07/13	QUALITY SYMBOLS	GENERAL TOLERANCES (UNLESS SPECIFIED)	DIMENSION STYLE	SCALE	DESIGN UNITS	THIRD ANGLE PROJECTION																		
	$\nabla = 0$ $\sphericalangle = 0$	<table border="1"> <thead> <tr> <th></th> <th>mm</th> <th>INCH</th> </tr> </thead> <tbody> <tr> <td>4 PLACES</td> <td>± ---</td> <td>± ---</td> </tr> <tr> <td>3 PLACES</td> <td>± ---</td> <td>± ---</td> </tr> <tr> <td>2 PLACES</td> <td>± 0.25</td> <td>± ---</td> </tr> <tr> <td>1 PLACE</td> <td>± 0.25</td> <td>± ---</td> </tr> <tr> <td colspan="3">ANGULAR ± 3 °</td> </tr> </tbody> </table>		mm	INCH	4 PLACES	± ---	± ---	3 PLACES	± ---	± ---	2 PLACES	± 0.25	± ---	1 PLACE	± 0.25	± ---	ANGULAR ± 3 °			MM ONLY	1:1	METRIC	
		mm	INCH																					
	4 PLACES	± ---	± ---																					
3 PLACES	± ---	± ---																						
2 PLACES	± 0.25	± ---																						
1 PLACE	± 0.25	± ---																						
ANGULAR ± 3 °																								
	DRAFT WHERE APPLICABLE MUST REMAIN WITHIN DIMENSIONS	SEE TABLE	DRAWN BY: TOM DATE: 2005/03/26 CHECKED BY: ALLEN LIN DATE: 2005/03/27 APPROVED BY: WILSON DATE: 2005/03/27 MATERIAL NO.: DOCUMENT NO.: SD-48206-001 SHEET NO.: 2 OF 6																					
			TITLE: 1.0MM PITCH FB DIMM 240 CKTS VERTICAL SOCKET MOLEX INCORPORATED THIS DRAWING CONTAINS INFORMATION THAT IS PROPRIETARY TO MOLEX INCORPORATED AND SHOULD NOT BE USED WITHOUT WRITTEN PERMISSION																					



SEE SHEET 1	DESCRIPTION
EC NO: SH2008-0027	2007/07/13
DRWN: ALLIN	2007/07/13
CHKD:	
APPR: WWSCHANG	2007/07/13
REV	

QUALITY SYMBOLS	DESCRIPTION
▽=0	
∇=0	

GENERAL TOLERANCES (UNLESS SPECIFIED)	
	mm INCH
4 PLACES	± --- ± ---
3 PLACES	± --- ± ---
2 PLACES	± 0.25 ± ---
1 PLACE	± 0.25 ± ---
ANGULAR ± 3 °	
DRAFT WHERE APPLICABLE MUST REMAIN WITHIN DIMENSIONS	

DIMENSION STYLE	
MM ONLY	
DRAWN BY	DATE
TOM	2005/03/26
CHECKED BY	DATE
ALLEN LIN	2005/03/27
APPROVED BY	DATE
WILSON	2005/03/27
MATERIAL NO.	
SEE TABLE	
SIZE	
A3	

SCALE	DESIGN UNITS	THIRD ANGLE PROJECTION	
1:1	METRIC		
TITLE		MOLEX INCORPORATED	
1.0MM PITCH FB DIMM		SD-48206-001	
240 CKTS VERTICAL SOCKET		DOCUMENT NO.	SHEET NO.
			3 OF 6
THIS DRAWING CONTAINS INFORMATION THAT IS PROPRIETARY TO MOLEX INCORPORATED AND SHOULD NOT BE USED WITHOUT WRITTEN PERMISSION			

MOLEX P/N	HOUSING MATERIAL	HOUSING COLOR	LATCH COLOR	ALIGN MODE	CONTACT		PCB THICKNESS	SOLDER-TAIL APPEARANCE
					PLATING			
48206-0001	NYLON46/BLACK	WHITE	METAL FORK-LOCK		15 MICRONCH	157MM		
48206-0002					30 MICRONCH	157MM		
48206-0003					15 MICRONCH	2.36MM		
48206-0004					30 MICRONCH	2.36MM		
48206-0005					GOLD FLASH	157MM		
48206-0006	NYLON46/BLACK	WHITE	PLASTIC POST		15 MICRONCH	157MM		
48206-0011					30 MICRONCH	157MM		
48206-0012					15 MICRONCH	2.36MM		
48206-0013					30 MICRONCH	2.36MM		
48206-0014					GOLD FLASH	157MM		
48206-0015	NYLON46/BLACK	BLACK	METAL FORK-LOCK		15 MICRONCH	157MM	BRIGHT	
48206-0101					30 MICRONCH	157MM		
48206-0102					15 MICRONCH	2.36MM		
48206-0103					30 MICRONCH	2.36MM		
48206-0104					GOLD FLASH	157MM		
48206-0105	NYLON46/BLACK	BLACK	PLASTIC POST		15 MICRONCH	157MM		
48206-0106					30 MICRONCH	157MM		
48206-0111					15 MICRONCH	2.36MM		
48206-0112					30 MICRONCH	2.36MM		
48206-0113					GOLD FLASH	157MM		
48206-0114	NYLON46/WHITE	WHITE	METAL FORK-LOCK		15 MICRONCH	157MM		
48206-0115					30 MICRONCH	157MM		
48206-0116					15 MICRONCH	2.36MM		
48206-1001					30 MICRONCH	2.36MM		
48206-1002					GOLD FLASH	157MM		
48206-1003	NYLON46/WHITE	WHITE	PLASTIC POST		15 MICRONCH	157MM		
48206-1004					30 MICRONCH	157MM		
48206-1005					15 MICRONCH	2.36MM		
48206-1006					30 MICRONCH	2.36MM		
48206-1011					GOLD FLASH	157MM		
48206-1012	NYLON46/WHITE	BLACK	METAL FORK-LOCK		15 MICRONCH	157MM		
48206-1013					30 MICRONCH	157MM		
48206-1014					15 MICRONCH	2.36MM		
48206-1015					30 MICRONCH	2.36MM		
48206-1016					GOLD FLASH	157MM		
48206-1101	NYLON46/WHITE	BLACK	PLASTIC POST		15 MICRONCH	157MM		
48206-1102					30 MICRONCH	157MM		
48206-1103					15 MICRONCH	2.36MM		
48206-1104					30 MICRONCH	2.36MM		
48206-1105					GOLD FLASH	157MM		
48206-1106	NYLON46/WHITE	BLACK			15 MICRONCH	157MM		
48206-1111					30 MICRONCH	157MM		
48206-1112					15 MICRONCH	2.36MM		
48206-1113					30 MICRONCH	2.36MM		
48206-1114					GOLD FLASH	157MM		
48206-1115	NYLON46/WHITE	BLACK			15 MICRONCH	157MM		
48206-1116					30 MICRONCH	2.36MM		

MOLEX P/N	HOUSING MATERIAL	HOUSING COLOR	LATCH COLOR	ALIGN MODE	CONTACT		PCB THICKNESS	SOLDER-TAIL APPEARANCE
					PLATING			
48206-2001	NYLON46/GREEN (348C)	WHITE	METAL FORK-LOCK		15 MICRONCH	157MM		
48206-2002					30 MICRONCH	157MM		
48206-2003					15 MICRONCH	2.36MM		
48206-2004					30 MICRONCH	2.36MM		
48206-2005					GOLD FLASH	157MM		
48206-2006	NYLON46/GREEN (348C)	WHITE	PLASTIC POST		15 MICRONCH	157MM		
48206-2011					30 MICRONCH	157MM		
48206-2012					15 MICRONCH	2.36MM		
48206-2013					30 MICRONCH	2.36MM		
48206-2014					GOLD FLASH	157MM		
48206-2015	NYLON46/GREEN (348C)	BLACK	METAL FORK-LOCK		15 MICRONCH	157MM	BRIGHT	
48206-2016					30 MICRONCH	157MM		
48206-2101					15 MICRONCH	2.36MM		
48206-2102					30 MICRONCH	2.36MM		
48206-2103					GOLD FLASH	157MM		
48206-2104	NYLON46/GREEN (348C)	BLACK	PLASTIC POST		15 MICRONCH	157MM		
48206-2105					30 MICRONCH	157MM		
48206-2106					15 MICRONCH	2.36MM		
48206-2111					30 MICRONCH	2.36MM		
48206-2112					GOLD FLASH	157MM		
48206-2113	NYLON46/PURPLE (2736U)	WHITE	METAL FORK-LOCK		15 MICRONCH	157MM		
48206-2114					30 MICRONCH	157MM		
48206-2115					15 MICRONCH	2.36MM		
48206-2116					30 MICRONCH	2.36MM		
48206-3001					GOLD FLASH	157MM		
48206-3002	NYLON46/PURPLE (2736U)	WHITE	PLASTIC POST		15 MICRONCH	157MM		
48206-3003					30 MICRONCH	157MM		
48206-3004					15 MICRONCH	2.36MM		
48206-3005					30 MICRONCH	2.36MM		
48206-3006					GOLD FLASH	157MM		
48206-3011	NYLON46/PURPLE (2736U)	BLACK	METAL FORK-LOCK		15 MICRONCH	157MM		
48206-3012					30 MICRONCH	157MM		
48206-3013					15 MICRONCH	2.36MM		
48206-3014					30 MICRONCH	2.36MM		
48206-3015					GOLD FLASH	157MM		
48206-3016	NYLON46/PURPLE (2736U)	BLACK	PLASTIC POST		15 MICRONCH	157MM		
48206-3101					30 MICRONCH	157MM		
48206-3102					15 MICRONCH	2.36MM		
48206-3103					30 MICRONCH	2.36MM		
48206-3104					GOLD FLASH	157MM		
48206-3105	NYLON46/PURPLE (2736U)	BLACK			15 MICRONCH	157MM		
48206-3106					30 MICRONCH	157MM		
48206-3111					15 MICRONCH	2.36MM		
48206-3112					30 MICRONCH	2.36MM		
48206-3113					GOLD FLASH	157MM		
48206-3114	NYLON46/PURPLE (2736U)	BLACK			15 MICRONCH	157MM		
48206-3115					30 MICRONCH	2.36MM		
48206-3116					GOLD FLASH	157MM		

SEE SHEET 1 EC NO: SH2008-0027 DRWN: ALLIN 2007/07/13 CHKD: 2007/07/13 APPR: WWSCHANG 2007/07/13	QUALITY SYMBOLS ▽=0 ◁=0	GENERAL TOLERANCES (UNLESS SPECIFIED)		DIMENSION STYLE MM ONLY		SCALE 1:1	DESIGN UNITS METRIC	THIRD ANGLE PROJECTION			
						DRAWN BY TOM		DATE 2005/03/26		TITLE 1.0MM PITCH FB DIMM 240 CKTS VERTICAL SOCKET	
						CHECKED BY ALLEN LIN		DATE 2005/03/27			
						APPROVED BY WILSON		DATE 2005/03/27		MOLEX INCORPORATED DOCUMENT NO. SD-48206-001 SHEET NO. 4 OF 6	
DRAFT WHERE APPLICABLE MUST REMAIN WITHIN DIMENSIONS				SEE TABLE							

MOLEX P/N	HOUSING MATERIAL	HOUSING COLOR	LATCH COLOR	ALIGN MODE	CONTACT		PCB THICKNESS	SOLDER-TAIL APPEARANCE
					PLATING			
48206-4001	NYLON46/BLUE (287U)	WHITE	METAL FORK-LOCK		15 MICRONCH	1.57MM	BRIGHT	
48206-4002					30 MICRONCH	1.57MM		
48206-4003					15 MICRONCH	2.36MM		
48206-4004					30 MICRONCH	2.36MM		
48206-4005					GOLD FLASH	1.57MM		
48206-4006	NYLON46/BLUE (287U)	WHITE	PLASTIC POST		GOLD FLASH	2.36MM		
48206-4011					15 MICRONCH	1.57MM		
48206-4012					30 MICRONCH	1.57MM		
48206-4013					15 MICRONCH	2.36MM		
48206-4014					30 MICRONCH	2.36MM		
48206-4015	NYLON46/BLUE (287U)	BLACK	METAL FORK-LOCK		GOLD FLASH	1.57MM		
48206-4016					30 MICRONCH	2.36MM		
48206-4101					15 MICRONCH	1.57MM		
48206-4102					30 MICRONCH	1.57MM		
48206-4103					15 MICRONCH	2.36MM		
48206-4104	NYLON46/BLUE (287U)	BLACK	PLASTIC POST		30 MICRONCH	2.36MM		
48206-4105					GOLD FLASH	1.57MM		
48206-4106					GOLD FLASH	2.36MM		
48206-4111					15 MICRONCH	1.57MM		
48206-4112					30 MICRONCH	1.57MM		
48206-4113	NYLON66/BLACK	WHITE	METAL FORK-LOCK		15 MICRONCH	1.57MM		
48206-5001					30 MICRONCH	2.36MM		
48206-5002					15 MICRONCH	2.36MM		
48206-5003					30 MICRONCH	2.36MM		
48206-5004					GOLD FLASH	1.57MM		
48206-5005	NYLON66/BLACK	WHITE	PLASTIC POST		GOLD FLASH	2.36MM		
48206-5006					15 MICRONCH	1.57MM		
48206-5011					30 MICRONCH	1.57MM		
48206-5012					15 MICRONCH	2.36MM		
48206-5013					30 MICRONCH	2.36MM		
48206-5014	NYLON66/BLACK	BLACK	METAL FORK-LOCK		GOLD FLASH	1.57MM		
48206-5015					30 MICRONCH	2.36MM		
48206-5016					GOLD FLASH	2.36MM		
48206-5101					15 MICRONCH	1.57MM		
48206-5102					30 MICRONCH	1.57MM		
48206-5103	NYLON66/BLACK	BLACK	PLASTIC POST		15 MICRONCH	2.36MM		
48206-5104					30 MICRONCH	2.36MM		
48206-5105					GOLD FLASH	1.57MM		
48206-5106					GOLD FLASH	2.36MM		
48206-5111					15 MICRONCH	1.57MM		
48206-5112	NYLON66/BLACK	BLACK	PLASTIC POST		30 MICRONCH	1.57MM		
48206-5113					15 MICRONCH	2.36MM		
48206-5114					30 MICRONCH	2.36MM		
48206-5115					GOLD FLASH	1.57MM		
48206-5116					GOLD FLASH	2.36MM		

MOLEX P/N	HOUSING MATERIAL	HOUSING COLOR	LATCH COLOR	ALIGN MODE	CONTACT		PCB THICKNESS	SOLDER-TAIL APPEARANCE
					PLATING			
48206-6001	NYLON66/WHITE	WHITE	METAL FORK-LOCK		15 MICRONCH	1.57MM	BRIGHT	
48206-6002					30 MICRONCH	1.57MM		
48206-6003					15 MICRONCH	2.36MM		
48206-6004					30 MICRONCH	2.36MM		
48206-6005					GOLD FLASH	1.57MM		
48206-6006	NYLON66/WHITE	WHITE	PLASTIC POST		GOLD FLASH	2.36MM		
48206-6011					15 MICRONCH	1.57MM		
48206-6012					30 MICRONCH	1.57MM		
48206-6013					15 MICRONCH	2.36MM		
48206-6014					30 MICRONCH	2.36MM		
48206-6015	NYLON66/WHITE	BLACK	METAL FORK-LOCK		GOLD FLASH	1.57MM		
48206-6016					30 MICRONCH	2.36MM		
48206-6101					15 MICRONCH	1.57MM		
48206-6102					30 MICRONCH	1.57MM		
48206-6103					15 MICRONCH	2.36MM		
48206-6104	NYLON66/WHITE	BLACK	PLASTIC POST		30 MICRONCH	2.36MM		
48206-6105					GOLD FLASH	1.57MM		
48206-6106					GOLD FLASH	2.36MM		
48206-6111					15 MICRONCH	1.57MM		
48206-6112					30 MICRONCH	1.57MM		
48206-6113	NYLON66/GREEN (348C)	WHITE	METAL FORK-LOCK		15 MICRONCH	1.57MM		
48206-7001					30 MICRONCH	2.36MM		
48206-7002					15 MICRONCH	2.36MM		
48206-7003					30 MICRONCH	2.36MM		
48206-7004					GOLD FLASH	1.57MM		
48206-7005	NYLON66/GREEN (348C)	WHITE	PLASTIC POST		GOLD FLASH	2.36MM		
48206-7006					15 MICRONCH	1.57MM		
48206-7011					30 MICRONCH	1.57MM		
48206-7012					15 MICRONCH	2.36MM		
48206-7013					30 MICRONCH	2.36MM		
48206-7014	NYLON66/GREEN (348C)	BLACK	METAL FORK-LOCK		GOLD FLASH	1.57MM		
48206-7015					30 MICRONCH	2.36MM		
48206-7016					GOLD FLASH	2.36MM		
48206-7101					15 MICRONCH	1.57MM		
48206-7102					30 MICRONCH	1.57MM		
48206-7103	NYLON66/GREEN (348C)	BLACK	PLASTIC POST		15 MICRONCH	2.36MM		
48206-7104					30 MICRONCH	2.36MM		
48206-7105					GOLD FLASH	1.57MM		
48206-7106					GOLD FLASH	2.36MM		
48206-7111					15 MICRONCH	1.57MM		
48206-7112	NYLON66/GREEN (348C)	BLACK	PLASTIC POST		30 MICRONCH	1.57MM		
48206-7113					15 MICRONCH	2.36MM		
48206-7114					30 MICRONCH	2.36MM		
48206-7115					GOLD FLASH	1.57MM		
48206-7116					GOLD FLASH	2.36MM		

SEE SHEET 1 EC NO: SH2008-0027 DRAWN: L L IN CHKD: APPR: WMSCHANG	2007/07/13	QUALITY SYMBOLS ▽=0 △=0
	2007/07/13	
	2007/07/13	
	2007/07/13	
REV	DESCRIPTION	

GENERAL TOLERANCES (UNLESS SPECIFIED)	
mm	INCH
4 PLACES ± .005	± .0005
3 PLACES ± .005	± .0005
2 PLACES ± 0.25	± .010
1 PLACE ± 0.25	± .010
ANGULAR ± 3°	
DRAFT WHERE APPLICABLE MUST REMAIN WITHIN DIMENSIONS	

DIMENSION STYLE	
MM ONLY	
DRAWN BY	DATE
TOM	2005/03/26
CHECKED BY	DATE
ALLEN L IN	2005/03/27
APPROVED BY	DATE
WILSON	2005/03/27
MATERIAL NO.	
SEE TABLE	
SIZE	
A3	

SCALE	DESIGN UNITS	THIRD ANGLE PROJECTION
1:1	METRIC	☉ □
TITLE		
1.0MM PITCH FB DIMM		
240 CKTS VERTICAL SOCKET		
MOLEX INCORPORATED		
DOCUMENT NO.		SHEET NO.
SD-48206-001		5 OF 6
THIS DRAWING CONTAINS INFORMATION THAT IS PROPRIETARY TO MOLEX INCORPORATED AND SHOULD NOT BE USED WITHOUT WRITTEN PERMISSION		

10 9 8 7 6 5 4 3 2 1

F

E

D

C

B

A

F

E

D

C

B

A

MOLEX P/N	HOUSING MATERIAL	HOUSING COLOR	LATCH COLOR	ALIGN MODE	CONTACT		SOLDER-TAIL APPEARANCE
					PLATING	PCB THICKNESS	
48206-8001	NYLON66/PURPLE (2736U)	WHITE	METAL FORK-LOCK		15 MICRONCH	157MM	BRIGHT
48206-8002					30 MICRONCH	157MM	
48206-8003					15 MICRONCH	2.36MM	
48206-8004					30 MICRONCH	2.36MM	
48206-8005					GOLD FLASH	157MM	
48206-8006	GOLD FLASH	2.36MM					
48206-8011	NYLON66/PURPLE (2736U)	WHITE	PLASTIC POST		15 MICRONCH	157MM	
48206-8012					30 MICRONCH	157MM	
48206-8013					15 MICRONCH	2.36MM	
48206-8014					30 MICRONCH	2.36MM	
48206-8015					GOLD FLASH	157MM	
48206-8016	GOLD FLASH	2.36MM					
48206-8101	NYLON66/PURPLE (2736U)	BLACK	METAL FORK-LOCK		15 MICRONCH	157MM	
48206-8102					30 MICRONCH	157MM	
48206-8103					15 MICRONCH	2.36MM	
48206-8104					30 MICRONCH	2.36MM	
48206-8105					GOLD FLASH	157MM	
48206-8106	GOLD FLASH	2.36MM					
48206-8111	NYLON66/PURPLE (2736U)	BLACK	PLASTIC POST		15 MICRONCH	157MM	
48206-8112					30 MICRONCH	157MM	
48206-8113					15 MICRONCH	2.36MM	
48206-8114					30 MICRONCH	2.36MM	
48206-8115					GOLD FLASH	157MM	
48206-8116	GOLD FLASH	2.36MM					
48206-9001	NYLON66/BLUE (287U)	WHITE	METAL FORK-LOCK		15 MICRONCH	157MM	
48206-9002					30 MICRONCH	157MM	
48206-9003					15 MICRONCH	2.36MM	
48206-9004					30 MICRONCH	2.36MM	
48206-9005					GOLD FLASH	157MM	
48206-9006	GOLD FLASH	2.36MM					
48206-9011	NYLON66/BLUE (287U)	WHITE	PLASTIC POST		15 MICRONCH	157MM	
48206-9012					30 MICRONCH	157MM	
48206-9013					15 MICRONCH	2.36MM	
48206-9014					30 MICRONCH	2.36MM	
48206-9015					GOLD FLASH	157MM	
48206-9016	GOLD FLASH	2.36MM					
48206-9101	NYLON66/BLUE (287U)	BLACK	METAL FORK-LOCK		15 MICRONCH	157MM	
48206-9102					30 MICRONCH	157MM	
48206-9103					15 MICRONCH	2.36MM	
48206-9104					30 MICRONCH	2.36MM	
48206-9105					GOLD FLASH	157MM	
48206-9106	GOLD FLASH	2.36MM					
48206-9111	NYLON66/BLUE (287U)	BLACK	PLASTIC POST		15 MICRONCH	157MM	
48206-9112					30 MICRONCH	157MM	
48206-9113					15 MICRONCH	2.36MM	
48206-9114					30 MICRONCH	2.36MM	
48206-9115					GOLD FLASH	157MM	
48206-9116	GOLD FLASH	2.36MM					

MOLEX P/N	HOUSING MATERIAL	HOUSING COLOR	LATCH COLOR	ALIGN MODE	CONTACT		SOLDER-TAIL APPEARANCE
					PLATING	PCB THICKNESS	
48206-0007	NYLON46/BLACK	WHITE	METAL FORK-LOCK		15 MICRONCH	157MM	MATT
48206-0008					15 MICRONCH	2.36MM	

SEE SHEET 1	EC NO: SH2008-0027	2007/07/13	2007/07/13
	DRWN:ALLIN	2007/07/13	2007/07/13
	CHKD:		
	APPR:WWSCHANG	2007/07/13	
REV	DESCRIPTION		

QUALITY SYMBOLS	▽=0
	△=0

GENERAL TOLERANCES (UNLESS SPECIFIED)	mm	INCH
4 PLACES	± .005	± .0004
3 PLACES	± .005	± .0004
2 PLACES	± 0.25	± .010
1 PLACE	± 0.25	± .010
ANGULAR ± 3 °		
DRAFT WHERE APPLICABLE MUST REMAIN WITHIN DIMENSIONS		

DIMENSION STYLE		SCALE	DESIGN UNITS	THIRD ANGLE PROJECTION
MM ONLY		1:1	METRIC	
DRAWN BY	DATE	TITLE		
TOM	2005/03/26	1.0MM PITCH FB DIMM		
CHECKED BY	DATE	240 CKTS VERTICAL SOCKET		
ALLEN LIN	2005/03/27			
APPROVED BY	DATE	MOLEX INCORPORATED		
WILSON	2005/03/27			
MATERIAL NO.	DOCUMENT NO.	SHEET NO.		
	SD-48206-001	6 OF 6		
SIZE	THIS DRAWING CONTAINS INFORMATION THAT IS PROPRIETARY TO MOLEX INCORPORATED AND SHOULD NOT BE USED WITHOUT WRITTEN PERMISSION			
A3				

9 8 7 6 5 4 3 2 1