



Chipsmall Limited consists of a professional team with an average of over 10 year of expertise in the distribution of electronic components. Based in Hongkong, we have already established firm and mutual-benefit business relationships with customers from,Europe,America and south Asia,supplying obsolete and hard-to-find components to meet their specific needs.

With the principle of “Quality Parts,Customers Priority,Honest Operation,and Considerate Service”,our business mainly focus on the distribution of electronic components. Line cards we deal with include Microchip,ALPS,ROHM,Xilinx,Pulse,ON,Everlight and Freescale. Main products comprise IC,Modules,Potentiometer,IC Socket,Relay,Connector.Our parts cover such applications as commercial,industrial, and automotives areas.

We are looking forward to setting up business relationship with you and hope to provide you with the best service and solution. Let us make a better world for our industry!



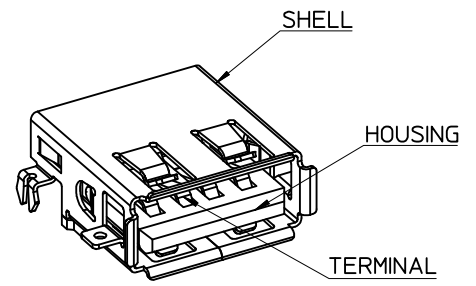
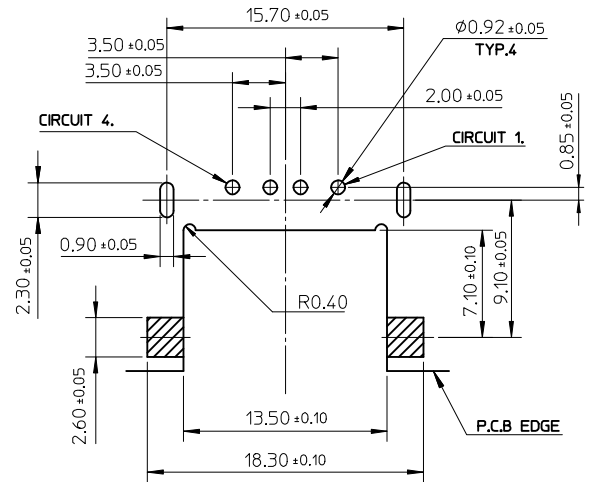
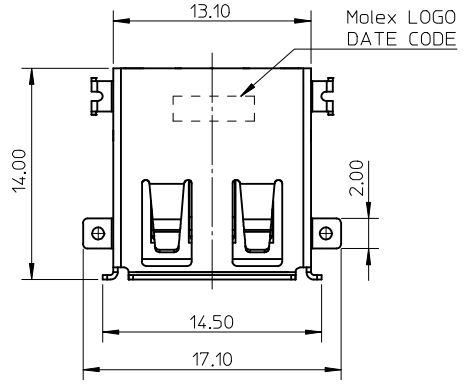
Contact us

Tel: +86-755-8981 8866 Fax: +86-755-8427 6832

Email & Skype: info@chipsmall.com Web: www.chipsmall.com

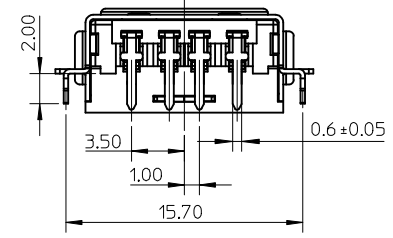
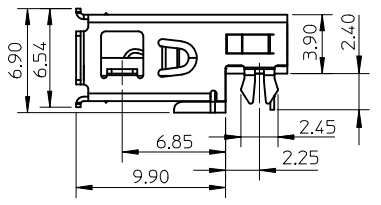
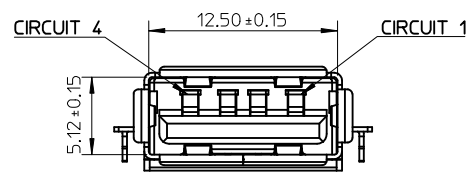
Address: A1208, Overseas Decoration Building, #122 Zhenhua RD., Futian, Shenzhen, China





- NOTES:
- MATERIAL:
 - HOUSING: LCP, FIBER GLASS FILLED, UL94V-0, COLOR:BLACK.
 - TERMINAL: PHOSPHOR BRONZE.
 - METAL SHELL: BRASS.
 - FINISH:
 - TERMINAL:
 - SELECTIVE GOLD(Au) IN CONTACT AREA, THICKNESS=30 MICROINCH MINIMUM;
 - SELECTIVE TIN IN SOLDER TAIL AREA, THICKNESS=100 MICROINCH MINIMUM;
 - NICKEL(Ni) OVERALL.
 - METAL SHELL:
 - NICKEL(Ni) OVERALL;
 - THICKNESS=30 MICROINCH MINIMUM;
 - UNDER PLATED: COPPER(Cu) OVERALL.
 - PRODUCT SPECIFICATION REFER TO PS-48258-001.
 - PACKAGE SPECIFICATION REFER TO PK-48258-002.
 - TEST SUMMARY REFER TO TS-48258-001
 - COPLANARITY TO BE 0.10 mm MAX.
 - LEAD FREE AND RoHS COMPLIANT PRODUCT.
 - DATE CODE:
 - X X X X X
 - DAY
 - WEEK
 - YEAR

RECOMMENDED PCB LAYOUT
THICKNESS:1.60MM



RELEASE EC NO: SH2013-0324 DRAWN: YANG05 CHKD: APPR: RZHANG 2013/03/28 2013/05/17	QUALITY SYMBOLS F _A =0 F _B =0 F _C =0	GENERAL TOLERANCES (UNLESS SPECIFIED)		DIMENSION STYLE MM ONLY		SCALE 1:1	DESIGN UNITS METRIC	THIRD ANGLE PROJECTION			
		4 PLACES ± --- ± ---	mm INCH	DRAWN BY TOO YANG	DATE 2009/05/12	TITLE USB A SINK REVERSE TYPE					
		3 PLACES ± --- ± ---		CHECKED BY DATE		MOLEX MOLEX INCORPORATED					
		2 PLACES ± 0.25 ± --- 1 PLACE ± 0.25 ± ---		APPROVED BY ROST ZHANG		DATE 2009/05/12	DOCUMENT NO. SD-48258-002				SHEET NO. 1 OF 1
		ANGULAR ± 2 °		MATERIAL NO. 48258-0002		THIS DRAWING CONTAINS INFORMATION THAT IS PROPRIETARY TO MOLEX INCORPORATED AND SHOULD NOT BE USED WITHOUT WRITTEN PERMISSION					
DRAFT WHERE APPLICABLE MUST REMAIN WITHIN DIMENSIONS											