



Chipsmall Limited consists of a professional team with an average of over 10 year of expertise in the distribution of electronic components. Based in Hongkong, we have already established firm and mutual-benefit business relationships with customers from,Europe,America and south Asia,supplying obsolete and hard-to-find components to meet their specific needs.

With the principle of "Quality Parts,Customers Priority,Honest Operation,and Considerate Service",our business mainly focus on the distribution of electronic components. Line cards we deal with include Microchip,ALPS,ROHM,Xilinx,Pulse,ON,Everlight and Freescale. Main products comprise IC,Modules,Potentiometer,IC Socket,Relay,Connector.Our parts cover such applications as commercial,industrial, and automotives areas.

We are looking forward to setting up business relationship with you and hope to provide you with the best service and solution. Let us make a better world for our industry!



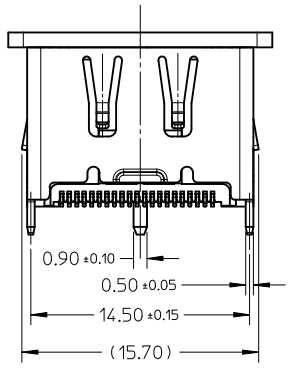
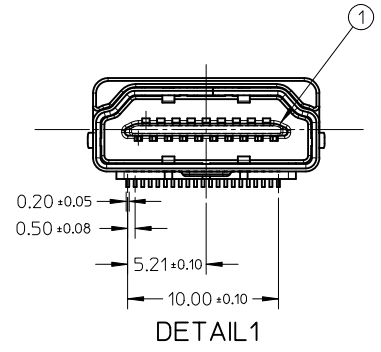
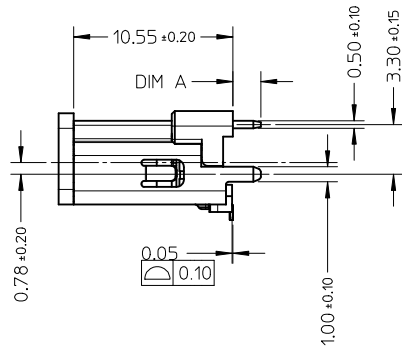
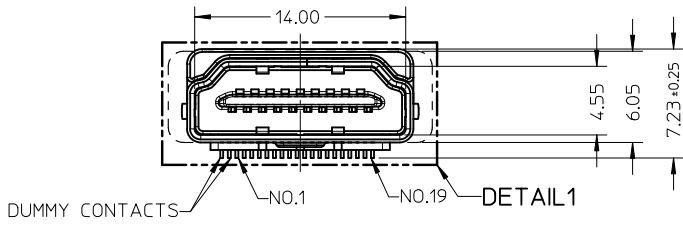
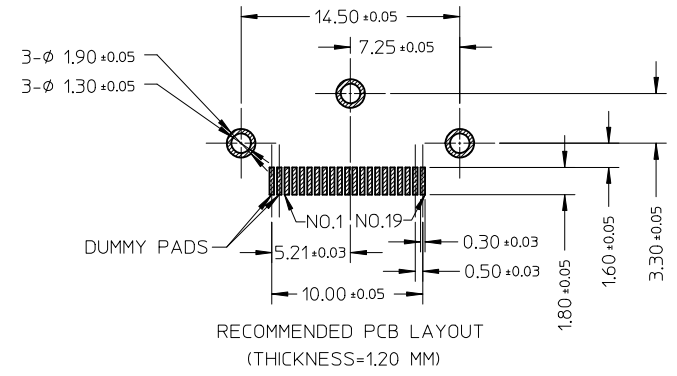
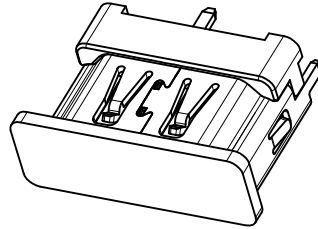
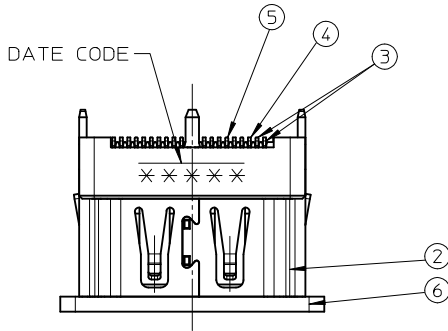
Contact us

Tel: +86-755-8981 8866 Fax: +86-755-8427 6832

Email & Skype: info@chipsmall.com Web: www.chipsmall.com

Address: A1208, Overseas Decoration Building, #122 Zhenhua RD., Futian, Shenzhen, China





| | | | | | | | | |
|---|--|--------------------|--|---|--|-------|--|------------------------|
| NEW RELEASE EC NO: S2012-0664 DRWN: JZENG CHKD: JESSIECHUA APPR: MAGESHKN | 2012/02/29 2012/03/29 2012/04/03 | DESCRIPTION REV | QUALITY SYMBOLS | GENERAL TOLERANCES (UNLESS SPECIFIED) | DIMENSION STYLE | SCALE | DESIGN UNITS | THIRD ANGLE PROJECTION |
| | | | $\nabla=0$ $\sphericalangle=0$ | mm INCH 4 PLACES ± --- ± --- 3 PLACES ± --- ± --- 2 PLACES ± 0.15 ± --- 1 PLACE ± 0.15 ± --- ANGULAR ± --- ° | MM ONLY | 3:1 | METRIC | |
| | | | DRAFT WHERE APPLICABLE MUST REMAIN WITHIN DIMENSIONS | DRAWN BY: KCWEI CHECKED BY: KCWEI APPROVED BY: RZHANG MATERIAL NO. | DATE: 2010/03/22 DATE: 2010/03/22 DATE: 2010/05/13 | TITLE | SALES DRAWING VERTICAL HDMI RECEPT. | |
| | | | SEE TABLE | MOLEX INCORPORATED DOCUMENT NO. SD-48307-905 SHEET NO. 1 OF 2 | | | | |

| 10 | 9 | 8 | 7 | 6 | 5 | 4 | 3 | 2 | 1 |
|------------|--------------|-----------------|------|----------------------|---|---|---|---|------------------------------------|
| MOLEX P/N | PACKAGE TYPE | PACKAGE DRAWING | ITEM | DESCRIPTION | MATERIAL | FINISH | | | Q'TY |
| 48307-50*2 | TAPE REEL | PK-48307-905 | ⑥ | PICK AND PLACE COVER | LIQUID CRYSTAL POLYMER, GLASS FILLED, UL94V-0, COLOR: BLACK | NONE | | | 1 |
| | | | ⑤ | UPPER CONTACT | BRASS | GOLD FLASH PLATED. ON CONTACT AREA; TIN PLATED 3.048 MICROMETER MIN. ON SOLDER AREA; NICKEL UNDERPLATING OVERALL. | | | 9 |
| | | | ④ | LOWER CONTACT | | | | | 10 |
| | | | ③ | DUMMY CONTACT | BRASS | TIN PLATED 3.048 MICROMETER MIN. ON SOLDER AREA; NICKEL UNDERPLATING OVERALL. | | | 2 |
| | | | ② | SHELL | | | | | SOLDERABLE NICKEL PLATING OVERALL. |
| | | | ① | HOUSING | LIQUID CRYSTAL POLYMER, GLASS FILLED, UL94V-0, COLOR: BLACK | NONE | | | 1 |

NOTES:

1. MATERIAL: SEE TABLE.
2. PLATING: SEE TABLE.
3. PACKAGING SPECIFICATION : SEE TABLE.
4. PRODUCT SPECIFICATION REFER TO PS-48307-901
5. DATE CODE LOCATION AND THE ID MEAN AS BELOW:

* ** * *
 ↓ ↓ ↓ ↓
 YEAR WEEK DAY SHIFT

6. LEAD-FREE AND RoHS COMPLIANT PRODUCT

| | |
|-------------|-----------|
| 48307-5022 | 0.88±0.20 |
| 48307-5012 | 1.85±0.20 |
| PART NUMBER | DIM A |

| | | | | | | | | | | | | |
|---|--|--------------------|---------------------|---------------------------------------|--|---|--|-------------------------------------|-------------------------------|----------------------------|--|--|
| NEW RELEASE EC NO: S2012-0664 DRWN: ZENG CHKD: JESSIECHUA APPR: MAGESHKN | 2012/02/29 2012/03/29 2012/04/03 | DESCRIPTION REV | QUALITY SYMBOLS | GENERAL TOLERANCES (UNLESS SPECIFIED) | | DIMENSION STYLE MM ONLY | | SCALE 1:1 | DESIGN UNITS METRIC | THIRD ANGLE PROJECTION | | |
| | | | | | | | | | | | | |
| | | | | | | | | | | | | |
| | | | | | | | | | | | | |
| DRAFT WHERE APPLICABLE MUST REMAIN WITHIN DIMENSIONS | | | | SEE TABLE | | MATERIAL NO. SD-48307-905 | | DOCUMENT NO. SD-48307-905 | | SHEET NO. 2 OF 2 | | |
| A1 | | | | SIZE A3 | | THIS DRAWING CONTAINS INFORMATION THAT IS PROPRIETARY TO MOLEX INCORPORATED AND SHOULD NOT BE USED WITHOUT WRITTEN PERMISSION | | | | | | |