



Chipsmall Limited consists of a professional team with an average of over 10 year of expertise in the distribution of electronic components. Based in Hongkong, we have already established firm and mutual-benefit business relationships with customers from,Europe,America and south Asia,supplying obsolete and hard-to-find components to meet their specific needs.

With the principle of “Quality Parts,Customers Priority,Honest Operation,and Considerate Service”,our business mainly focus on the distribution of electronic components. Line cards we deal with include Microchip,ALPS,ROHM,Xilinx,Pulse,ON,Everlight and Freescale. Main products comprise IC,Modules,Potentiometer,IC Socket,Relay,Connector.Our parts cover such applications as commercial,industrial, and automotives areas.

We are looking forward to setting up business relationship with you and hope to provide you with the best service and solution. Let us make a better world for our industry!



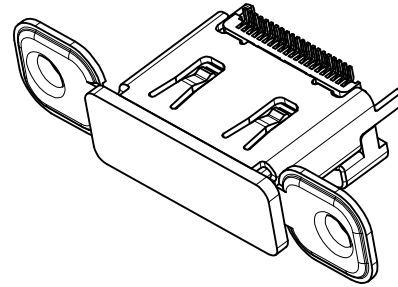
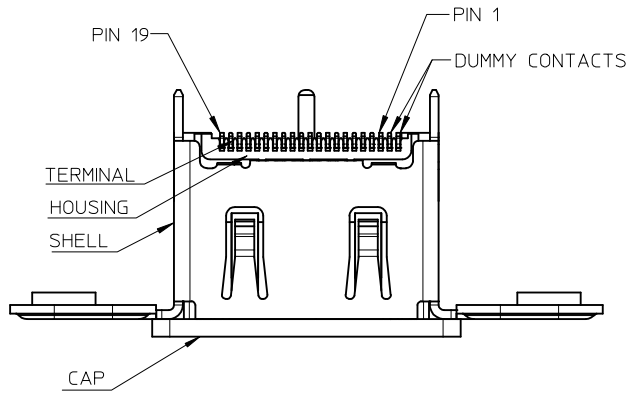
## Contact us

Tel: +86-755-8981 8866 Fax: +86-755-8427 6832

Email & Skype: info@chipsmall.com Web: www.chipsmall.com

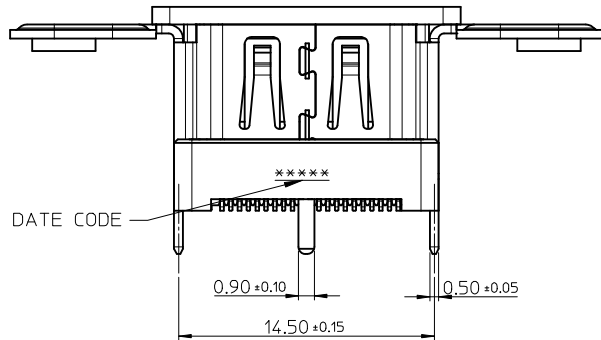
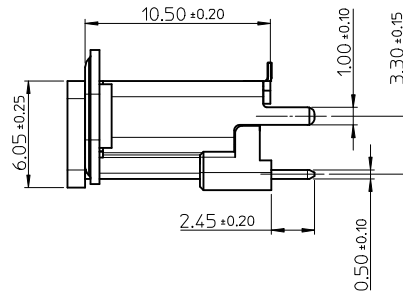
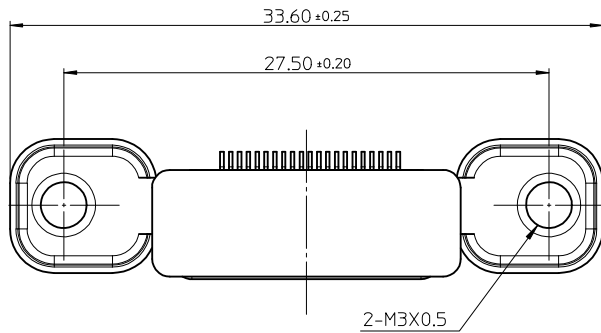
Address: A1208, Overseas Decoration Building, #122 Zhenhua RD., Futian, Shenzhen, China





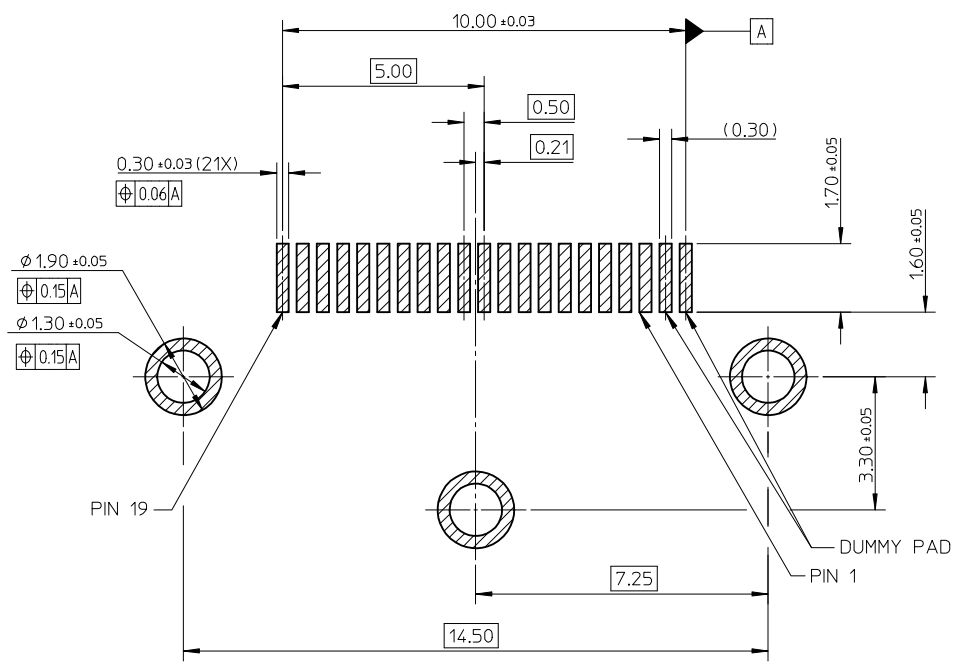
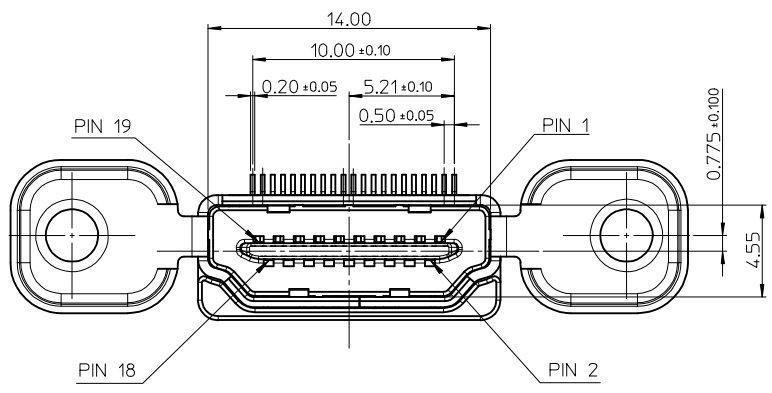
NOTES:

- MATERIAL:
  - HOUSING: GLASS FILLED HEAT RESISTED RESIN, UL94V-0.
  - TERMINAL: COPPER ALLOY.
  - SHELL: COPPER ALLOY.
  - CAP: GLASS FILLED HEAT RESISTED RESIN, UL94V-0.
- PLATING:
  - TERMINAL:
    - CONTACT AREA: GOLD FLASH PLATING,
    - SOLDER AREA: 1 MICROMETER MIN. MATTE TIN PLATING,
    - UNDERPLATE: 1 MICROMETER MIN. NICKEL PLATING OVERALL.
  - SHELL:
    - SOLDER AREA: 1 MICROMETER MIN. MATTE TIN PLATING,
    - UNDERPLATE: 1 MICROMETER MIN. NICKEL PLATING OVERALL.
- PRODUCT SPECIFICATION REFER TO PS-48307-901.
- PACKAGE REFER TO PK-48307-822.
- COPLANARITY OF SOLDER TAIL TO BE 0.1 MAX..
- THE PART CAN COMPLIANT TO ROHS DIRECTIVE 2002/95/EC AND ELV DIRECTIVE 2000/53/EC.



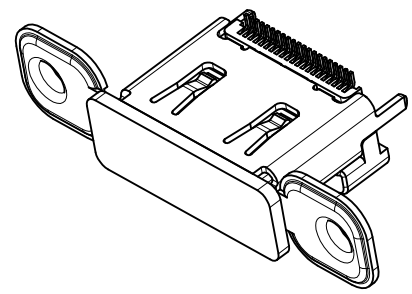
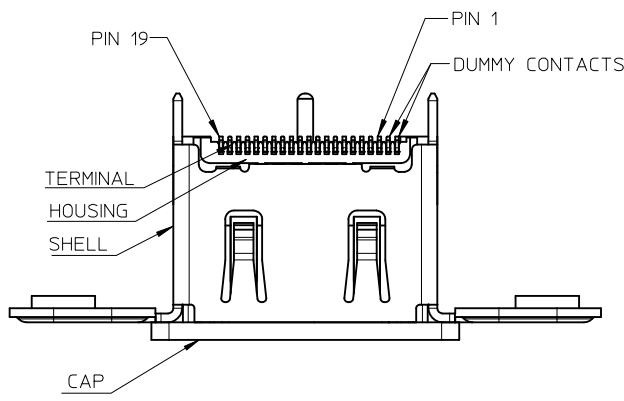
48307-8022	6T+STRUCTURE 2
48307-8012	LCP+STRUCTURE 1
PART NUMBER	CAP SOLUTION

REVISED EC NO: SH2009-0591 DRW:KWEI 2009/05/20 CHKD:RZHANG 2009/05/20 APPR:HWANG 2009/07/07	QUALITY SYMBOLS ▽=0 ◻=0	GENERAL TOLERANCES (UNLESS SPECIFIED)		DIMENSION STYLE MM ONLY		SCALE 1:10	DESIGN UNITS METRIC		THIRD ANGLE PROJECTION		
			mm	INCH	DRAWN BY	DATE	TITLE				
		4 PLACES	± ---	± ---	RZHANG	2008/08/12	SALES DRAWING VERTICAL HDMI RECEPT. WITHOUT SUPPORT MOLEX INCORPORATED				
		3 PLACES	± ---	± ---	CHECKED BY	DATE					
2 PLACES	± 0.25	± ---	RZHANG	2008/08/12	MATERIAL NO. 48307-80*2						
1 PLACE	± 0.25	± ---	APPROVED BY	DATE							
ANGULAR ± ---°		DRAFT WHERE APPLICABLE MUST REMAIN WITHIN DIMENSIONS		HWANG		2008/08/12	DOCUMENT NO.		SHEET NO.		
				SIZE		THIS DRAWING CONTAINS INFORMATION THAT IS PROPRIETARY TO MOLEX INCORPORATED AND SHOULD NOT BE USED WITHOUT WRITTEN PERMISSION					



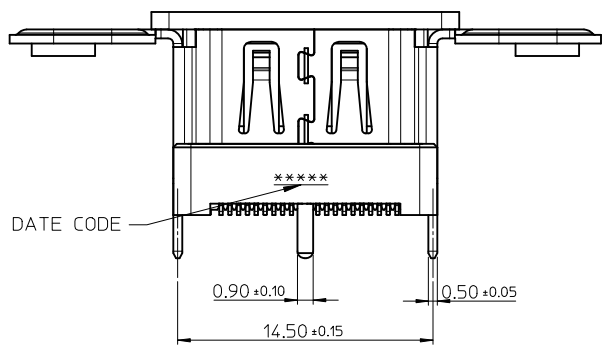
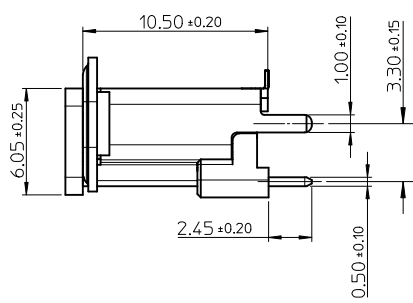
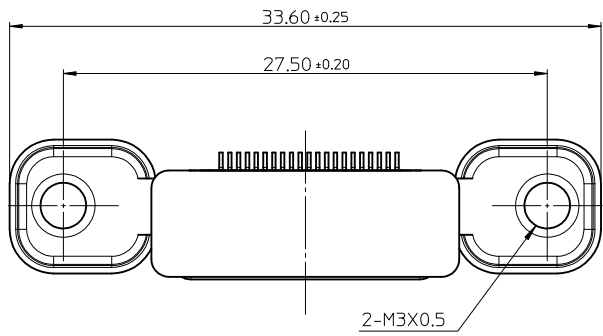
RECOMMENDED PCB LAYOUT  
THICKNESS IS 1.60MM

REVISED EC NO: SH2009-0591 DRW:KWEI 2009/05/20 CHK:RZHANG 2009/05/20 APPR:HWANG 2009/07/07	QUALITY SYMBOLS ▽=0 ◻=0	GENERAL TOLERANCES (UNLESS SPECIFIED)		DIMENSION STYLE MM ONLY		SCALE 4:1	DESIGN UNITS METRIC	THIRD ANGLE PROJECTION		
			mm	INCH	DRAWN BY	DATE	TITLE			
		4 PLACES	± ---	± ---	RZHANG	2008/08/12	SALES DRAWING VERTICAL HDMI RECEPT. WITHOUT SUPPORT			
		3 PLACES	± ---	± ---	CHECKED BY	DATE				
	± 0.25	± ---	RZHANG	2008/08/12	MOLEX INCORPORATED					
2 PLACES	± 0.25	± ---	APPROVED BY	DATE						
	± 0.25	± ---	HWANG	2008/08/12	SEE SHEET 1 SD-48307-822					
1 PLACE	± 0.25	± ---	ANGULAR ± ---°						MATERIAL NO.	
DRAFT WHERE APPLICABLE MUST REMAIN WITHIN DIMENSIONS		SIZE A3		THIS DRAWING CONTAINS INFORMATION THAT IS PROPRIETARY TO MOLEX INCORPORATED AND SHOULD NOT BE USED WITHOUT WRITTEN PERMISSION						



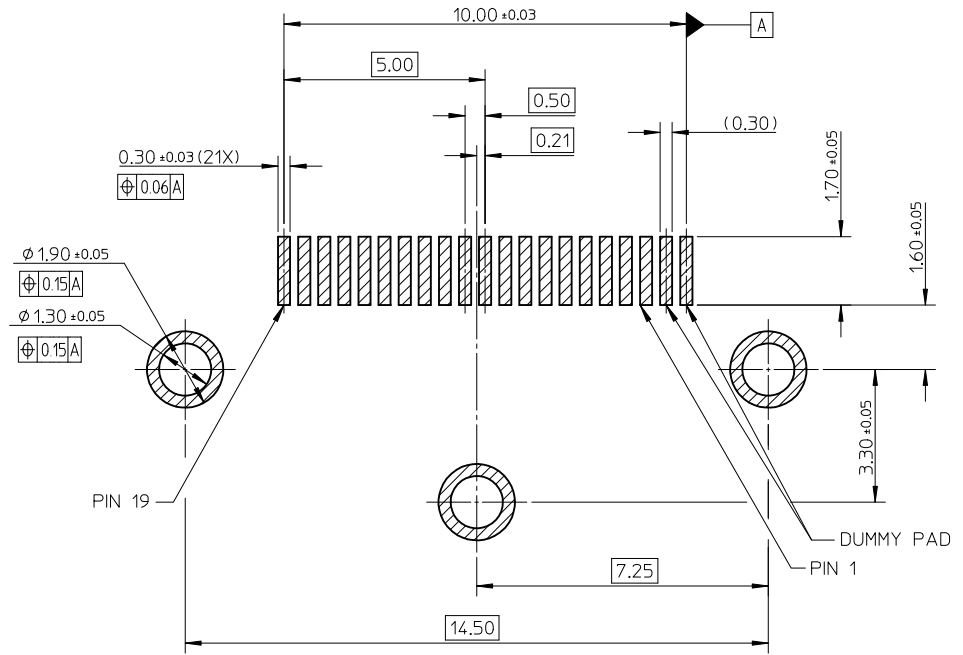
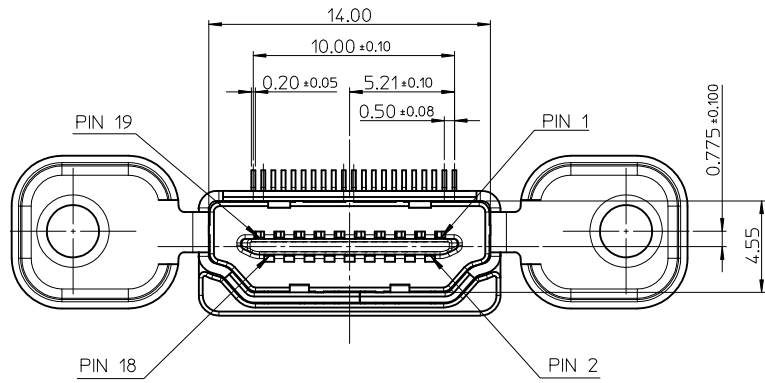
NOTES:

1. MATERIAL:
  - HOUSING: GLASS FILLED HEAT RESISTED RESIN, UL94V-0.
  - TERMINAL: COPPER ALLOY.
  - SHELL: COPPER ALLOY.
  - CAP: GLASS FILLED HEAT RESISTED RESIN, UL94V-0.
2. PLATING:
  - TERMINAL:
    - CONTACT AREA: GOLD FLASH PLATING,
    - SOLDER AREA: 1 MICROMETER MIN. MATTE TIN PLATING,
    - UNDERPLATE: 1 MICROMETER MIN. NICKEL PLATING OVERALL.
  - SHELL:
    - SOLDER AREA: 1 MICROMETER MIN. MATTE TIN PLATING,
    - UNDERPLATE: 1 MICROMETER MIN. NICKEL PLATING OVERALL.
3. PRODUCT SPECIFICATION REFER TO PS-48307-901.
4. PACKAGE REFER TO PK-48307-822.
5. COPLANARITY OF SOLDER TAIL TO BE 0.1 MAX..
6. THE PART CAN COMPLIANT TO ROHS DIRECTIVE 2002/95/EC AND ELV DIRECTIVE 2000/53/EC.



48307-8022	6T+STRUCTURE 2
48307-8012	LCP+STRUCTURE 1
PART NUMBER	CAP SOLUTION

REVISED EC NO: SH2010-0272 DRWN: KCWEI CHKD: RZHANG APPR: XJ.SONG	2010/01/19 2010/01/20 2010/01/25	QUALITY SYMBOLS ▽=0 ◻=0	GENERAL TOLERANCES (UNLESS SPECIFIED)		DIMENSION STYLE MM ONLY		SCALE 3.5:1	DESIGN UNITS METRIC	THIRD ANGLE PROJECTION	
			4 PLACES ± --- ± --- 3 PLACES ± --- ± --- 2 PLACES ± --- ± --- 1 PLACE ± --- ± ---	DRAWN BY RZHANG	DATE 2008/08/12	TITLE SALES DRAWING VERTICAL HDMI RECEPT. WITHOUT SUPPORT				
			ANGULAR ± --- °	CHECKED BY RZHANG	DATE 2008/08/12	MOLEX INCORPORATED				
			DRAFT WHERE APPLICABLE MUST REMAIN WITHIN DIMENSIONS	APPROVED BY HWWANG	DATE 2008/08/12	MATERIAL NO. 48307-80*2	DOCUMENT NO. SD-48307-822	SHEET NO. 1 OF 2		



RECOMMENDED PCB LAYOUT  
THICKNESS IS 1.60MM

REVISED EC NO: SH2010-0272 DRW: KWWEI CHK: RZHANG APPR: XJSONG	DESCRIPTION REV	QUALITY SYMBOLS ▽=0 ◻=0	GENERAL TOLERANCES (UNLESS SPECIFIED)		DIMENSION STYLE MM ONLY	SCALE 4:1	DESIGN UNITS METRIC	THIRD ANGLE PROJECTION			
			mm	INCH	DRAWN BY RZHANG	DATE 2008/08/12	TITLE SALES DRAWING VERTICAL HDMI RECEPT. WITHOUT SUPPORT				
			4 PLACES	± ---	± ---	CHECKED BY RZHANG	DATE 2008/08/12	MOLEX INCORPORATED			
			3 PLACES	± ---	± ---	APPROVED BY HWWANG	DATE 2008/08/12	DOCUMENT NO. SD-48307-822			
			2 PLACES	± ---	± ---	SHEET NO. 2 OF 2					
			1 PLACE	± ---	± ---	THIS DRAWING CONTAINS INFORMATION THAT IS PROPRIETARY TO MOLEX INCORPORATED AND SHOULD NOT BE USED WITHOUT WRITTEN PERMISSION					
			ANGULAR ± --- °								
			DRAFT WHERE APPLICABLE MUST REMAIN WITHIN DIMENSIONS								