



Chipsmall Limited consists of a professional team with an average of over 10 year of expertise in the distribution of electronic components. Based in Hongkong, we have already established firm and mutual-benefit business relationships with customers from,Europe,America and south Asia,supplying obsolete and hard-to-find components to meet their specific needs.

With the principle of “Quality Parts,Customers Priority,Honest Operation,and Considerate Service”,our business mainly focus on the distribution of electronic components. Line cards we deal with include Microchip,ALPS,ROHM,Xilinx,Pulse,ON,Everlight and Freescale. Main products comprise IC,Modules,Potentiometer,IC Socket,Relay,Connector.Our parts cover such applications as commercial,industrial, and automotives areas.

We are looking forward to setting up business relationship with you and hope to provide you with the best service and solution. Let us make a better world for our industry!



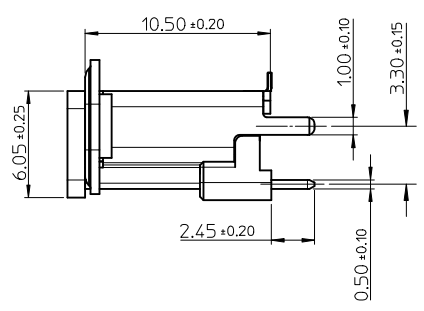
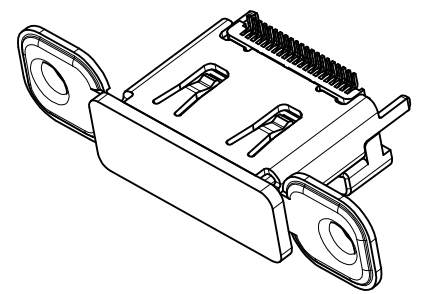
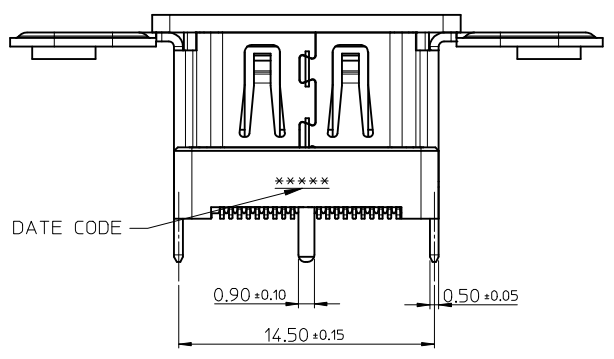
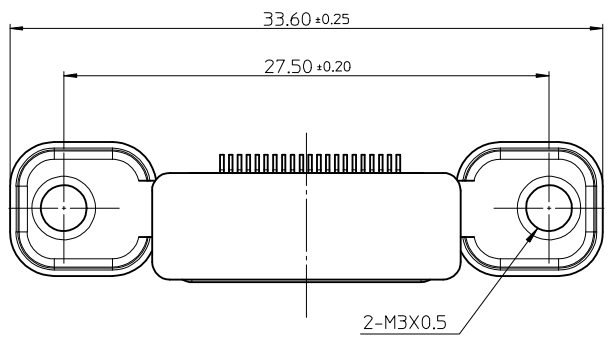
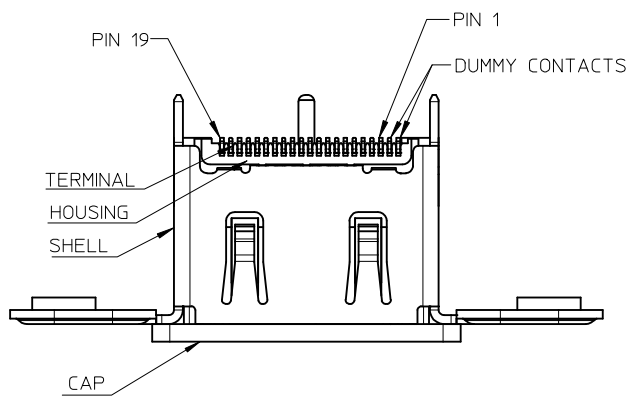
Contact us

Tel: +86-755-8981 8866 Fax: +86-755-8427 6832

Email & Skype: info@chipsmall.com Web: www.chipsmall.com

Address: A1208, Overseas Decoration Building, #122 Zhenhua RD., Futian, Shenzhen, China



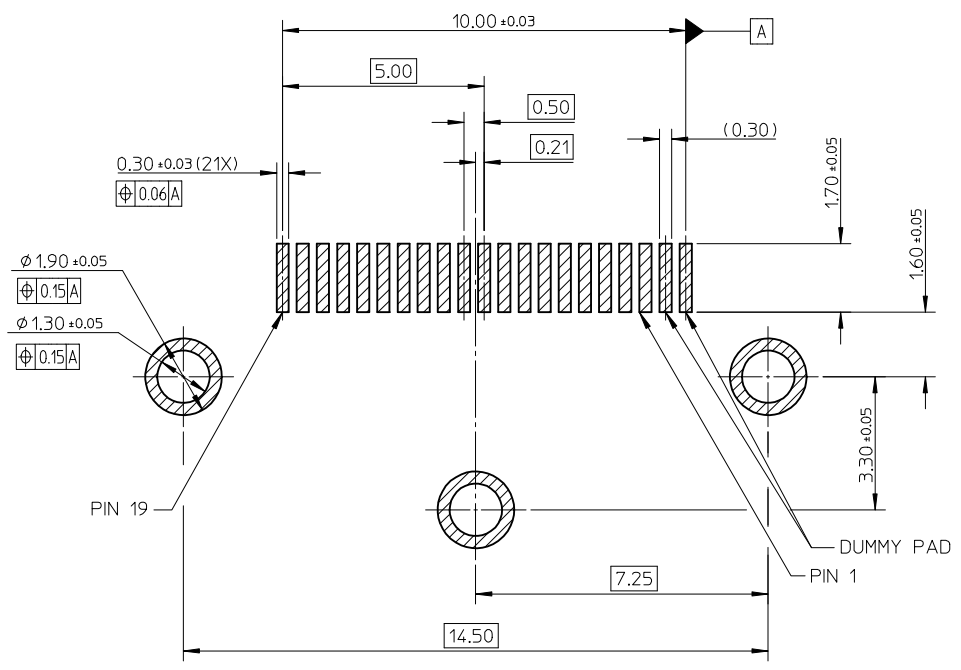
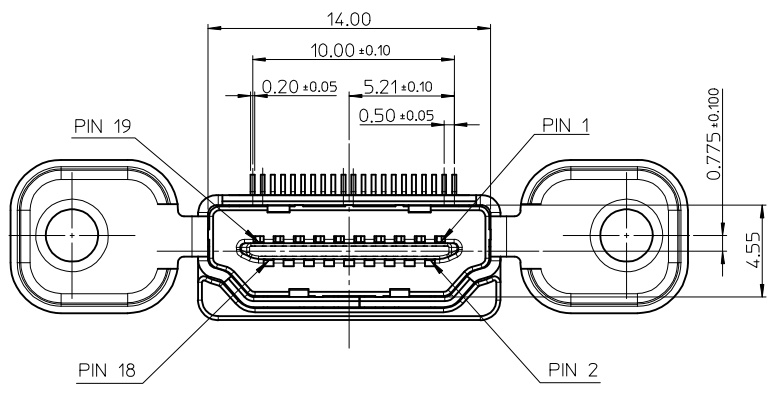


NOTES:

1. MATERIAL:
 - HOUSING: GLASS FILLED HEAT RESISTED RESIN, UL94V-0.
 - TERMINAL: COPPER ALLOY.
 - SHELL: COPPER ALLOY.
 - CAP: GLASS FILLED HEAT RESISTED RESIN, UL94V-0.
2. PLATING:
 - TERMINAL:
 - CONTACT AREA: GOLD FLASH PLATING,
 - SOLDER AREA: 1 MICROMETER MIN. MATTE TIN PLATING,
 - UNDERPLATE: 1 MICROMETER MIN. NICKEL PLATING OVERALL.
 - SHELL:
 - SOLDER AREA: 1 MICROMETER MIN. MATTE TIN PLATING,
 - UNDERPLATE: 1 MICROMETER MIN. NICKEL PLATING OVERALL.
3. PRODUCT SPECIFICATION REFER TO PS-48307-901.
4. PACKAGE REFER TO PK-48307-822.
5. COPLANARITY OF SOLDER TAIL TO BE 0.1 MAX..
6. THE PART CAN COMPLIANT TO ROHS DIRECTIVE 2002/95/EC AND ELV DIRECTIVE 2000/53/EC.

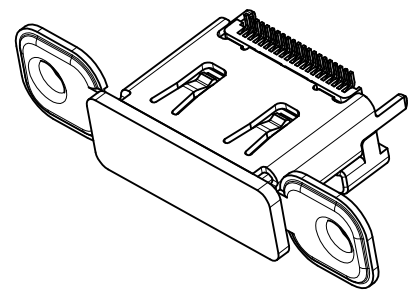
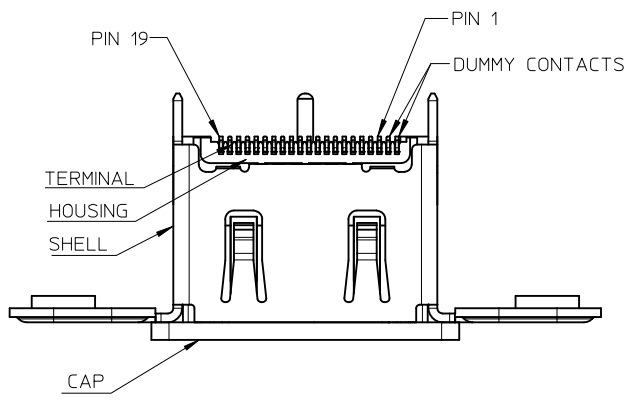
48307-8022	6T+STRUCTURE 2
48307-8012	LCP+STRUCTURE 1
PART NUMBER	CAP SOLUTION

REVISED EC NO: SH2009-0591 DRW:KWEI 2009/05/20 CHKD:RZHANG 2009/05/20 APPR:HWANG 2009/07/07	QUALITY SYMBOLS ▽=0 ◻=0	GENERAL TOLERANCES (UNLESS SPECIFIED)		DIMENSION STYLE MM ONLY		SCALE 1:10	DESIGN UNITS METRIC		THIRD ANGLE PROJECTION		
			mm	INCH	DRAWN BY	DATE	TITLE				
		4 PLACES	± ---	± ---	RZHANG	2008/08/12	SALES DRAWING VERTICAL HDMI RECEPT. WITHOUT SUPPORT MOLEX INCORPORATED				
		3 PLACES	± ---	± ---	CHECKED BY	DATE					
2 PLACES	± 0.25	± ---	RZHANG	2008/08/12	MATERIAL NO. 48307-80*2						
1 PLACE	± 0.25	± ---	APPROVED BY	DATE							
ANGULAR ± ---°				HWANG	2008/08/12	DOCUMENT NO.		SD-48307-822			
DRAFT WHERE APPLICABLE MUST REMAIN WITHIN DIMENSIONS				SIZE	THIS DRAWING CONTAINS INFORMATION THAT IS PROPRIETARY TO MOLEX INCORPORATED AND SHOULD NOT BE USED WITHOUT WRITTEN PERMISSION					SHEET NO. 1 OF 2	



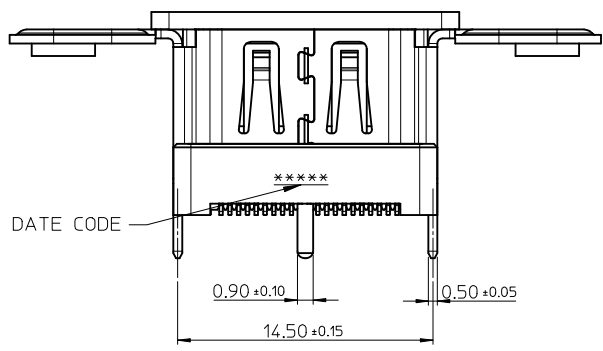
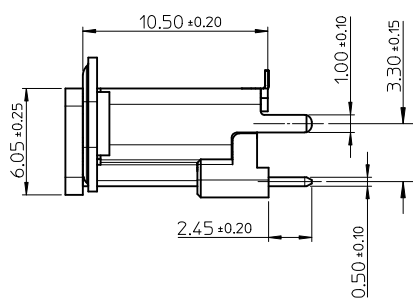
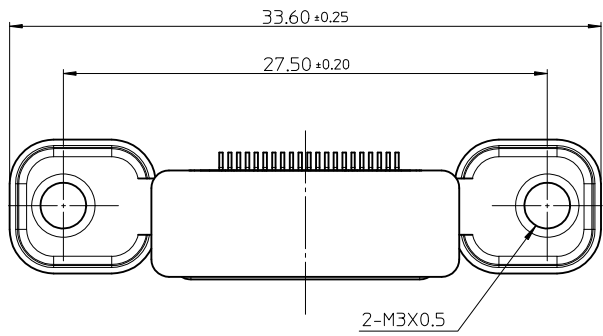
RECOMMENDED PCB LAYOUT
THICKNESS IS 1.60MM

REVISED EC NO: SH2009-0591 DRW:KWEI CHK:RZHANG APPR:HWANG	2009/05/20 2009/05/20 2009/07/07	DESCRIPTION REV	QUALITY SYMBOLS	GENERAL TOLERANCES (UNLESS SPECIFIED)	DIMENSION STYLE	SCALE	DESIGN UNITS	THIRD ANGLE PROJECTION
			▽=0 □=0	mm INCH 4 PLACES ± --- ± --- 3 PLACES ± --- ± --- 2 PLACES ± 0.25 ± --- 1 PLACE ± 0.25 ± --- ANGULAR ± ---°	MM ONLY	4:1	METRIC	
				DRAFT WHERE APPLICABLE MUST REMAIN WITHIN DIMENSIONS	DRAWN BY: RZHANG DATE: 2008/08/12 CHECKED BY: RZHANG DATE: 2008/08/12 APPROVED BY: HWANG DATE: 2008/08/12	TITLE	SALES DRAWING VERTICAL HDMI RECEPT. WITHOUT SUPPORT	
					MATERIAL NO. SEE SHEET 1 SIZE: A3 THIS DRAWING CONTAINS INFORMATION THAT IS PROPRIETARY TO MOLEX INCORPORATED AND SHOULD NOT BE USED WITHOUT WRITTEN PERMISSION	MOLEX INCORPORATED DOCUMENT NO. SD-48307-822 SHEET NO. 2 OF 2		



NOTES:

1. MATERIAL:
 - HOUSING: GLASS FILLED HEAT RESISTED RESIN, UL94V-0.
 - TERMINAL: COPPER ALLOY.
 - SHELL: COPPER ALLOY.
 - CAP: GLASS FILLED HEAT RESISTED RESIN, UL94V-0.
2. PLATING:
 - TERMINAL:
 - CONTACT AREA: GOLD FLASH PLATING,
 - SOLDER AREA: 1 MICROMETER MIN. MATTE TIN PLATING,
 - UNDERPLATE: 1 MICROMETER MIN. NICKEL PLATING OVERALL.
 - SHELL:
 - SOLDER AREA: 1 MICROMETER MIN. MATTE TIN PLATING,
 - UNDERPLATE: 1 MICROMETER MIN. NICKEL PLATING OVERALL.
3. PRODUCT SPECIFICATION REFER TO PS-48307-901.
4. PACKAGE REFER TO PK-48307-822.
5. COPLANARITY OF SOLDER TAIL TO BE 0.1 MAX..
6. THE PART CAN COMPLIANT TO ROHS DIRECTIVE 2002/95/EC AND ELV DIRECTIVE 2000/53/EC.



48307-8022	6T+STRUCTURE 2
48307-8012	LCP+STRUCTURE 1
PART NUMBER	CAP SOLUTION

REVISED EC NO: SH2010-0272 DRWN: KCWEI CHKD: RZHANG APPR: XJ.SONG	2010/01/19 2010/01/20 2010/01/25	DESCRIPTION REV	QUALITY SYMBOLS	GENERAL TOLERANCES (UNLESS SPECIFIED) 4 PLACES ± --- ± --- 3 PLACES ± --- ± --- 2 PLACES ± --- ± --- 1 PLACE ± --- ± --- ANGULAR ± --- ° DRAFT WHERE APPLICABLE MUST REMAIN WITHIN DIMENSIONS	DIMENSION STYLE	SCALE	DESIGN UNITS	THIRD ANGLE PROJECTION	
			mm		INCH	MM ONLY	3.5:1	METRIC	⊗
			DRAWN BY		DATE	TITLE	SALES DRAWING VERTICAL HDMI RECEPT. WITHOUT SUPPORT MOLEX INCORPORATED SD-48307-822		
			RZHANG		2008/08/12				
CHECKED BY	DATE		THIS DRAWING CONTAINS INFORMATION THAT IS PROPRIETARY TO MOLEX INCORPORATED AND SHOULD NOT BE USED WITHOUT WRITTEN PERMISSION						
RZHANG	2008/08/12								
APPROVED BY	DATE		MATERIAL NO. 48307-80*2						
HWWANG	2008/08/12								
			DOCUMENT NO.	SHEET NO.					
				1 OF 2					

10 9 8 7 6 5 4 3 2 1

F F

E E

D D

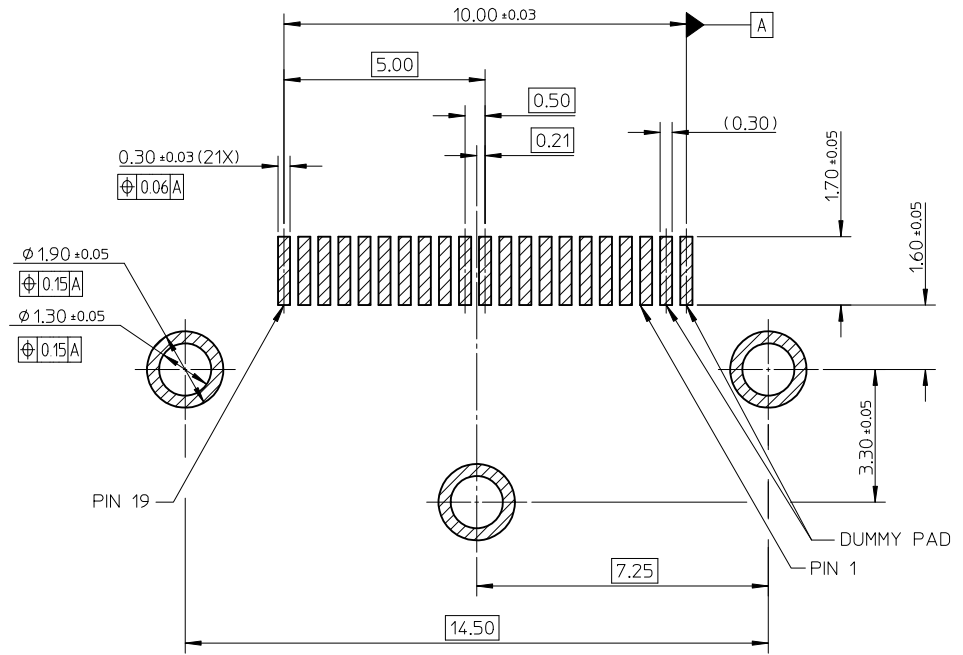
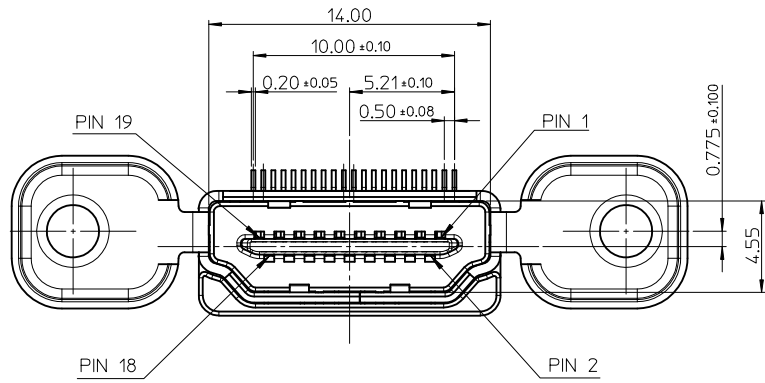
C C

B B

A A

9 8 7 6 5 4 3 2 1

ib_frame_A3_P_AM_T
Rev. F 2009/06/18



RECOMMENDED PCB LAYOUT
THICKNESS IS 1.60MM

REVISED EC NO: SH2010-0272 DRW: KWWEI CHK: RZHANG APPR: XJSONG	DESCRIPTION REV	QUALITY SYMBOLS	GENERAL TOLERANCES (UNLESS SPECIFIED)	DIMENSION STYLE	SCALE	DESIGN UNITS	THIRD ANGLE PROJECTION															
		$\nabla = 0$ $\sphericalangle = 0$	<table border="1"> <thead> <tr> <th></th> <th>mm</th> <th>INCH</th> </tr> </thead> <tbody> <tr> <td>4 PLACES</td> <td>± ---</td> <td>± ---</td> </tr> <tr> <td>3 PLACES</td> <td>± ---</td> <td>± ---</td> </tr> <tr> <td>2 PLACES</td> <td>± ---</td> <td>± ---</td> </tr> <tr> <td>1 PLACE</td> <td>± ---</td> <td>± ---</td> </tr> </tbody> </table>		mm	INCH	4 PLACES	± ---	± ---	3 PLACES	± ---	± ---	2 PLACES	± ---	± ---	1 PLACE	± ---	± ---	MM ONLY	4:1	METRIC	
			mm	INCH																		
		4 PLACES	± ---	± ---																		
3 PLACES	± ---	± ---																				
2 PLACES	± ---	± ---																				
1 PLACE	± ---	± ---																				
DRAFT WHERE APPLICABLE MUST REMAIN WITHIN DIMENSIONS	<table border="1"> <thead> <tr> <th></th> <th>DATE</th> <th>TITLE</th> </tr> </thead> <tbody> <tr> <td>DRAWN BY</td> <td>2008/08/12</td> <td rowspan="4">SALES DRAWING VERTICAL HDMI RECEPT. WITHOUT SUPPORT</td> </tr> <tr> <td>CHECKED BY</td> <td>2008/08/12</td> </tr> <tr> <td>APPROVED BY</td> <td>2008/08/12</td> </tr> <tr> <td>MATERIAL NO.</td> <td>2008/08/12</td> </tr> </tbody> </table>		DATE	TITLE	DRAWN BY	2008/08/12	SALES DRAWING VERTICAL HDMI RECEPT. WITHOUT SUPPORT	CHECKED BY	2008/08/12	APPROVED BY	2008/08/12	MATERIAL NO.	2008/08/12	<table border="1"> <tr> <td>MOLEX INCORPORATED</td> </tr> <tr> <td>DOCUMENT NO. SD-48307-822</td> </tr> <tr> <td>SHEET NO. 2 OF 2</td> </tr> </table>	MOLEX INCORPORATED	DOCUMENT NO. SD-48307-822	SHEET NO. 2 OF 2					
	DATE	TITLE																				
DRAWN BY	2008/08/12	SALES DRAWING VERTICAL HDMI RECEPT. WITHOUT SUPPORT																				
CHECKED BY	2008/08/12																					
APPROVED BY	2008/08/12																					
MATERIAL NO.	2008/08/12																					
MOLEX INCORPORATED																						
DOCUMENT NO. SD-48307-822																						
SHEET NO. 2 OF 2																						
SIZE A3	THIS DRAWING CONTAINS INFORMATION THAT IS PROPRIETARY TO MOLEX INCORPORATED AND SHOULD NOT BE USED WITHOUT WRITTEN PERMISSION																					

ib_frame_A3_P_AM_T
Rev. F 2009/06/18