



Chipsmall Limited consists of a professional team with an average of over 10 year of expertise in the distribution of electronic components. Based in Hongkong, we have already established firm and mutual-benefit business relationships with customers from,Europe,America and south Asia,supplying obsolete and hard-to-find components to meet their specific needs.

With the principle of "Quality Parts,Customers Priority,Honest Operation,and Considerate Service",our business mainly focus on the distribution of electronic components. Line cards we deal with include Microchip,ALPS,ROHM,Xilinx,Pulse,ON,Everlight and Freescale. Main products comprise IC,Modules,Potentiometer,IC Socket,Relay,Connector.Our parts cover such applications as commercial,industrial, and automotives areas.

We are looking forward to setting up business relationship with you and hope to provide you with the best service and solution. Let us make a better world for our industry!



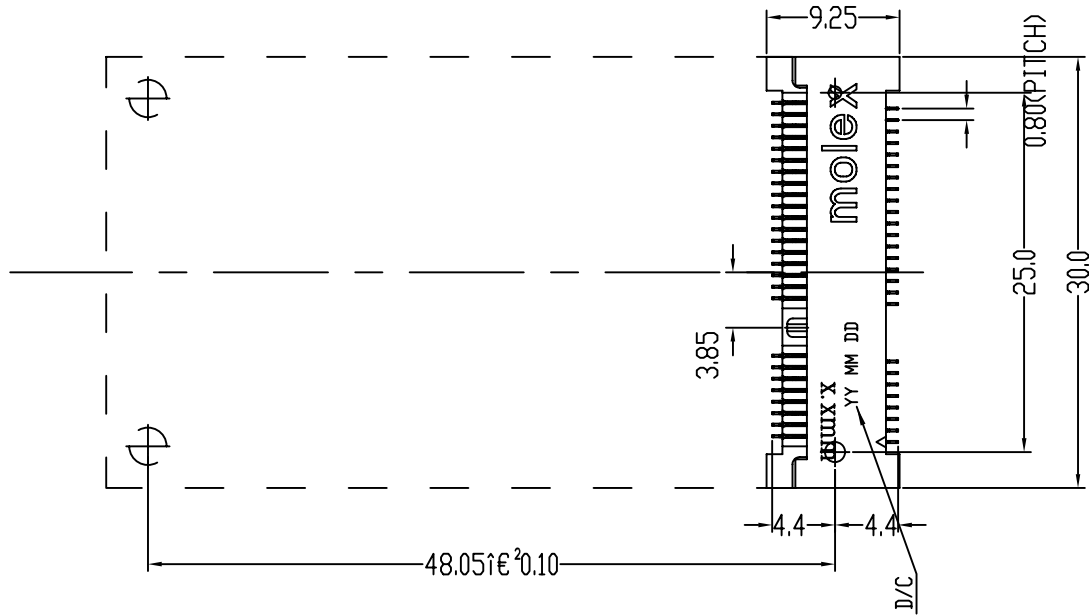
Contact us

Tel: +86-755-8981 8866 Fax: +86-755-8427 6832

Email & Skype: info@chipsmall.com Web: www.chipsmall.com

Address: A1208, Overseas Decoration Building, #122 Zhenhua RD., Futian, Shenzhen, China





NOTES:

1. MATERIAL:

1.1 HOUSING: THERMOPLASTIC, HIGH TEMP. HALOGEN FREE, UL94V-0; COLOR: BLACK.

1.2 CONTACT: COPPER ALLOY.

1.3 FITTING NAIL: COPPER ALLOY.

2. FINISH:

2.1 CONTACT:

GOLD FLASH ON CONTACT AREA AND SOLDER TAIL. NICKEL UNDERPLATING OVERALL.

2.2 FITTING NAIL:

100µ" MIN. TIN PLATING ON SOLDER TAILS. NICKEL UNDERPLATING OVERALL.

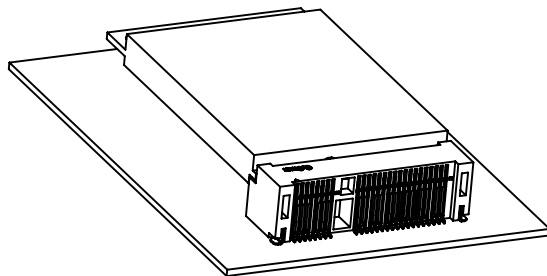
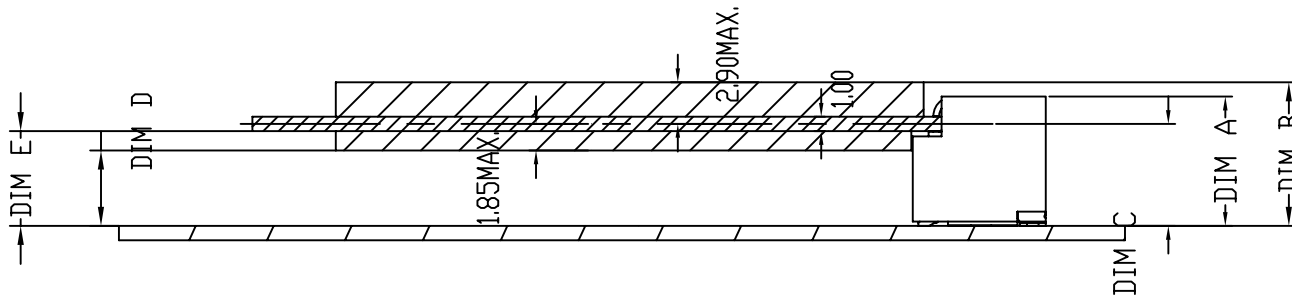
3. PRODUCT SPECIFICATION REFER TO PS-48338-002.

4. PACKAGING DRAWING REFER TO PK-48338-002.

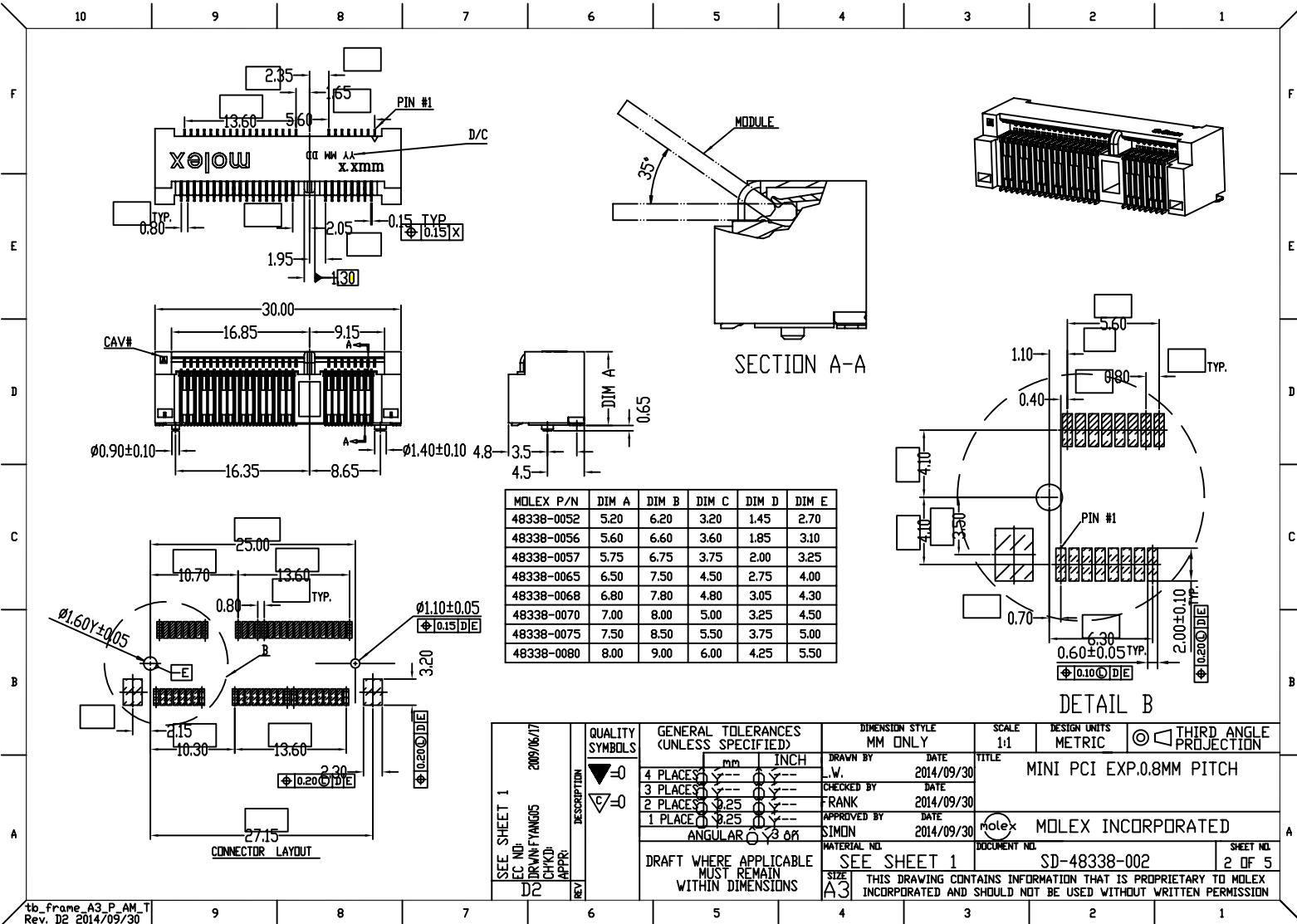
5. TEST SUMMARY REFER TO TS-48338-002.

6. LEAD FREE AND ROHS COMPLIANT PRODUCT.

7. DATUM D IS THE TOP SURFACE OF PCB.



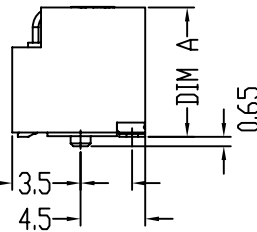
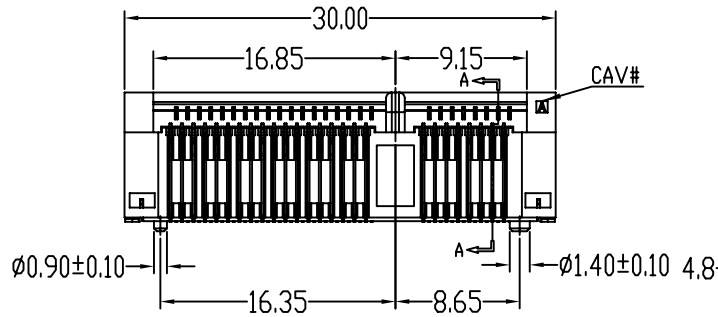
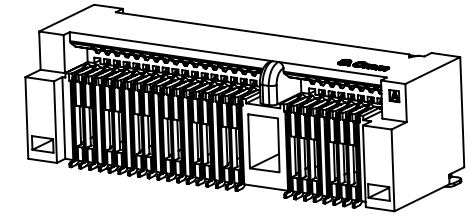
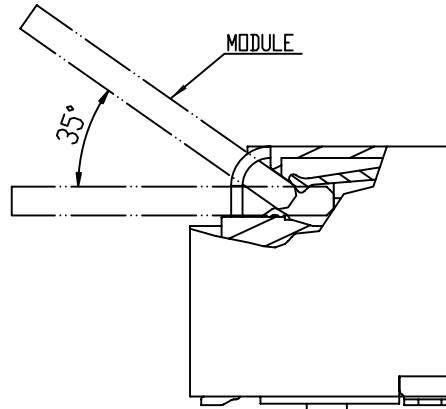
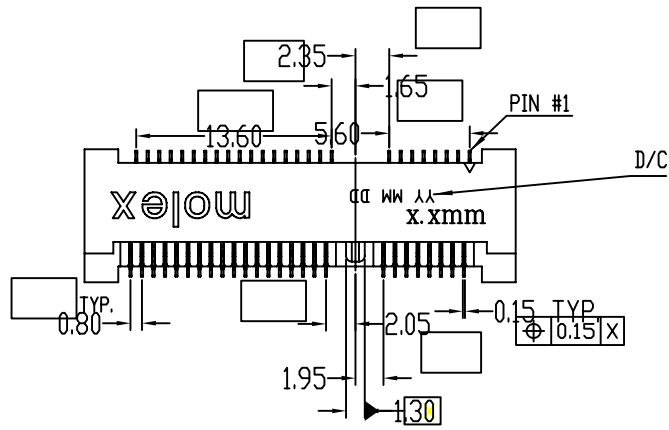
ADD P/N EC NO: DRWN: FYANG05 CH'KD: APPR:	DESCRIPTION REV	2009/06/17	QUALITY SYMBOLS	GENERAL TOLERANCES (UNLESS SPECIFIED)	DIMENSION STYLE MM ONLY	SCALE 1:1	DESIGN UNITS METRIC	THIRD ANGLE PROJECTION
			= 0 = 0	mm INCH 4 PLACES 0.01 0.0005 3 PLACES 0.1 0.005 2 PLACES 0.25 0.01 1 PLACE 0.25 0.01 ANGULAR 0.3 0.0125	DRAWN BY DATE L.W. 2014/09/30 CHECKED BY DATE FRANK 2014/09/30 APPROVED BY DATE SIMON 2014/09/30	TITLE MINI PCI EXP.0.8MM PITCH		
				DRAFT WHERE APPLICABLE MUST REMAIN WITHIN DIMENSIONS	SEE TABLE		MOLEX INCORPORATED	
					SIZE A3	THIS DRAWING CONTAINS INFORMATION THAT IS PROPRIETARY TO MOLEX INCORPORATED AND SHOULD NOT BE USED WITHOUT WRITTEN PERMISSION		SHEET NO. 1 OF 5



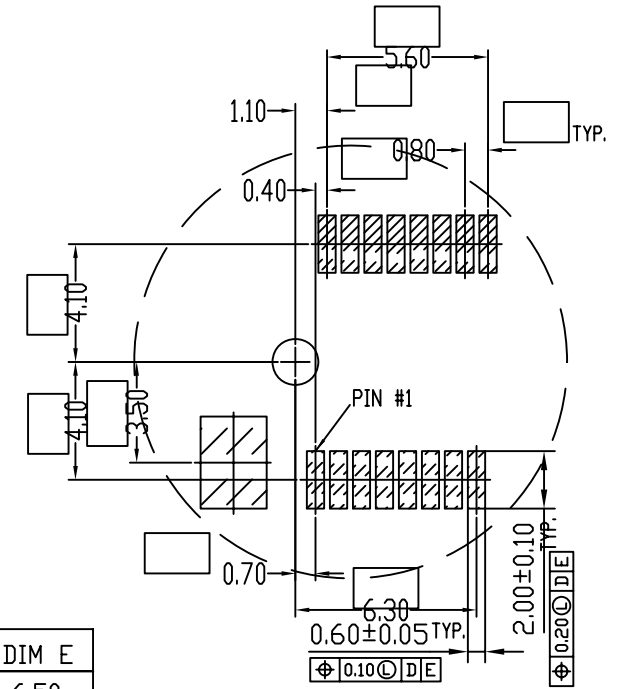
MOLEX P/N	DIM A	DIM B	DIM C	DIM D	DIM E
48338-0052	5.20	6.20	3.20	1.45	2.70
48338-0056	5.60	6.60	3.60	1.85	3.10
48338-0057	5.75	6.75	3.75	2.00	3.25
48338-0065	6.50	7.50	4.50	2.75	4.00
48338-0068	6.80	7.80	4.80	3.05	4.30
48338-0070	7.00	8.00	5.00	3.25	4.50
48338-0075	7.50	8.50	5.50	3.75	5.00
48338-0080	8.00	9.00	6.00	4.25	5.50

MOLEX P/N	DIM A	DIM B	DIM C	DIM D	DIM E
48338-0052	5.20	6.20	3.20	1.45	2.70
48338-0056	5.60	6.60	3.60	1.85	3.10
48338-0057	5.75	6.75	3.75	2.00	3.25
48338-0065	6.50	7.50	4.50	2.75	4.00
48338-0068	6.80	7.80	4.80	3.05	4.30
48338-0070	7.00	8.00	5.00	3.25	4.50
48338-0075	7.50	8.50	5.50	3.75	5.00
48338-0080	8.00	9.00	6.00	4.25	5.50
48338-0085	8.50	9.50	6.50	4.75	6.00
48338-0088	8.80	9.80	6.80	5.05	6.30
48338-0099	9.90	10.90	7.90	6.15	7.40

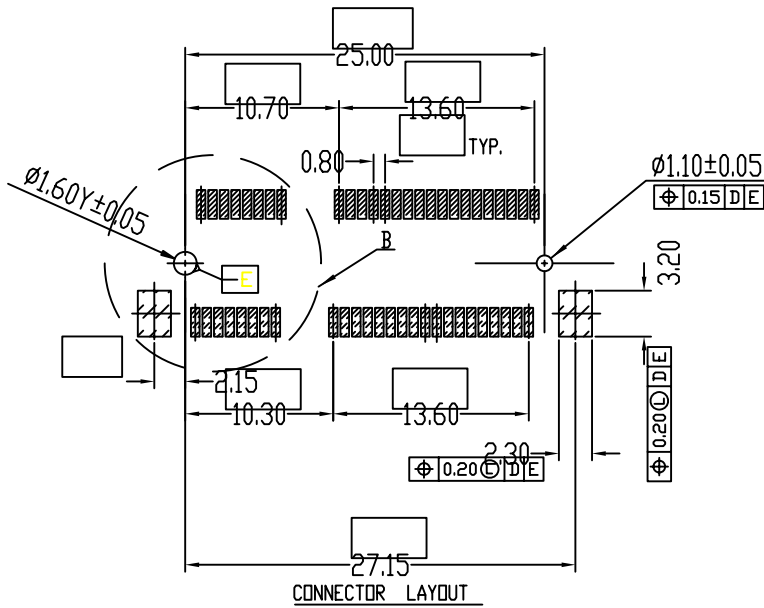
SEE SHEET 1 EC NO: DRWIN/FANGJIS CHKD: CHIKO APPR: D2	QUALITY SYMBOLS	GENERAL TOLERANCES (UNLESS SPECIFIED)	DIMENSION STYLE	SCALE	DESIGN UNITS	THIRD ANGLE PROJECTION
	▽=0	mm INCH	MM ONLY	1:1	METRIC	☉
	▽=0.25	4 PLACES 0.125 0.005	DRAWN BY	DATE	TITLE	
	▽=0.005	3 PLACES 0.125 0.005	L.W.	2014/09/30	MINI PCI EXP.0.8MM PITCH	
		ANGULAR 0.25 0.005	CHECKED BY	DATE		
			FRANK	2014/09/30		
			APPROVED BY	DATE		
			SIMON	2014/09/30		
			MATERIAL NO.	DOCUMENT NO.		
			SEE SHEET 1	SD-48338-002		
			SIZE			SHEET NO.
			A3			2 OF 5
			THIS DRAWING CONTAINS INFORMATION THAT IS PROPRIETARY TO MOLEX INCORPORATED AND SHOULD NOT BE USED WITHOUT WRITTEN PERMISSION			



SECTION A-A

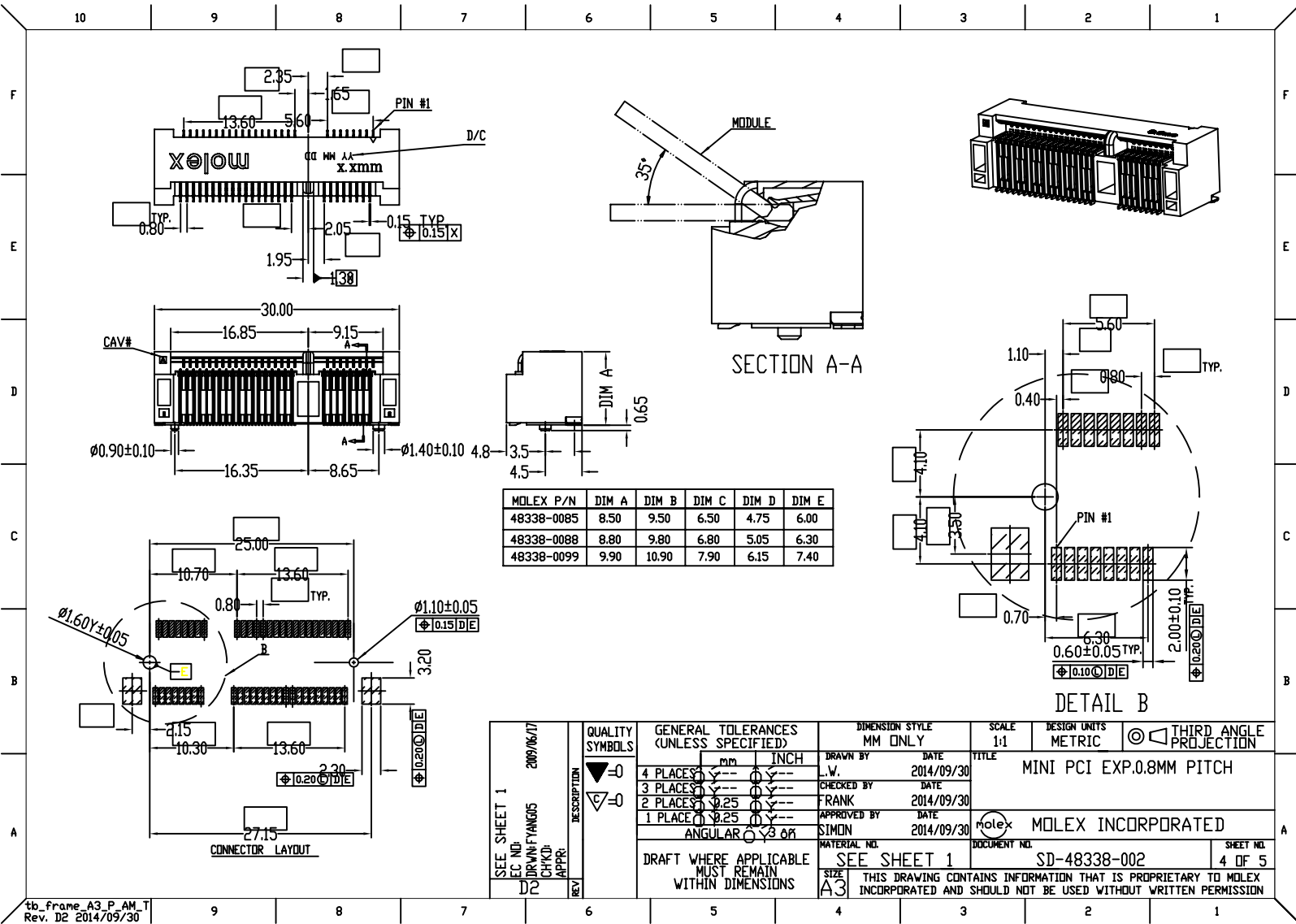


DETAIL B



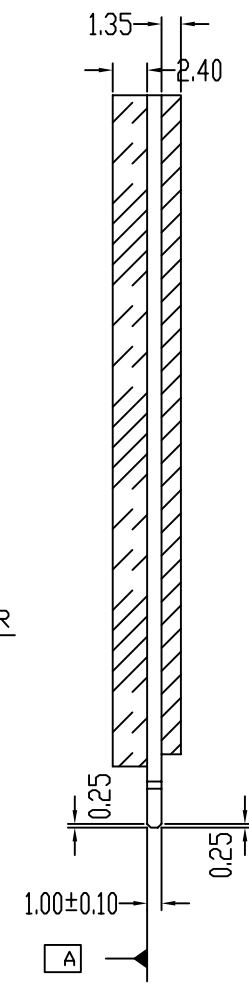
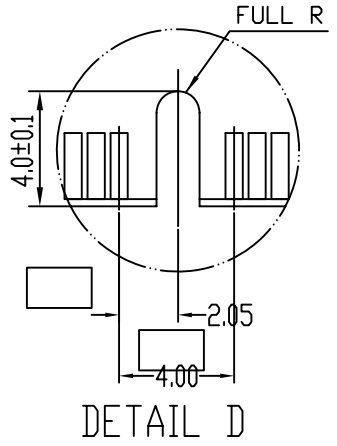
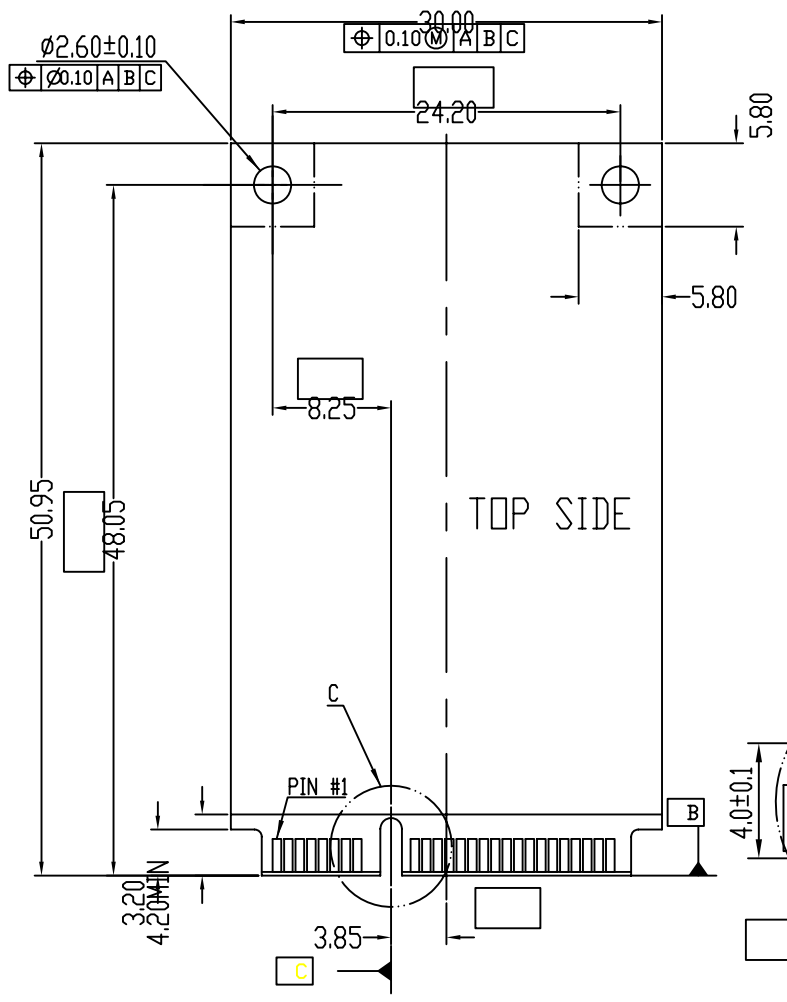
MOLEX P/N	DIM A	DIM B	DIM C	DIM D	DIM E
48338-0090	9.00	10.00	7.00	5.25	6.50

REV	DESCRIPTION	QUALITY SYMBOLS	GENERAL TOLERANCES (UNLESS SPECIFIED)		DIMENSION STYLE	SCALE	DESIGN UNITS	THIRD ANGLE PROJECTION	
			mm	INCH	MM ONLY	1:1	METRIC	⊙	□
SEE SHEET 1	EC NO: 2009/06/17		4 PLACES	Y	DATE	TITLE			
D2	DRWN: FYANG05		3 PLACES	Y	L.W	2014/09/30	MINI PCI EXP.0.8MM PITCH		
	CHKD:		2 PLACES	Y	CHECKED BY	DATE			
	APPR:		1 PLACE	Y	FRANK	2014/09/30			
			ANGULAR $\phi 3 \phi$		APPROVED BY	DATE	MOLEX INCORPORATED		
					SIMON	2014/09/30	MATERIAL NO. SEE SHEET 1		
					DOCUMENT NO. SD-48338-002		SHEET NO. 3 OF 5		
DRAFT WHERE APPLICABLE MUST REMAIN WITHIN DIMENSIONS									
THIS DRAWING CONTAINS INFORMATION THAT IS PROPRIETARY TO MOLEX INCORPORATED AND SHOULD NOT BE USED WITHOUT WRITTEN PERMISSION									

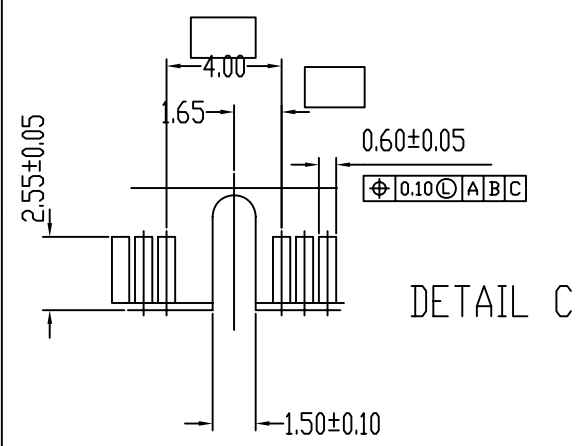
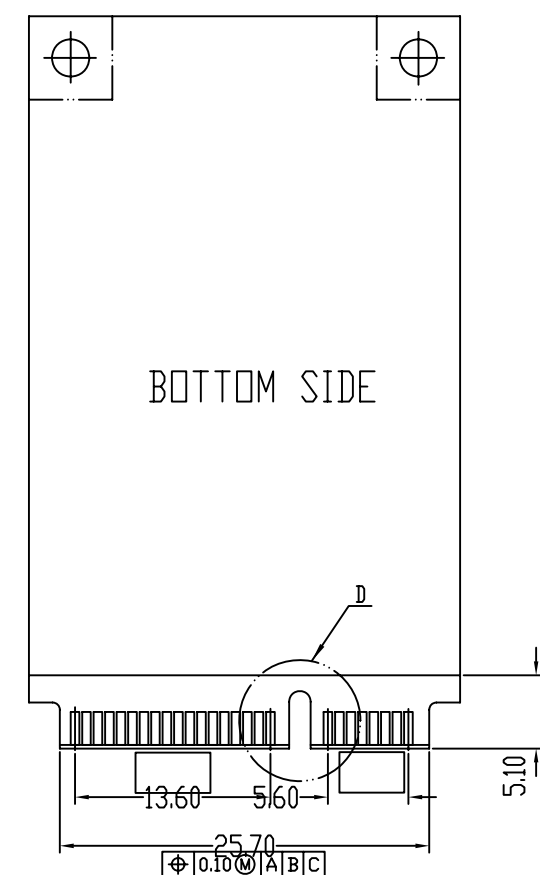


MOLEX P/N	DIM A	DIM B	DIM C	DIM D	DIM E
48338-0052	5.20	6.20	3.20	1.45	2.70
48338-0056	5.60	6.60	3.60	1.85	3.10
48338-0057	5.75	6.75	3.75	2.00	3.25
48338-0065	6.50	7.50	4.50	2.75	4.00
48338-0068	6.80	7.80	4.80	3.05	4.30
48338-0070	7.00	8.00	5.00	3.25	4.50
48338-0075	7.50	8.50	5.50	3.75	5.00
48338-0080	8.00	9.00	6.00	4.25	5.50
48338-0085	8.50	9.50	6.50	4.75	6.00
48338-0088	8.80	9.80	6.80	5.05	6.30
48338-0099	9.90	10.90	7.90	6.15	7.40

SEE SHEET 1 REV: D2	DESCRIPTION DRAWN BY: JRW/FFRANGIOS CHKD: [blank] APPR: [blank]	QUALITY SYMBOLS 4 PLACES 3 PLACES 2 PLACES 1 PLACE ANGULAR	GENERAL TOLERANCES (UNLESS SPECIFIED) mm INCH	DIMENSION STYLE MM ONLY	SCALE 1:1	DESIGN UNITS METRIC	THIRD ANGLE PROJECTION
				DRAWN BY: L.W. DATE: 2014/09/30	CHECKED BY: FRANK DATE: 2014/09/30	APPROVED BY: SIMON DATE: 2014/09/30	TITLE MINI PCI EXP.0.8MM PITCH
DRAFT WHERE APPLICABLE MUST REMAIN WITHIN DIMENSIONS			MATERIAL NO. SEE SHEET 1	DOCUMENT NO. SD-48338-002	SHEET NO. 4 OF 5		
THIS DRAWING CONTAINS INFORMATION THAT IS PROPRIETARY TO MOLEX INCORPORATED AND SHOULD NOT BE USED WITHOUT WRITTEN PERMISSION							



NOTES:
 1. PIN NUMBERING REFERENCE:
 ODD PINS: TOP SIDE
 EVEN PINS: BOTTOM SIDE



SEE SHEET 1	DESCRIPTION
EC NO: 2009/06/17	
DRWN: FYANG05	
CHKD:	
APPR:	
REV	

QUALITY SYMBOLS	▽=0
	▽=0

GENERAL TOLERANCES (UNLESS SPECIFIED)	
	mm INCH
4 PLACES	0.15 0.006
3 PLACES	0.25 0.010
2 PLACES	0.50 0.020
1 PLACE	1.00 0.040
ANGULAR 0.5 0.020	
DRAFT WHERE APPLICABLE MUST REMAIN WITHIN DIMENSIONS	

DIMENSION STYLE MM ONLY	
DRAWN BY	DATE
L.W	2014/09/30
CHECKED BY	DATE
FRANK	2014/09/30
APPROVED BY	DATE
SIMON	2014/09/30
MATERIAL NO.	
SEE SHEET 1	
SIZE	
A3	

SCALE 1:1	DESIGN UNITS METRIC	THIRD ANGLE PROJECTION
TITLE MINI PCI EXP.0.8MM PITCH		
MOLEX INCORPORATED		
DOCUMENT NO. SD-48338-002	SHEET NO. 5 OF 5	
THIS DRAWING CONTAINS INFORMATION THAT IS PROPRIETARY TO MOLEX INCORPORATED AND SHOULD NOT BE USED WITHOUT WRITTEN PERMISSION		