



Chipsmall Limited consists of a professional team with an average of over 10 year of expertise in the distribution of electronic components. Based in Hongkong, we have already established firm and mutual-benefit business relationships with customers from,Europe,America and south Asia,supplying obsolete and hard-to-find components to meet their specific needs.

With the principle of "Quality Parts,Customers Priority,Honest Operation,and Considerate Service",our business mainly focus on the distribution of electronic components. Line cards we deal with include Microchip,ALPS,ROHM,Xilinx,Pulse,ON,Everlight and Freescale. Main products comprise IC,Modules,Potentiometer,IC Socket,Relay,Connector.Our parts cover such applications as commercial,industrial, and automotives areas.

We are looking forward to setting up business relationship with you and hope to provide you with the best service and solution. Let us make a better world for our industry!



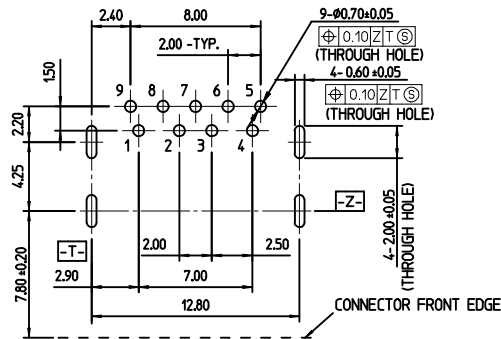
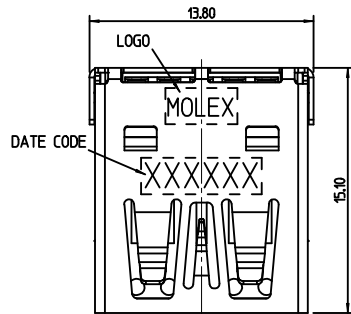
Contact us

Tel: +86-755-8981 8866 Fax: +86-755-8427 6832

Email & Skype: info@chipsmall.com Web: www.chipsmall.com

Address: A1208, Overseas Decoration Building, #122 Zhenhua RD., Futian, Shenzhen, China

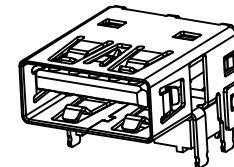
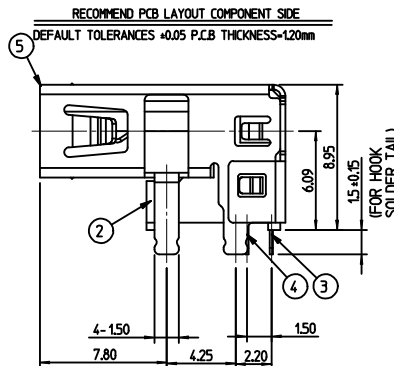
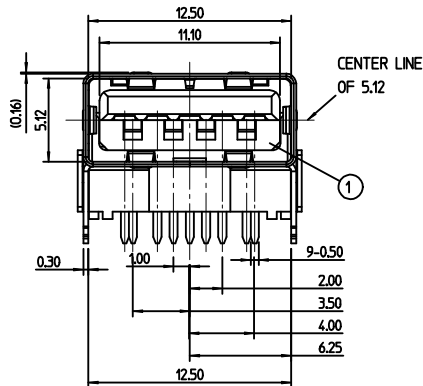




- NOTES:
- MATERIAL:
 - HOUSING: THERMOPLASTIC, HIGH TEMP., UL94V-0, COLOR: BLUE
 - CONTACT: COPPER ALLOY
 - SHELL: STAINLESS STEEL
 - FINISH:
 - CONTACT: PLS. SEE TABLE INFORMATION
 - SOLDER TAIL PLATING: MATT TIN OVER NICKEL
 - UNDERPLATING: NICKEL OVER ALL
 - SPEC. PLS. REFER TO PS-48391-001
 - PACKAGE PLS. REFER TO PK-48391-001
 - LEAD FREE AND ROHS COMPLIANT PRODUCT
 - DATE CODE 1 A 08 X X

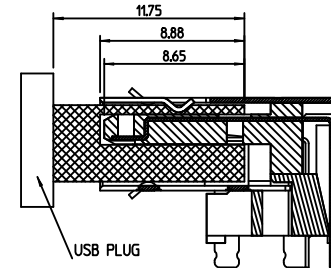
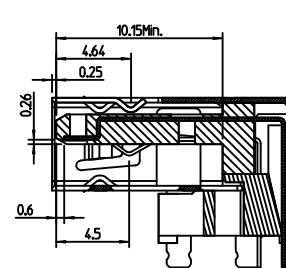
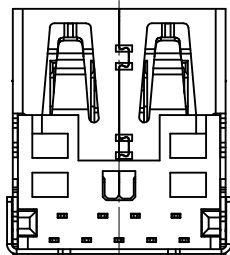
YEAR: 1+2011
 MONTH: A(JAN), B(FEB)
 DATE: 8=08

REMARK
 PRODUCE PLACE



TABLE

PLATING	MOLEX P/N
30'u GOLD	48391-0001
2u'GOLD&30u'Pd-Ni	48391-0002
15u' GOLD	48391-0003
GOLD FLASH(3u' MIN)	48391-0004



No.	DESCRIPTION	MATERIAL
5	METAL SHELL	STAINLESS STEEL
4	TERMINAL A	COPPER ALLOY
3	TERMINAL B	COPPER ALLOY
2	SPACER	THERMOPLASTIC
1	HOUSING	THERMOPLASTIC

SHELL	SHIELD
9	STDA_SSTX+
8	STDA_SSTX-
7	GND_DRAIN
6	STDA_SSRX+
5	STDA_SSRX-
4	GND
3	D+
2	D-
1	VBUS
PIN NO.	SIGNAL NAME

RELEASE EC NO: DRWNYFANG05 2013/10/20 CHKD: APPR:	DESCRIPTION REV	QUALITY SYMBOLS $\nabla = 0$ $\nabla = 0$ $\nabla = 0$		GENERAL TOLERANCES (UNLESS SPECIFIED)		DIMENSION STYLE MM ONLY		SCALE 1:1		DESIGN UNITS METRIC		THIRD ANGLE PROJECTION	
		4 PLACES	±	±	mm	INCH	DRAWN BY CANDY		DATE 2013/06/17		TITLE USB3.0 NORMAL A TYPE R/A T/H CH=6.09mm		
		3 PLACES	±	±	±	±	CHECKED BY JERRY		DATE 2013/06/17		MOLEX INCORPORATED		
		2 PLACES	±0.25	±	±	±	APPROVED BY JASON		DATE 2013/06/17		DOCUMENT NO. SD-48391-001		
DRAFT WHERE APPLICABLE MUST REMAIN WITHIN DIMENSIONS				1 PLACE ±0.25 ±		MATERIAL NO. SEE TABLE		SHEET NO. 1 OF 1		THIS DRAWING CONTAINS INFORMATION THAT IS PROPRIETARY TO MOLEX INCORPORATED AND SHOULD NOT BE USED WITHOUT WRITTEN PERMISSION			