



Chipsmall Limited consists of a professional team with an average of over 10 year of expertise in the distribution of electronic components. Based in Hongkong, we have already established firm and mutual-benefit business relationships with customers from,Europe,America and south Asia,supplying obsolete and hard-to-find components to meet their specific needs.

With the principle of “Quality Parts,Customers Priority,Honest Operation,and Considerate Service”,our business mainly focus on the distribution of electronic components. Line cards we deal with include Microchip,ALPS,ROHM,Xilinx,Pulse,ON,Everlight and Freescale. Main products comprise IC,Modules,Potentiometer,IC Socket,Relay,Connector.Our parts cover such applications as commercial,industrial, and automotives areas.

We are looking forward to setting up business relationship with you and hope to provide you with the best service and solution. Let us make a better world for our industry!



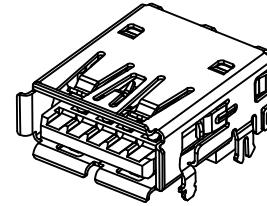
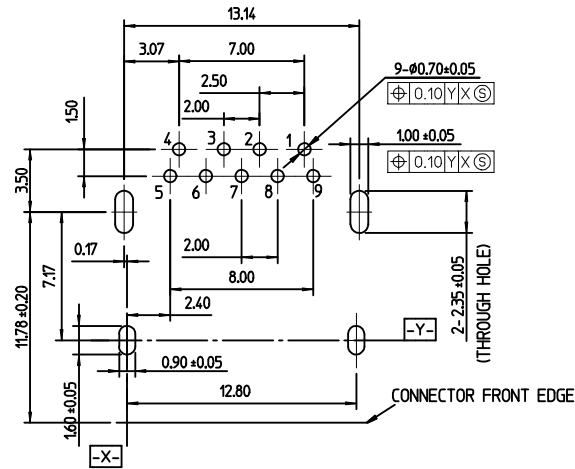
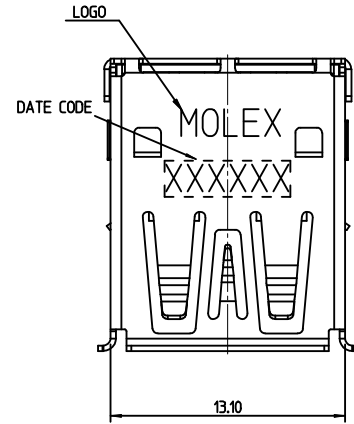
Contact us

Tel: +86-755-8981 8866 Fax: +86-755-8427 6832

Email & Skype: info@chipsmall.com Web: www.chipsmall.com

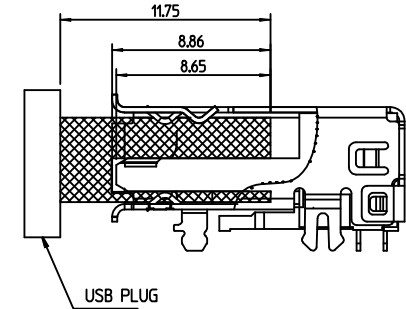
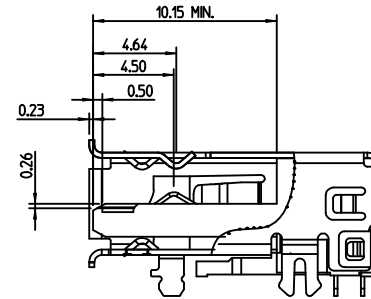
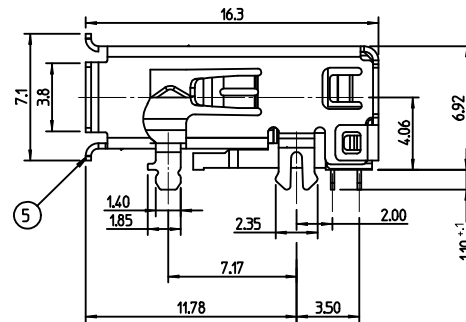
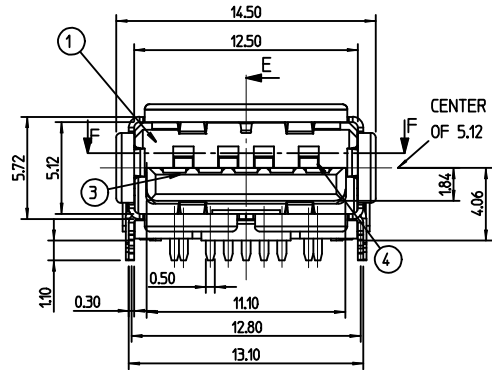
Address: A1208, Overseas Decoration Building, #122 Zhenhua RD., Futian, Shenzhen, China





- NOTES:
- MATERIAL:
 - HOUSING: THERMOPLASTIC, HIGH TEMP., UL94V-0, COLOR: BLUE
 - CONTACT: COPPER ALLOY
 - SHELL: STAINLESS STEEL
 - FINISH:
 - CONTACT: PLS. SEE ORDER INFORMATION
SOLDER TAIL PLATING: MATT TIN OVER NICKEL
UNDERPLATING: NICKEL OVER ALL
 - SHELL: NICKEL PLATING OVER ALL
 - SPEC. PLS. REFER TO PS-48392-001
 - PACKAGE PLS. REFER TO PK-48392-001
 - LEAD FREE AND ROHS COMPLIANT PRODUCT
 - DATE CODE 1 A 08 X X
YEAR: 1=2011 MONTH: A(JAN), B(FEB) DATE: 8=08
REMARK PRODUCE PLACE

RECOMMEND PCB LAYOUT COMPONENT SIDE
DEFAULT TOLERANCES ±0.05mm P.C.B THICKNESS=1.2mm

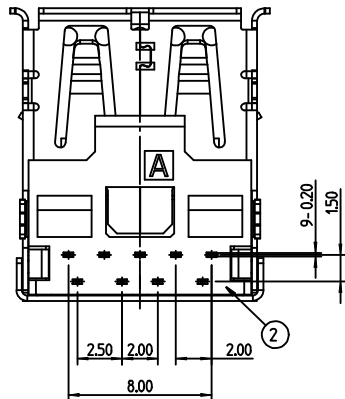


TABLE

SECTION E-E

PLATING	MOLEX P/N
30'u GOLD	48392-0001
2u'GOLD&30u'Pd-Ni	48392-0002
15u' GOLD	48392-0003
GOLD FLASH(3u' MIN)	48392-0004

No.	DESCRIPTION	MATERIAL
5	METAL SHELL	STAINLESS STEEL
4	TERMINAL A	COPPER ALLOY
3	TERMINAL B	COPPER ALLOY
2	SPACER	THERMOPLASTIC
1	HOUSING	THERMOPLASTIC



SHELL	SHIELD
9	STDA_SSTX+
8	STDA_SSTX-
7	GND_DRAIN
6	STDA_SSRX+
5	STDA_SSRX-
4	GND
3	D+
2	D-
1	VBUS
PIN NO.	SIGNAL NAME

REV	DESCRIPTION
A	RELEASE EC NO: DRWINFYANG05 2013/10/20 CHKD: APPR:

QUALITY SYMBOLS	GENERAL TOLERANCES (UNLESS SPECIFIED)
$\nabla_A=0$	mm INCH
$\nabla_C=0$	4 PLACES
$\nabla_D=0$	3 PLACES
	2 PLACES ± 0.25
	1 PLACE ± 0.25
	ANGULAR ± 3 °
	DRAFT WHERE APPLICABLE MUST REMAIN WITHIN DIMENSIONS

DIMENSION STYLE		SCALE		DESIGN UNITS		THIRD ANGLE PROJECTION	
MM ONLY		1:1		METRIC			
DRAWN BY	DATE	TITLE					
JIANZHONG	13/06/17	USB3.0 REVERSE A TYPE					
CHECKED BY	DATE	R/A T/H CH=4.06mm					
SAM	13/06/17						
APPROVED BY	DATE						
JASON	13/06/17						
MATERIAL NO.							
SEE-TABLE							

MOLEX INCORPORATED		SHEET NO.	
DOCUMENT NO.	SD-48392-001	1 OF 1	
THIS DRAWING CONTAINS INFORMATION THAT IS PROPRIETARY TO MOLEX INCORPORATED AND SHOULD NOT BE USED WITHOUT WRITTEN PERMISSION			