



Chipsmall Limited consists of a professional team with an average of over 10 year of expertise in the distribution of electronic components. Based in Hongkong, we have already established firm and mutual-benefit business relationships with customers from,Europe,America and south Asia,supplying obsolete and hard-to-find components to meet their specific needs.

With the principle of “Quality Parts,Customers Priority,Honest Operation,and Considerate Service”,our business mainly focus on the distribution of electronic components. Line cards we deal with include Microchip,ALPS,ROHM,Xilinx,Pulse,ON,Everlight and Freescale. Main products comprise IC,Modules,Potentiometer,IC Socket,Relay,Connector.Our parts cover such applications as commercial,industrial, and automotives areas.

We are looking forward to setting up business relationship with you and hope to provide you with the best service and solution. Let us make a better world for our industry!



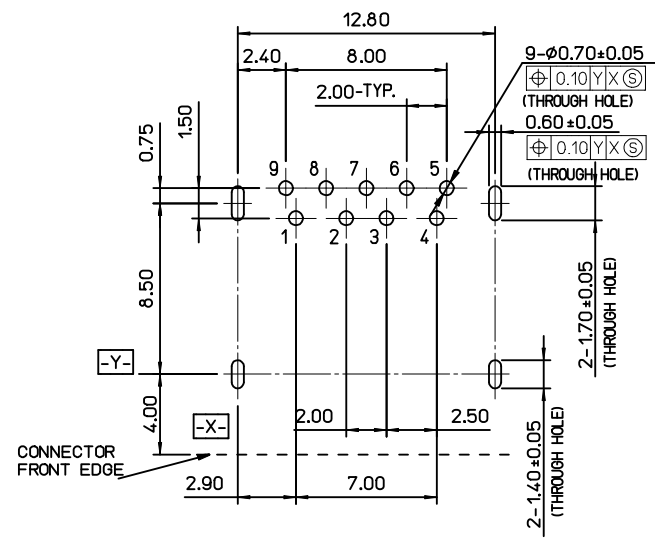
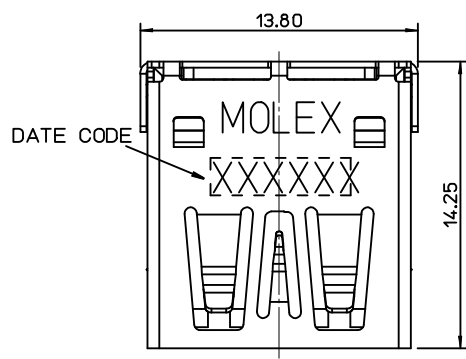
Contact us

Tel: +86-755-8981 8866 Fax: +86-755-8427 6832

Email & Skype: info@chipsmall.com Web: www.chipsmall.com

Address: A1208, Overseas Decoration Building, #122 Zhenhua RD., Futian, Shenzhen, China





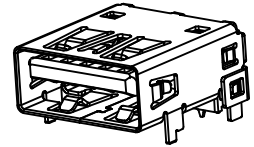
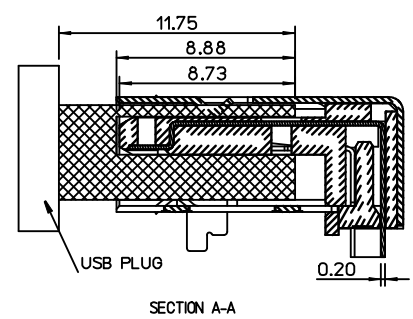
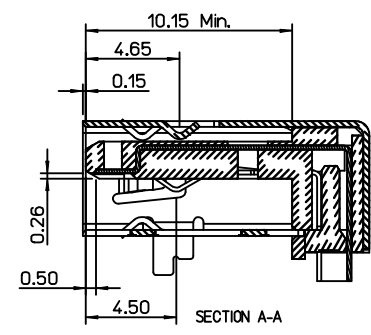
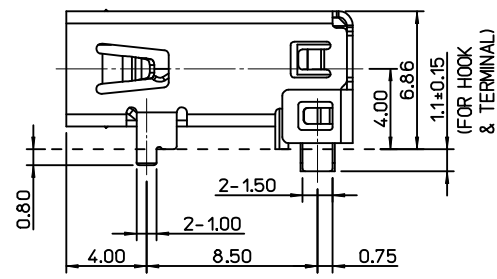
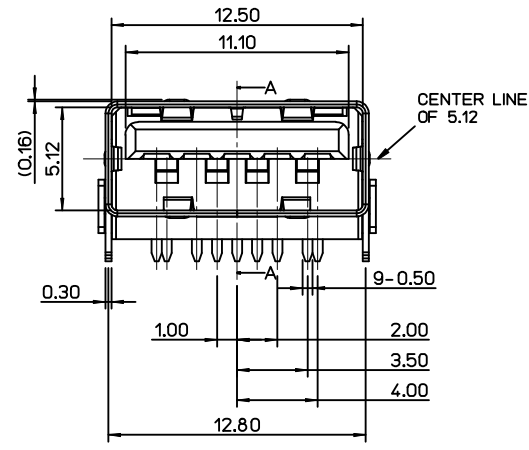
NOTES:
 1. MATERIAL:
 1.1 HOUSING: THERMOPLASTIC, HIGH TEMP., UL94V-0, COLOR:BLUE
 1.2 CONTACT: COPPER ALLOY
 1.3 SHELL: STAINLESS STEEL
 2. FINISH:
 2.1 CONTACT: PLS. SEE TABLE INFORMATION
 SOLDER TAIL PLATING: MATT TIN OVER NICKEL
 UNDERPLATING: NICKEL OVER ALL
 2.2 SHELL: NICKEL PLATING OVER ALL
 3. SPEC. PLS. REFER TO PS-48393-001
 4. PACKAGE PLS. REFER TO PK-48393-001
 5. LEAD FREE AND ROHS COMPLIANT PRODUCT
 6. DATE CODE

YEAR:1=2011 MONTH:A(JAN).B(FEB) DATE:8=08
 1 A 08 X X
 REMARK
 PRODUCE PLACE

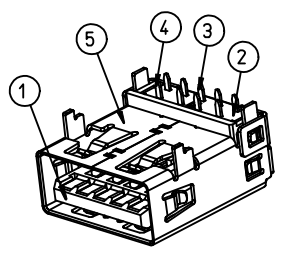
TABLE

PLATING	MOLEX P/N
30u GOLD	48393-0001
2u GOLD&30uPd-Ni	48393-0002
15u GOLD	48393-0003
GOLD FLASH(3u' MIN)	48393-0004

RECOMMEND PCB LAYOUT COMPONENT SIDE
 DEFAULT TOLERANCES ±0.05 P.C.B THICKNESS=1.20mm



5	METAL SHELL	STAINLESS STEEL
4	TERMINAL A	COPPER ALLOY
3	TERMINAL B	COPPER ALLOY
2	SPACER	THERMOPLASTIC
1	HOUSING	THERMOPLASTIC
No.	DESCRIPTION	MATERIAL



SHELL	SHIELD
9	STDA_SSTX+
8	STDA_SSTX-
7	GND_DRAIN
6	STDA_SSRX+
5	STDA_SSRX-
4	GND
3	D+
2	D-
1	VBUS
PIN NO.	SIGNAL NAME

RELEASE
 EC NO: DRWNFYANG05 2013/10/20
 CHKD:
 APPR:

QUALITY SYMBOLS
 F=0
 F=0
 F=0

GENERAL TOLERANCES (UNLESS SPECIFIED)
 4 PLACES ± mm ± INCH
 3 PLACES ± mm ± INCH
 2 PLACES ±0.25 mm ± INCH
 1 PLACE ±0.25 mm ± INCH
 ANGULAR ±3°
 DRAFT WHERE APPLICABLE
 MUST REMAIN WITHIN DIMENSIONS

DIMENSION STYLE
 MM ONLY
 DRAWN BY: SKQI DATE: 2013/06/14
 CHECKED BY: SAM DATE: 2013/06/14
 APPROVED BY: JASON DATE: 2013/06/14
 MATERIAL NO.
 SEE TABLE

SCALE 1:1
 DESIGN UNITS METRIC
 THIRD ANGLE PROJECTION
 TITLE: USB 3.0 NORMAL A TYPE R/A T/H CH=4.00mm
 MOLEX INCORPORATED
 DOCUMENT NO. SD-48393-001 SHEET NO. 1 OF 1