



Chipsmall Limited consists of a professional team with an average of over 10 year of expertise in the distribution of electronic components. Based in Hongkong, we have already established firm and mutual-benefit business relationships with customers from,Europe,America and south Asia,supplying obsolete and hard-to-find components to meet their specific needs.

With the principle of “Quality Parts,Customers Priority,Honest Operation,and Considerate Service”,our business mainly focus on the distribution of electronic components. Line cards we deal with include Microchip,ALPS,ROHM,Xilinx,Pulse,ON,Everlight and Freescale. Main products comprise IC,Modules,Potentiometer,IC Socket,Relay,Connector.Our parts cover such applications as commercial,industrial, and automotives areas.

We are looking forward to setting up business relationship with you and hope to provide you with the best service and solution. Let us make a better world for our industry!



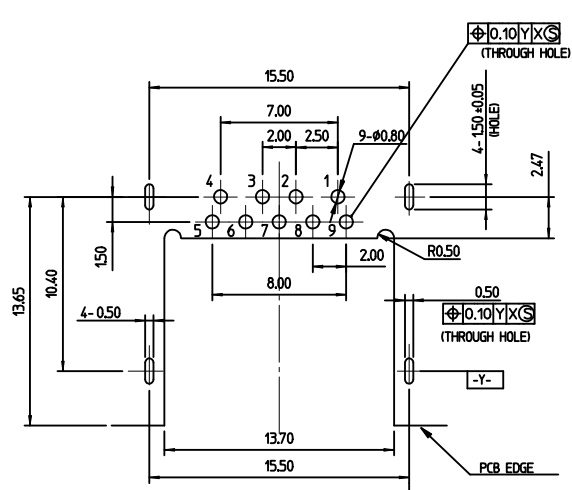
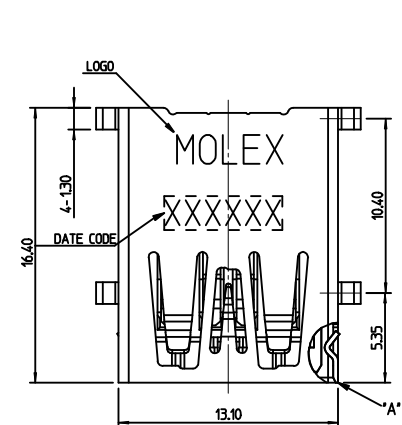
Contact us

Tel: +86-755-8981 8866 Fax: +86-755-8427 6832

Email & Skype: info@chipsmall.com Web: www.chipsmall.com

Address: A1208, Overseas Decoration Building, #122 Zhenhua RD., Futian, Shenzhen, China





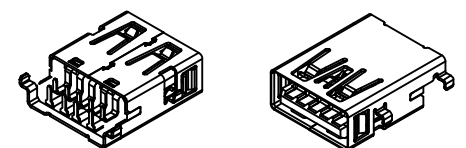
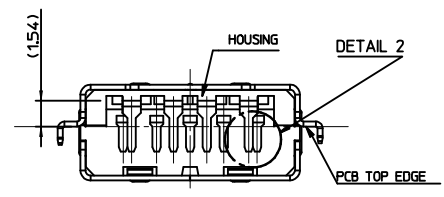
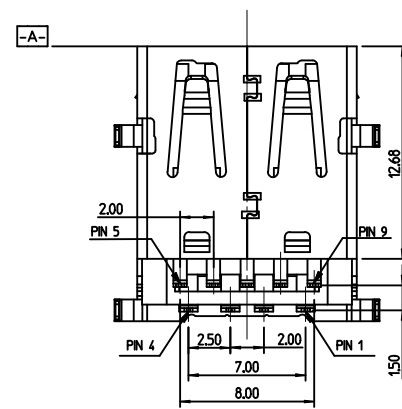
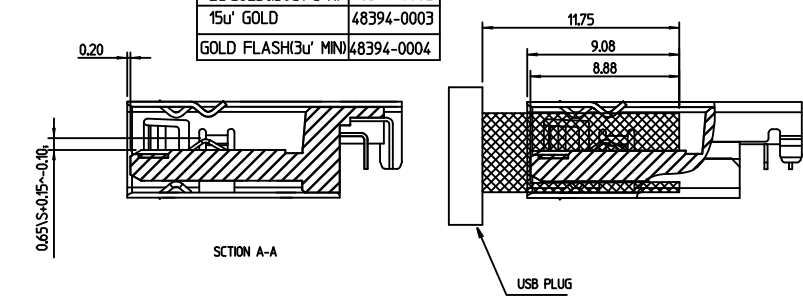
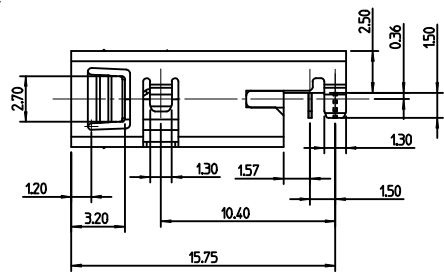
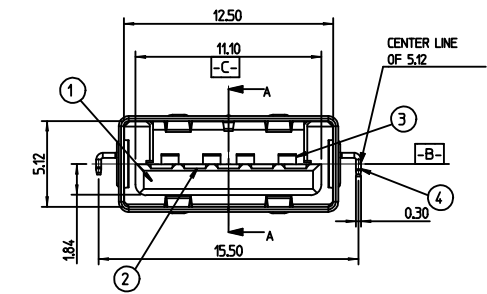
- NOTES:
 1. MATERIAL:
 1.1 HOUSING: THERMOPLASTIC, HIGH TEMP., UL94V-0, COLOR: BLUE
 1.2 CONTACT: COPPER ALLOY
 1.3 SHELL: STAINLESS STEEL
 2. FINISH:
 2.1 CONTACT: PLS. SEE ORDER INFORMATION
 SOLDER TAIL PLATING: MATT TIN OVER NICKEL
 UNDERPLATING: NICKEL OVER ALL
 2.2 SHELL: NICKEL PLATING OVER ALL
 3. SPEC. PLS. REFER TO PS-48394-001
 4. PACKAGE PLS. REFER TO PK-48394-001
 5. LEAD FREE AND ROHS COMPLIANT PRODUCT
 6. DATE CODE

YEAR: 1-2011
 MONTH: A(JAN)-B(FEB)
 DATE: 8-08

REMARK
 PRODUCE PLACE

TABLE

PLATING	MOLEX P/N
30u GOLD	48394-0001
ZuGOLD&30uPd-Ni	48394-0002
15u GOLD	48394-0003
GOLD FLASH(3u MIN)	48394-0004



No.	DESCRIPTION	MATERIAL	FINISH
4	METAL SHELL	STAINLESS STEEL	NICKEL PLATING OVERALL
3	TERMINAL A	COPPER ALLOY	SEE ORDER INFORMATION
2	TERMINAL B	COPPER ALLOY	SEE ORDER INFORMATION
1	HOUSING	THERMOPLASTIC	SEE ORDER INFORMATION

SHELL	SHIELD
9	STDA_SSTX+
8	STDA_SSTX-
7	GND_DRAIN
6	STDA_SSRX+
5	STDA_SSRX-
4	GND
3	D+
2	D-
1	VBUS
PIN NO.	SIGNAL NAME

REV	DESCRIPTION
A	RELEASE
	EC NO: DRWIN/YANG05 2013/10/20
	CHKD: APPR:

QUALITY SYMBOLS		GENERAL TOLERANCES (UNLESS SPECIFIED)		DIMENSION STYLE		SCALE	DESIGN UNITS	THIRD ANGLE PROJECTION	
mm	INCH	mm	INCH	MM ONLY	DATE	1:1	METRIC	TITLE	
4 PLACES	±	±		DRAWN BY	JZ.YU	13/03/22	USB3.0 REVERSE SINK A TYPE CH=0.36mm T/H R/A		
3 PLACES	±	±		CHECKED BY	SAM	13/03/22			
2 PLACES	±0.25	±		APPROVED BY	JASON	13/03/22			
1 PLACE	±0.25	±		MATERIAL NO.					
ANGULAR ± 3 °				DRAFT WHERE APPLICABLE MUST REMAIN WITHIN DIMENSIONS		SEE TABLE		MOLEX INCORPORATED	
SIZE A4						THIS DRAWING CONTAINS INFORMATION THAT IS PROPRIETARY TO MOLEX INCORPORATED AND SHOULD NOT BE USED WITHOUT WRITTEN PERMISSION		DOCUMENT NO. SD-48394-001	
								SHEET NO. 1 OF 1	