



Chipsmall Limited consists of a professional team with an average of over 10 year of expertise in the distribution of electronic components. Based in Hongkong, we have already established firm and mutual-benefit business relationships with customers from,Europe,America and south Asia,supplying obsolete and hard-to-find components to meet their specific needs.

With the principle of "Quality Parts,Customers Priority,Honest Operation,and Considerate Service",our business mainly focus on the distribution of electronic components. Line cards we deal with include Microchip,ALPS,ROHM,Xilinx,Pulse,ON,Everlight and Freescale. Main products comprise IC,Modules,Potentiometer,IC Socket,Relay,Connector.Our parts cover such applications as commercial,industrial, and automotives areas.

We are looking forward to setting up business relationship with you and hope to provide you with the best service and solution. Let us make a better world for our industry!



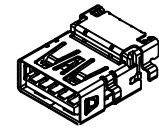
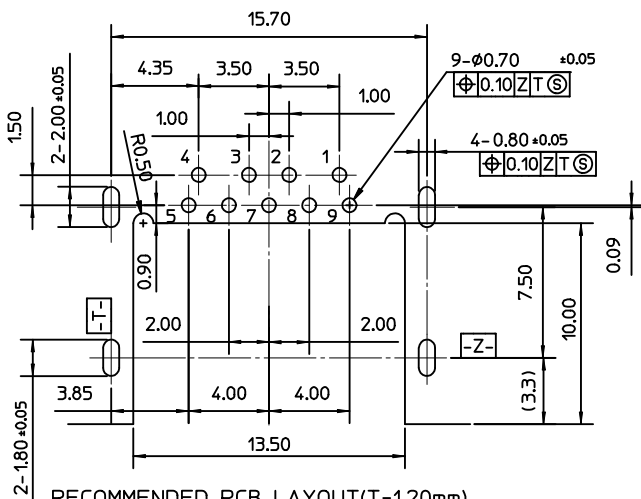
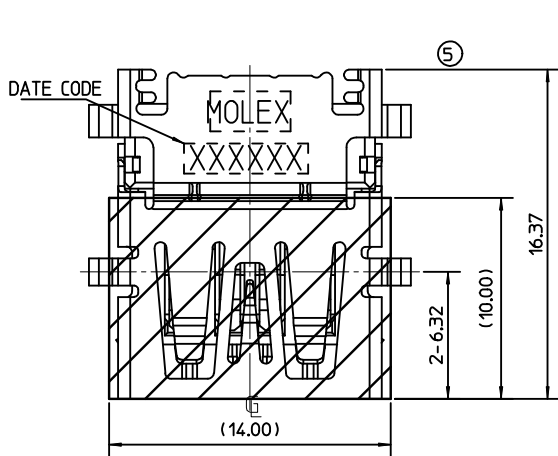
Contact us

Tel: +86-755-8981 8866 Fax: +86-755-8427 6832

Email & Skype: info@chipsmall.com Web: www.chipsmall.com

Address: A1208, Overseas Decoration Building, #122 Zhenhua RD., Futian, Shenzhen, China



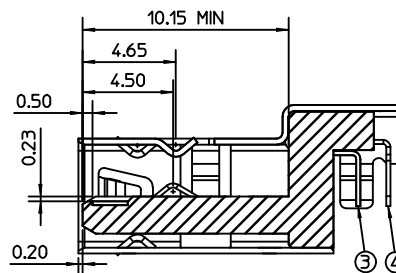
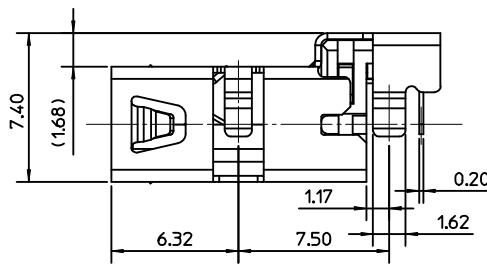
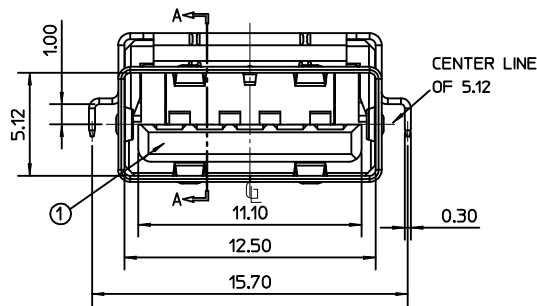


- NOTES:
- MATERIAL:
 - HOUSING: THERMOPLASTIC, HIGH TEMP., UL94V-0, COLOR: BLUE
 - CONTACT: COPPER ALLOY
 - SHELL: STAINLESS STEEL
 - FINISH:
 - CONTACT: PLS. SEE TABLE INFORMATION
 - SOLDER TAIL PLATING: MATT TIN OVER NICKEL
 - UNDERPLATING: NICKEL OVER ALL
 - SHELL: NICKEL PLATING OVER ALL
 - SPEC. PLS. REFER TO PS- 48395-001
 - PACKAGE PLS. REFER TO PK- 48395-001
 - LEAD FREE AND ROHS COMPLIANT PRODUCT
 - DATE CODE

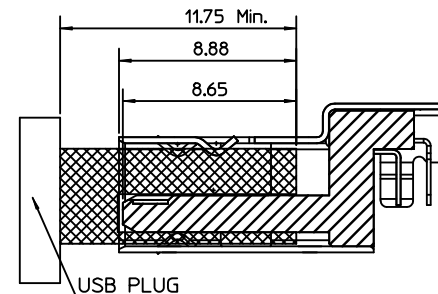
RECOMMENDED PCB LAYOUT(T=1.20mm)
GENERAL TOLERANCE \pm 0.05

YEAR : 1=2011
MONTH : A(JAN), B(FEB)
DATE : 8=08

1 A 08 X X
REMARK
PRODUCE PLACE



SECTION A-A



TABLE

PLATING	MOLEX P/N
30u GOLD	48395-0001
2u GOLD&30u Pd-Ni	48395-0002
15u GOLD	48395-0003
GOLD FLASH(3u MIN)	48395-0004

No.	DESCRIPTION	MATERIAL
5	METAL SHELL	STAINLESS STEEL
4	TERMINAL A	COPPER ALLOY
3	TERMINAL B	COPPER ALLOY
2	SPACER	THERMOPLASTIC
1	HOUSING	THERMOPLASTIC

SHELL	SHIELD
9	STDA_SSTX+
8	STDA_SSTX-
7	GND_DRAIN
6	STDA_SSRX+
5	STDA_SSRX-
4	GND
3	D+
2	D-
1	VBUS
PIN NO.	SIGNAL NAME

RELEASE
EC NO: DRWINFANG05 2013/10/20
CHKD: CHKD: APPR:

QUALITY SYMBOLS
F_A=0
F_C=0
F_B=0

GENERAL TOLERANCES (UNLESS SPECIFIED)

	mm	INCH
4 PLACES		
3 PLACES		
2 PLACES	\pm 0.25	
1 PLACE	\pm 0.25	

ANGULAR \pm 3°

DRAFT WHERE APPLICABLE
MUST REMAIN WITHIN DIMENSIONS

DIMENSION STYLE
MM ONLY

SCALE
1:1

DESIGN UNITS
METRIC

THIRD ANGLE PROJECTION

DRAWN BY
Wan.Bo

CHECKED BY
SAM

APPROVED BY
JASON

MATERIAL NO.
SEE TABLE

DATE
2013/06/17

DATE
2013/06/17

DATE
2013/06/17

TITLE
USB3.0 REVERSE SINK A
TYPE CH=1.00mm T/H R/A

MOLEX MOLEX INCORPORATED

DOCUMENT NO.
SD-48395-001

SHEET NO.
1 OF 1