



Chipsmall Limited consists of a professional team with an average of over 10 year of expertise in the distribution of electronic components. Based in Hongkong, we have already established firm and mutual-benefit business relationships with customers from,Europe,America and south Asia,supplying obsolete and hard-to-find components to meet their specific needs.

With the principle of “Quality Parts,Customers Priority,Honest Operation,and Considerate Service”,our business mainly focus on the distribution of electronic components. Line cards we deal with include Microchip,ALPS,ROHM,Xilinx,Pulse,ON,Everlight and Freescale. Main products comprise IC,Modules,Potentiometer,IC Socket,Relay,Connector.Our parts cover such applications as commercial,industrial, and automotives areas.

We are looking forward to setting up business relationship with you and hope to provide you with the best service and solution. Let us make a better world for our industry!



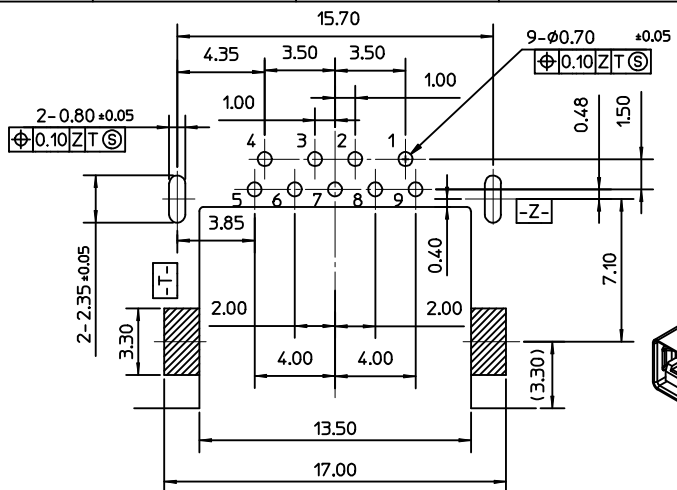
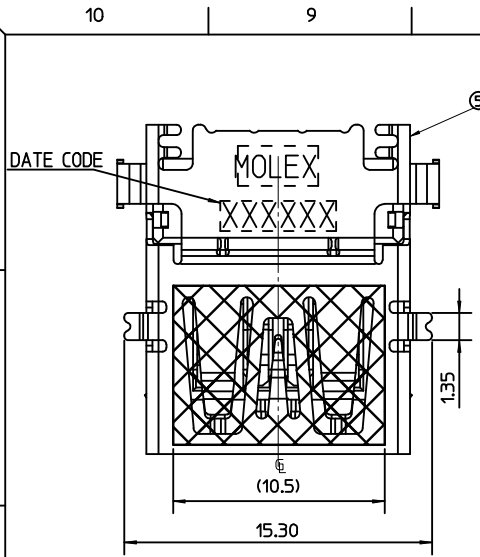
Contact us

Tel: +86-755-8981 8866 Fax: +86-755-8427 6832

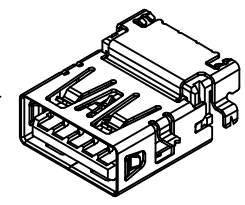
Email & Skype: info@chipsmall.com Web: www.chipsmall.com

Address: A1208, Overseas Decoration Building, #122 Zhenhua RD., Futian, Shenzhen, China





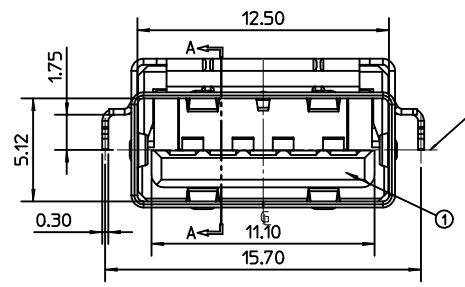
RECOMMENDED PCB LAYOUT (T=1.20mm)
GENERAL TOLERANCE ±0.05



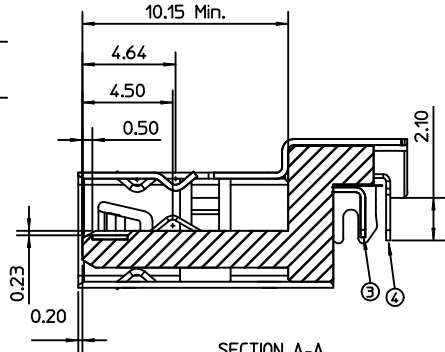
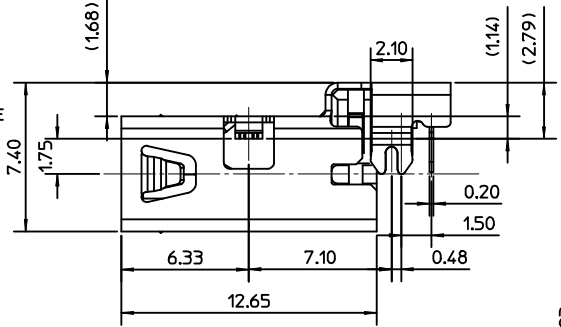
- NOTES:
- MATERIAL:
 - HOUSING: THERMOPLASTIC, HIGH TEMP., UL94V-0, COLOR: BLUE
 - CONTACT: COPPER ALLOY
 - SHELL: STAINLESS STEEL
 - FINISH:
 - CONTACT: PLS. SEE TABLE INFORMATION
 - SOLDER TAIL PLATING: MATT TIN OVER NICKEL
 - UNDERPLATING: NICKEL OVER ALL
 - SHELL: NICKEL PLATING OVER ALL
 - SPEC. PLS. REFER TO PS- 48397-001
 - PACKAGE PLS. REFER TO PK- 48397-001
 - LEAD FREE AND ROHS COMPLIANT PRODUCT
 - DATE CODE

YEAR: 1=2011
MONTH: A(JAN), B(FEB)
DATE: 8=08

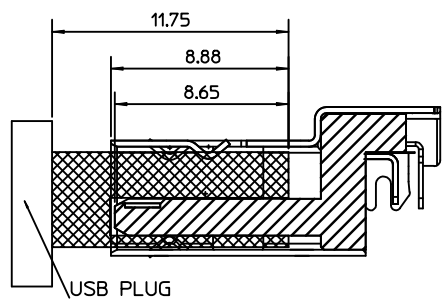
1 A 08 X X
REMARK
PRODUCE PLACE



CENTER LINE
OF 5.12



SECTION A-A

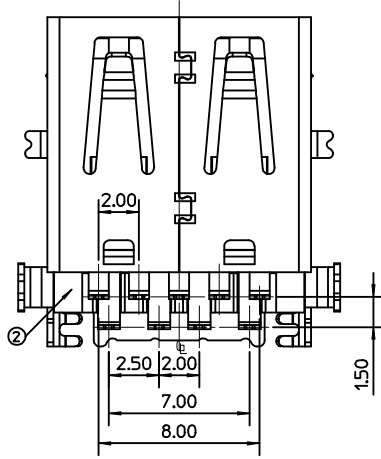


USB PLUG

TABLE

| PLATING | MOLEX P/N |
|--------------------|------------|
| 30u GOLD | 48397-0001 |
| 2u GOLD&30u Pd-Ni | 48397-0002 |
| 15u GOLD | 48397-0003 |
| GOLD FLASH(3u MIN) | 48397-0004 |

| No. | DESCRIPTION | MATERIAL |
|-----|-------------|-----------------|
| 5 | METAL SHELL | STAINLESS STEEL |
| 4 | TERMINAL A | COPPER ALLOY |
| 3 | TERMINAL B | COPPER ALLOY |
| 2 | SPACER | THERMOPLASTIC |
| 1 | HOUSING | THERMOPLASTIC |



| SHELL | SIGNAL NAME |
|-------|-------------|
| 9 | STDA_SSTX+ |
| 8 | STDA_SSTX- |
| 7 | GND_DRAIN |
| 6 | STDA_SSRX+ |
| 5 | STDA_SSRX- |
| 4 | GND |
| 3 | D+ |
| 2 | D- |
| 1 | VBUS |

RELEASE
EC NO: DRWN:FANG05 2013/10/20
CHKD: APPR:

QUALITY SYMBOLS
FA=0
FT=0
PT=0

GENERAL TOLERANCES (UNLESS SPECIFIED)
mm INCH
4 PLACES
3 PLACES
2 PLACES ±0.25
1 PLACE ±0.25
ANGULAR ±3°
DRAFT WHERE APPLICABLE
MUST REMAIN WITHIN DIMENSIONS

DIMENSION STYLE
MM ONLY
DRAWN BY DATE
Wan.Bo 2013/04/05
CHECKED BY DATE
SAM 2013/04/05
APPROVED BY DATE
JASON 2013/04/05
MATERIAL NO.
SEE TABLE
SIZE
A4

SCALE
1:1
DESIGN UNITS
METRIC
THIRD ANGLE PROJECTION
TITLE
USB3.0 REVERSE SINK A
TYPE CH=1.75mm T/H R/A
molex MOLEX INCORPORATED
DOCUMENT NO.
SD-48397-001
SHEET NO.
1 OF 1