



Chipsmall Limited consists of a professional team with an average of over 10 year of expertise in the distribution of electronic components. Based in Hongkong, we have already established firm and mutual-benefit business relationships with customers from,Europe,America and south Asia,supplying obsolete and hard-to-find components to meet their specific needs.

With the principle of "Quality Parts,Customers Priority,Honest Operation,and Considerate Service",our business mainly focus on the distribution of electronic components. Line cards we deal with include Microchip,ALPS,ROHM,Xilinx,Pulse,ON,Everlight and Freescale. Main products comprise IC,Modules,Potentiometer,IC Socket,Relay,Connector.Our parts cover such applications as commercial,industrial, and automotives areas.

We are looking forward to setting up business relationship with you and hope to provide you with the best service and solution. Let us make a better world for our industry!



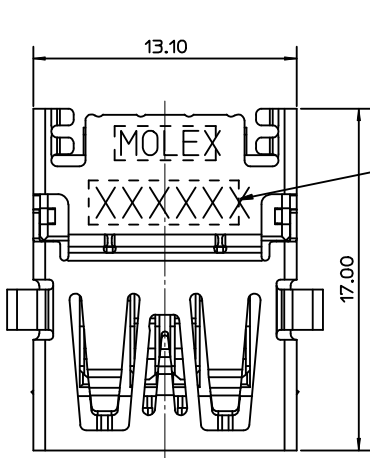
Contact us

Tel: +86-755-8981 8866 Fax: +86-755-8427 6832

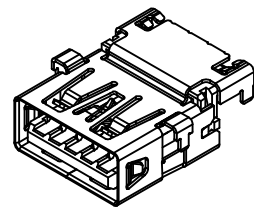
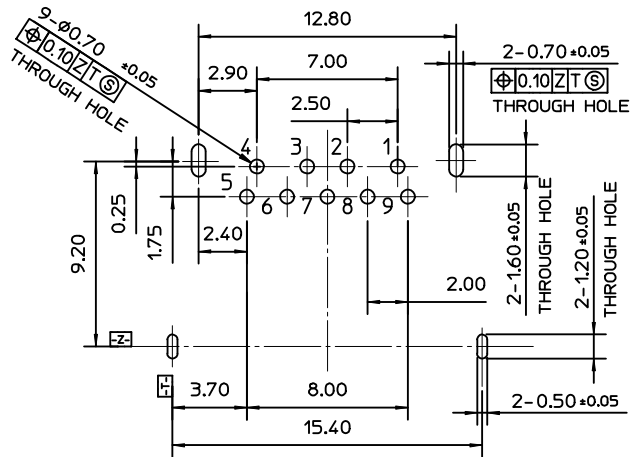
Email & Skype: info@chipsmall.com Web: www.chipsmall.com

Address: A1208, Overseas Decoration Building, #122 Zhenhua RD., Futian, Shenzhen, China





DATE CODE



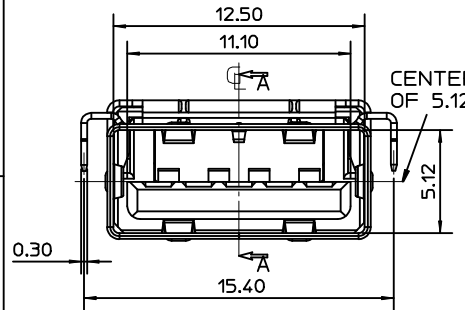
NOTES:
 1. MATERIAL:
 1.1 HOUSING: THERMOPLASTIC, HIGH TEMP., UL94V-0, COLOR: BLUE
 1.2 CONTACT: COPPER ALLOY
 1.3 SHELL: STAINLESS STEEL
 2. FINISH:
 2.1 CONTACT: PLS. SEE TABLE INFORMATION
 SOLDER TAIL PLATING: MATT TIN OVER NICKEL
 UNDERPLATING: NICKEL OVER ALL
 2.2 SHELL: NICKEL PLATING OVER ALL
 3. SPEC. PLS. REFER TO PS-48398-001
 4. PACKAGE PLS. REFER TO PK-48398-001
 5. LEAD FREE AND ROHS COMPLIANT PRODUCT
 6. DATE CODE

YEAR: 1=2011
 MONTH: A(JAN), B(FEB)
 DATE: 8=08
 1 A 08 X X
 REMARK
 PRODUCE PLACE

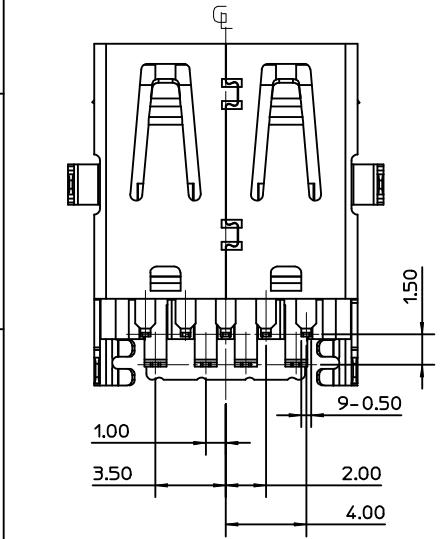
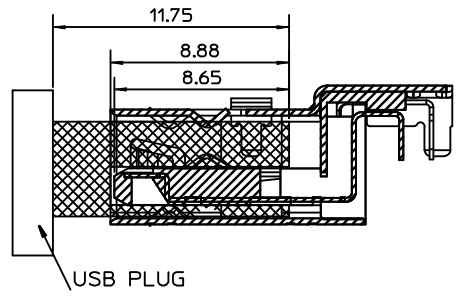
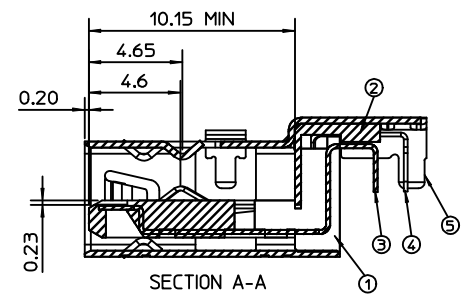
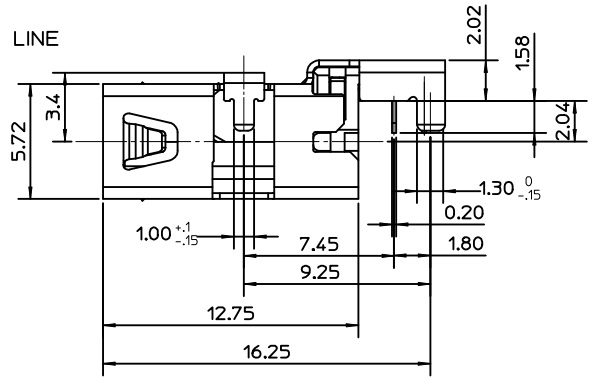
RECOMMEND PCB LAYOUT COMPONENT SIDE
 DEFAULT TOLERANCES ±0.05 P.C.B THICKNESS=1.20mm

TABLE

PLATING	MOLEX P/N
30u' GOLD	48398-0001
2u'GOLD&30u'Pd-Ni	48398-0002
15u' GOLD	48398-0003
GOLD FLASH(3u' MIN)	48398-0004



CENTER LINE OF 5.12



SHELL	SHIELD
9	STDA_SSTX+
8	STDA_SSTX-
7	GND_DRAIN
6	STDA_SSRX+
5	STDA_SSRX-
4	GND
3	D+
2	D-
1	VBUS
PIN NO.	SIGNAL NAME

RELEASE
 EC NO: DRW/NFYAGN05 2013/10/20
 CHKD:
 APPR:

QUALITY SYMBOLS
 F_A=0
 F_E=0
 F_V=0

GENERAL TOLERANCES (UNLESS SPECIFIED)

	mm	INCH
4 PLACES	±	±
3 PLACES	±	±
2 PLACES	±0.25	±
1 PLACE	±0.25	±

 ANGULAR±3°
 DRAFT WHERE APPLICABLE
 MUST REMAIN WITHIN DIMENSIONS

DIMENSION STYLE
 MM ONLY
 DRAWN BY: SKQI
 DATE: 2013/06/17
 CHECKED BY: JERRY
 DATE: 2013/06/17
 APPROVED BY: JASON
 DATE: 2013/06/17
 MATERIAL NO.
 SEE TABLE

SCALE: 1:1
 DESIGN UNITS: METRIC
 THIRD ANGLE PROJECTION
 TITLE: USB3.0 REVERSE SINK A R/A T/H CH=2.04mm
 MOLEX INCORPORATED
 DOCUMENT NO.: SD-48398-001
 SHEET NO.: 1 OF 1

NO.	DESCRIPTION	MATERIAL
5	METAL SHELL	STAINLESS STEEL
4	TERMINAL A	COPPER ALLOY
3	TERMINAL B	COPPER ALLOY
2	SPACER	THERMOPLASTIC
1	HOUSING	THERMOPLASTIC