



Chipsmall Limited consists of a professional team with an average of over 10 year of expertise in the distribution of electronic components. Based in Hongkong, we have already established firm and mutual-benefit business relationships with customers from,Europe,America and south Asia,supplying obsolete and hard-to-find components to meet their specific needs.

With the principle of “Quality Parts,Customers Priority,Honest Operation,and Considerate Service”,our business mainly focus on the distribution of electronic components. Line cards we deal with include Microchip,ALPS,ROHM,Xilinx,Pulse,ON,Everlight and Freescale. Main products comprise IC,Modules,Potentiometer,IC Socket,Relay,Connector.Our parts cover such applications as commercial,industrial, and automotives areas.

We are looking forward to setting up business relationship with you and hope to provide you with the best service and solution. Let us make a better world for our industry!



Contact us

Tel: +86-755-8981 8866 Fax: +86-755-8427 6832

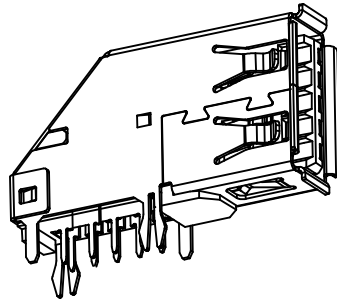
Email & Skype: info@chipsmall.com Web: www.chipsmall.com

Address: A1208, Overseas Decoration Building, #122 Zhenhua RD., Futian, Shenzhen, China



Pin Number	Signal Name	Description
1	VBUS	Power
2	D-	USB2.0 differential pair
3	D+	
4	GND	Ground for power return
5	StdA_SSRX-	SuperSpeed receiver differential pair
6	StdA_SSRX+	
7	GND_DRAIN	Ground for signal return
8	StdA_SSTX-	SuperSpeed transmitter differential pair
9	StdA_SSTX+	
Shell	Shield	Connector metal shell

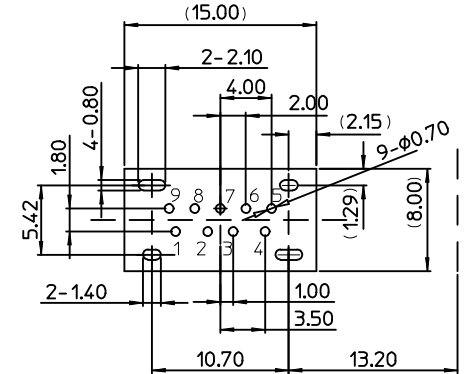
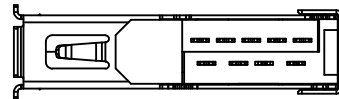
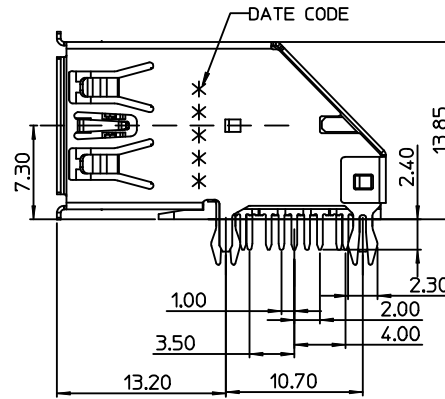
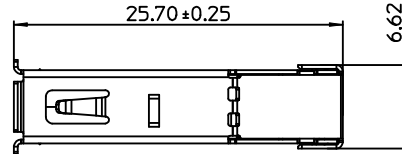
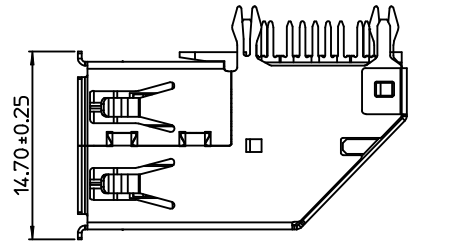
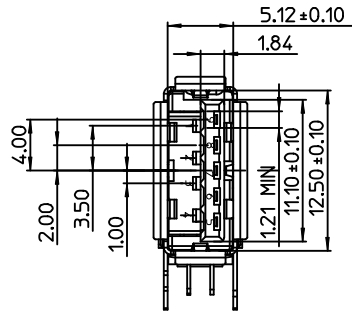
USB3.0 Standard-A Connector
Pin Assignments



NOTES:
1.MATERIAL:
HOUSING: THERMOPLASTIC, GLASS FIBER FILLED, HALOGEN FREE, UL94-HB, COLOR: BLUE.
USB2.0 CONTACT: COPPER ALLOY.
USB3.0 CONTACT: COPPER ALLOY.
SHELL: STAINLESS STEEL.
2.FINISH:
CONTACT:
SELECTIVE GOLD(Au) IN CONTACT AREA(SEE TABLE)
SELECTIVE MATTE TIN(Sn) ALLOY IN SOLDER TAIL
AREA THICKNESS=120 MICROINCH MINIMUM.
NICKEL(Ni) OVERALL THICKNESS=80 MICROINCH

MINIMUM.
SHELL-NICKEL(Ni) OVERALL THICKNESS=30 MICROINCH MINIMUM.
3. PRODUCT SPECIFICATION REFERS TO PS-48404-001
4. PACKAGE SPECIFICATION REFERS TO PK-48404-001
5. TEST SUMMARY REFERS TO TS-48404-001
6. LEAD FREE AND RoHS COMPLIANT PRODUCT.
7. DATE CODE:

X X X X X
YEAR WEEK DAY



RECOMMEND P.C.B
LAYOUT(THICKNESS=1.2mm)
(COMPONENT SIDE) TOLERANCE±0.05

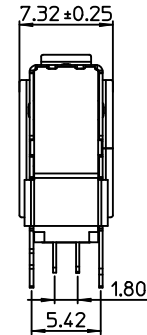


TABLE	
PLATING	P/N
30u" Au	48404-0001
2u" Au & 30u" Pd-Ni	48404-0002
15u" Au	48404-0003
GOLD FLASH(3u" Au MIN.)	48404-0004

RELEASE EC NO: DRWN: FYANG05 2013/10/20 CHKD: CHIKD: APPR: APP:	DESCRIPTION REV	QUALITY SYMBOLS	GENERAL TOLERANCES (UNLESS SPECIFIED)	DIMENSION STYLE	SCALE	DESIGN UNITS	THIRD ANGLE PROJECTION
		$\nabla = 0$ $\nabla = 0$ $\nabla = 0$	mm INCH 4 PLACES ± ± 3 PLACES ± ± 2 PLACES ± 0.20 ± 1 PLACE ± 0.25 ± ANGULAR ± °	DRAWN BY: RUBY DATE: 2013.9.18 CHECKED BY: FYANG DATE: 2013.9.18 APPROVED BY: RZHANG DATE: 2013.9.18	TITLE USB 3.0 CONNECTOR A RECEPTACLE SIDE 90° DIP TYPE(H=7.3mm)		
		DRAFT WHERE APPLICABLE MUST REMAIN WITHIN DIMENSIONS	MATERIAL NO. SEE TABLE	MOLEX INCORPORATED DOCUMENT NO. SD-48404-001	SHEET NO. 1 OF 1		
		SIZE A3	THIS DRAWING CONTAINS INFORMATION THAT IS PROPRIETARY TO MOLEX INCORPORATED AND SHOULD NOT BE USED WITHOUT WRITTEN PERMISSION				