



Chipsmall Limited consists of a professional team with an average of over 10 year of expertise in the distribution of electronic components. Based in Hongkong, we have already established firm and mutual-benefit business relationships with customers from,Europe,America and south Asia,supplying obsolete and hard-to-find components to meet their specific needs.

With the principle of "Quality Parts,Customers Priority,Honest Operation,and Considerate Service",our business mainly focus on the distribution of electronic components. Line cards we deal with include Microchip,ALPS,ROHM,Xilinx,Pulse,ON,Everlight and Freescale. Main products comprise IC,Modules,Potentiometer,IC Socket,Relay,Connector.Our parts cover such applications as commercial,industrial, and automotives areas.

We are looking forward to setting up business relationship with you and hope to provide you with the best service and solution. Let us make a better world for our industry!



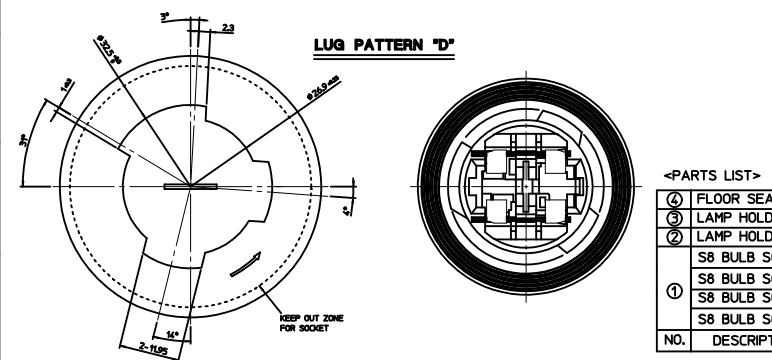
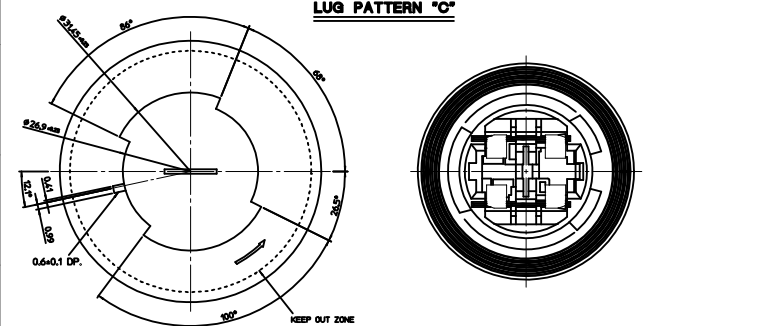
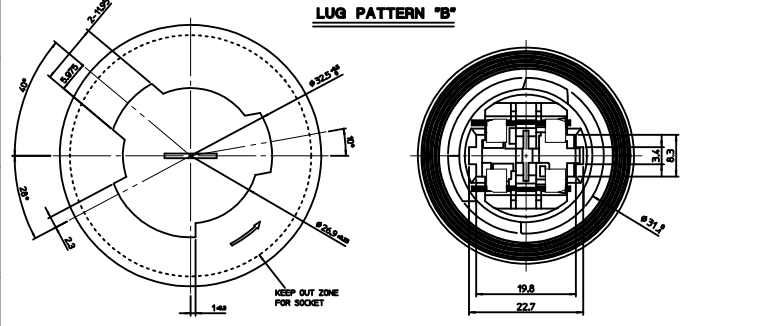
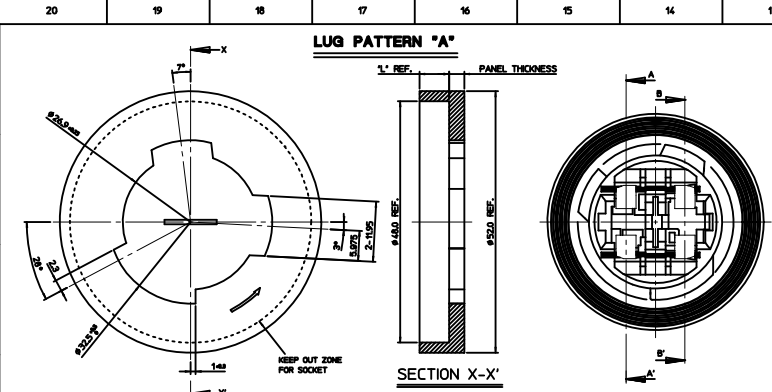
Contact us

Tel: +86-755-8981 8866 Fax: +86-755-8427 6832

Email & Skype: info@chipsmall.com Web: www.chipsmall.com

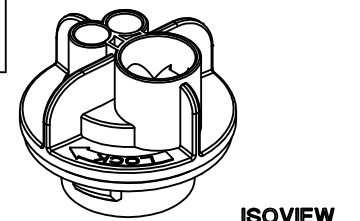
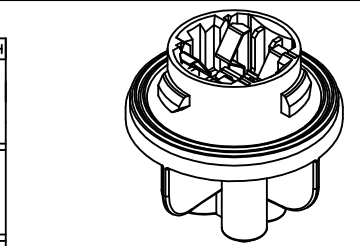
Address: A1208, Overseas Decoration Building, #122 Zhenhua RD., Futian, Shenzhen, China



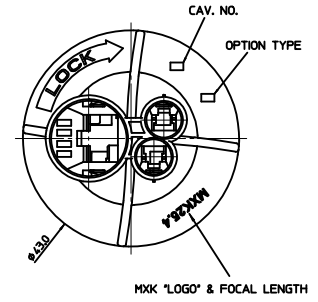
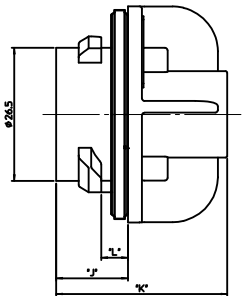


<TABLE 1>

LUG PATTERN	MATERIAL NO.	ORDER NO.	FOCAL LENGTH	LUG PATTERN	MATERIAL NO.	ORDER NO.	FOCAL LENGTH
'A'	104035032*	104035-032*	20.85	'A'	104037032*	104037-032*	29.45
'B'	104035031*	104035-031*		'B'	104037031*	104037-031*	
'C'	104035033*	104035-033*		'C'	104037033*	104037-033*	
'D'	104035034*	104035-034*		'D'	104037034*	104037-034*	
'A'	104036032*	104036-032*	22.35	'A'	104038032*	104038-032*	31.50
'B'	104036031*	104036-031*		'B'	104038031*	104038-031*	
'C'	104036033*	104036-033*		'C'	104038033*	104038-033*	
'D'	104036034*	104036-034*		'D'	104038034*	104038-034*	
'A'	49454032*	49454-032*	25.40	'A'	104039032*	104039-032*	34.90
'B'	49454031*	49454-031*		'B'	104039031*	104039-031*	
'C'	49454033*	49454-033*		'C'	104039033*	104039-033*	
'D'	49454034*	49454-034*		'D'	104039034*	104039-034*	



ISOVIEW

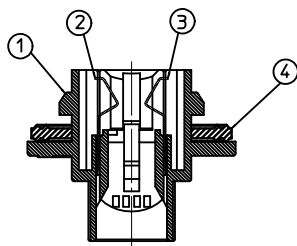
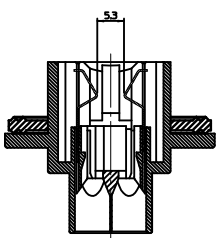


TYPE
0-SEALED
1-UNSEALED

LUG PATTERN
1 - LUG PATTERN 'B'
2 - LUG PATTERN 'A'
3 - LUG PATTERN 'C'
4 - LUG PATTERN 'D'

XXXXXX - XXXXX

MXK SERIES NO. CIRCUIT NO. SOCKET COLOR
0 - NATURAL
1 - BLACK
5 - GRAY



SECTION A-A'

SECTION B-B'

ORDER NO.	FOCAL LENGTH	PANEL THICKNESS	SEAL THICKNESS	'L'	'J'	'K'
104035-XXXX	20.85	3.00mm ±0.1	3.8mm	5.90	10.40	34.0
104036-XXXX	22.35	3.00mm ±0.1	3.8mm	5.90	11.80	34.0
49454-XXXX	25.40	2.79mm ±0.1	3.3mm	5.90	14.25	34.0
104037-XXXX	29.45	3.00mm ±0.1	3.8mm	5.90	18.90	35.0
104038-XXXX	31.50	3.00mm ±0.1	3.8mm	5.90	20.95	35.0
104039-XXXX	34.90	3.00mm ±0.1	3.8mm	5.90	24.35	35.0

- <NOTES>
1. APPLICABLE LAMP : P2717W
 2. PART MUST CONFORM TO SAE/USCAR-15.
 3. MATES WITH

DESCRIPTION	MATERIAL	PART NO.	WIRE RANGE
SINGLE TERMINAL	BRASS	49869-9702	0.5~0.85mm ²
DOUBLE TERMINAL	BRASS	49868-9702	0.5~0.85mm ²
WIRE SEAL - S	SILICONE	49454-9002	1.8~2.2mm(INS. DIA.)
WIRE SEAL - L	SILICONE	49454-9003	1.8~2.2mm(INS. DIA.)
DUMMY SEAL	SILICONE	49454-9004	-

<PARTS LIST>

NO.	DESCRIPTION	MATERIAL	USAGE	REMARK
④	FLOOR SEAL	SILICONE	1	WHITE
③	LAMP HOLDER-R	SUS	1	UNPLATED
②	LAMP HOLDER-L	SUS	1	UNPLATED
①	S8 BULB SOCKET - D	PPE+PA, GF 30%	1	-
	S8 BULB SOCKET - C	PPE+PA, GF 30%		
	S8 BULB SOCKET - B	PPE+PA, GF 30%		
	S8 BULB SOCKET - A	PPE+PA, GF 30%		

REVISED EC NO: KOR2010-0103 2010/10/27 DRW:NEEKIM CHK:BCY00N APPR:YUNSIKIM 2010/10/28	QUALITY SYMBOLS ▽=0 ▽=0	GENERAL TOLERANCES (UNLESS SPECIFIED) mm INCH 4 PLACES ± --- ± --- 3 PLACES ± 0.20 ± --- 2 PLACES ± 0.20 ± --- 1 PLACE ± 0.30 ± --- ANGULAR ± 1°	DIMENSION STYLE MM ONLY	SCALE 2:1	DESIGN UNITS METRIC	THIRD ANGLE PROJECTION
				DRAWN BY SMK1M	DATE 2009/03/17	TITLE SEALED S8 BULB SOCKET -AXIAL TYPE-
A1	DESCRIPTION	DRAFT WHERE APPLICABLE MUST REMAIN WITHIN DIMENSIONS	SEE TABLE 1	MOLEX INCORPORATED		
				SD-49454-001		