



Chipsmall Limited consists of a professional team with an average of over 10 year of expertise in the distribution of electronic components. Based in Hongkong, we have already established firm and mutual-benefit business relationships with customers from,Europe,America and south Asia,supplying obsolete and hard-to-find components to meet their specific needs.

With the principle of "Quality Parts,Customers Priority,Honest Operation,and Considerate Service",our business mainly focus on the distribution of electronic components. Line cards we deal with include Microchip,ALPS,ROHM,Xilinx,Pulse,ON,Everlight and Freescale. Main products comprise IC,Modules,Potentiometer,IC Socket,Relay,Connector.Our parts cover such applications as commercial,industrial, and automotives areas.

We are looking forward to setting up business relationship with you and hope to provide you with the best service and solution. Let us make a better world for our industry!



Contact us

Tel: +86-755-8981 8866 Fax: +86-755-8427 6832

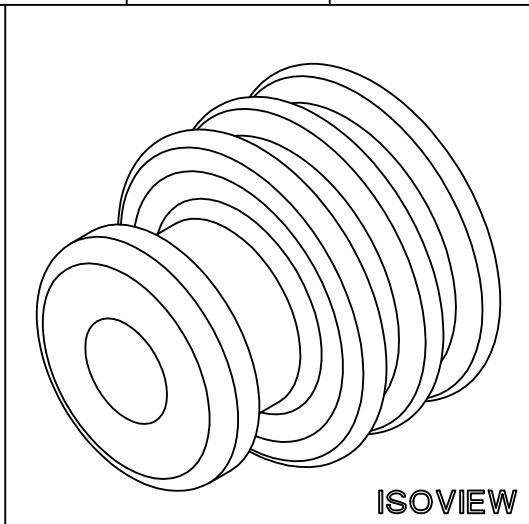
Email & Skype: info@chipsmall.com Web: www.chipsmall.com

Address: A1208, Overseas Decoration Building, #122 Zhenhua RD., Futian, Shenzhen, China

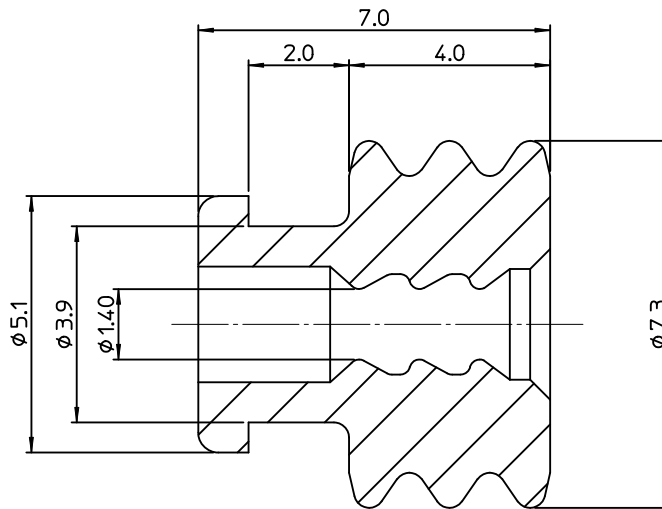
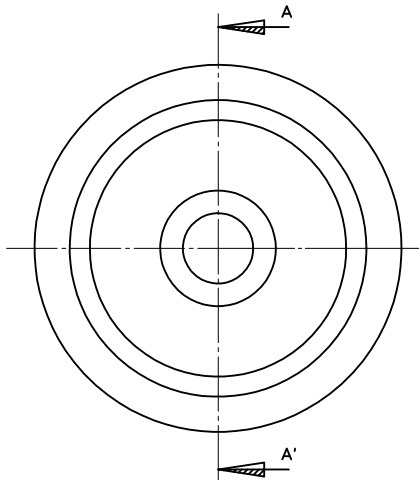


<NOTE>

1. MATERIAL : INTERNALLY LUBRICATED SILICONE
2. COLOR : RED
3. APPLICABLE SOCKET ASS'Y : 49454, 104035, 104036
104037, 104038, 104039
4. APPLICABLE WIRE : 1.8mm~2.2mm



ISOVIEW



SECTION A-A'

<TABLE 1>

MATERIAL NO.	ORDER NO.
494549002	49454-9002
DESIGN UNITS METRIC	THIRD ANGLE PROJECTION

REVISED EC NO: KOR2010-0103 DRW: ECKIM 2010/10/27 CHK: BGYOON 2010/10/28 APPR: YUNSIKKIM 2010/10/28 A1	QUALITY SYMBOLS ▽=0 ◻=0	GENERAL TOLERANCES (UNLESS SPECIFIED)		DIMENSION STYLE MM ONLY		SCALE 10:1	TITLE S8 BULB SOCKET WIRE SEAL-S	
		4 PLACES	± ---	± ---	DRAWN BY	DATE		MOLEX INCORPORATED DOCUMENT NO. SD-49454-004 SHEET NO. 1 OF 1
		3 PLACES	± 0	± ---	SMK I M	2009/03/17		
		2 PLACES	± 0.15	± ---	CHECKED BY	DATE		
1 PLACE	± 0.20	± ---	BCYOON	2009/03/17				
		ANGULAR ± 1 °		APPROVED BY	DATE			
		DRAFT WHERE APPLICABLE MUST REMAIN WITHIN DIMENSIONS		EHJUNG	2009/03/17			
				MATERIAL NO.	SEE TABLE 1			
				SIZE	A3			
				THIS DRAWING CONTAINS INFORMATION THAT IS PROPRIETARY TO MOLEX INCORPORATED AND SHOULD NOT BE USED WITHOUT WRITTEN PERMISSION				