



Chipsmall Limited consists of a professional team with an average of over 10 year of expertise in the distribution of electronic components. Based in Hongkong, we have already established firm and mutual-benefit business relationships with customers from,Europe,America and south Asia,supplying obsolete and hard-to-find components to meet their specific needs.

With the principle of “Quality Parts,Customers Priority,Honest Operation,and Considerate Service”,our business mainly focus on the distribution of electronic components. Line cards we deal with include Microchip,ALPS,ROHM,Xilinx,Pulse,ON,Everlight and Freescale. Main products comprise IC,Modules,Potentiometer,IC Socket,Relay,Connector.Our parts cover such applications as commercial,industrial, and automotives areas.

We are looking forward to setting up business relationship with you and hope to provide you with the best service and solution. Let us make a better world for our industry!



## Contact us

Tel: +86-755-8981 8866 Fax: +86-755-8427 6832

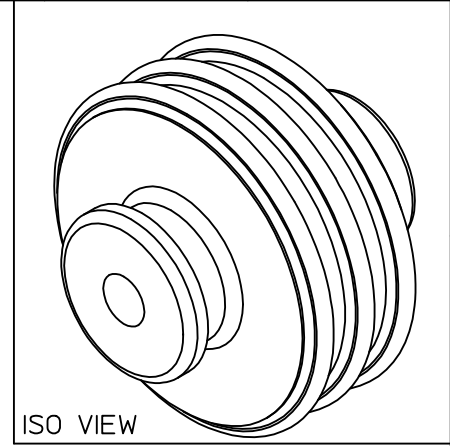
Email & Skype: info@chipsmall.com Web: www.chipsmall.com

Address: A1208, Overseas Decoration Building, #122 Zhenhua RD., Futian, Shenzhen, China

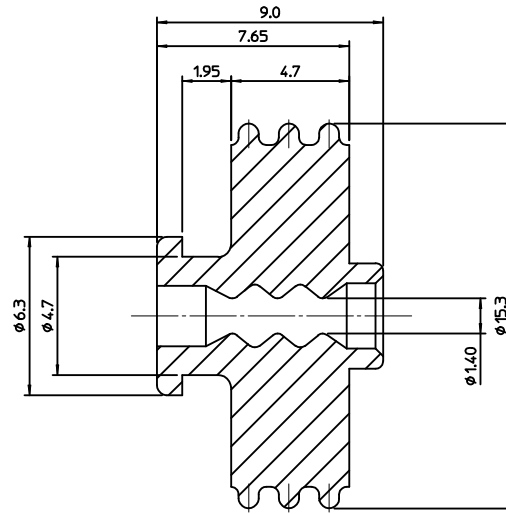
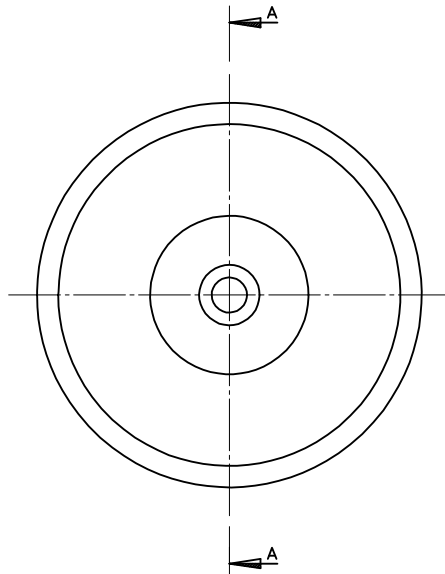


<NOTE>

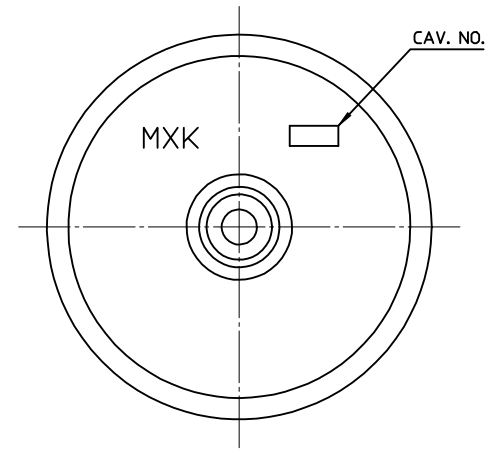
1. MATERIAL : INTERNALLY LUBRICATED SILICONE
2. COLOR : RED
3. APPLICABLE SOCKET ASS'Y : 49454, 104035, 104036  
104037, 104038, 104039
4. APPLICABLE WIRE : 1.8mm~2.2mm



ISO VIEW



SECTION A-A'



<TABLE 1>

MATERIAL NO.	ORDER NO.
494549003	49454-9003

<b>NEW RELEASED</b> EC NO: KOR2009-0135 DRWNS:MKIM 2009/03/25 CHKD:BCYOON 2009/04/07 APPR:YUNS IKKIM 2009/04/07	DESCRIPTION 1	QUALITY SYMBOLS	GENERAL TOLERANCES (UNLESS SPECIFIED)	DIMENSION STYLE	SCALE	DESIGN UNITS	THIRD ANGLE PROJECTION															
		$\nabla = 0$ $\triangle = 0$	<table border="1"> <thead> <tr> <th></th> <th>mm</th> <th>INCH</th> </tr> </thead> <tbody> <tr> <td>4 PLACES</td> <td>± ---</td> <td>± ---</td> </tr> <tr> <td>3 PLACES</td> <td>± 0</td> <td>± ---</td> </tr> <tr> <td>2 PLACES</td> <td>± 0.15</td> <td>± ---</td> </tr> <tr> <td>1 PLACE</td> <td>± 0.2</td> <td>± ---</td> </tr> </tbody> </table>		mm	INCH	4 PLACES	± ---	± ---	3 PLACES	± 0	± ---	2 PLACES	± 0.15	± ---	1 PLACE	± 0.2	± ---	MM ONLY	5:1	METRIC	
			mm	INCH																		
		4 PLACES	± ---	± ---																		
3 PLACES	± 0	± ---																				
2 PLACES	± 0.15	± ---																				
1 PLACE	± 0.2	± ---																				
DRAFT WHERE APPLICABLE MUST REMAIN WITHIN DIMENSIONS	<table border="1"> <tr> <td>DRAWN BY</td> <td>DATE</td> </tr> <tr> <td>SMKIM</td> <td>2009/03/17</td> </tr> <tr> <td>CHECKED BY</td> <td>DATE</td> </tr> <tr> <td>BCYOON</td> <td>2009/03/17</td> </tr> <tr> <td>APPROVED BY</td> <td>DATE</td> </tr> <tr> <td>EHJUNG</td> <td>2009/03/17</td> </tr> </table>	DRAWN BY	DATE	SMKIM	2009/03/17	CHECKED BY	DATE	BCYOON	2009/03/17	APPROVED BY	DATE	EHJUNG	2009/03/17	TITLE	S8 BULB SOCKET WIRE SEAL-L		<b>MOLEX INCORPORATED</b>	SHEET NO. 1 OF 1				
DRAWN BY	DATE																					
SMKIM	2009/03/17																					
CHECKED BY	DATE																					
BCYOON	2009/03/17																					
APPROVED BY	DATE																					
EHJUNG	2009/03/17																					
SIZE A3	MATERIAL NO. <b>SEE TABLE1</b>	DOCUMENT NO. <b>SD-49454-003</b>	THIS DRAWING CONTAINS INFORMATION THAT IS PROPRIETARY TO MOLEX INCORPORATED AND SHOULD NOT BE USED WITHOUT WRITTEN PERMISSION																			