



Chipsmall Limited consists of a professional team with an average of over 10 year of expertise in the distribution of electronic components. Based in Hongkong, we have already established firm and mutual-benefit business relationships with customers from,Europe,America and south Asia,supplying obsolete and hard-to-find components to meet their specific needs.

With the principle of “Quality Parts,Customers Priority,Honest Operation,and Considerate Service”,our business mainly focus on the distribution of electronic components. Line cards we deal with include Microchip,ALPS,ROHM,Xilinx,Pulse,ON,Everlight and Freescale. Main products comprise IC,Modules,Potentiometer,IC Socket,Relay,Connector.Our parts cover such applications as commercial,industrial, and automotives areas.

We are looking forward to setting up business relationship with you and hope to provide you with the best service and solution. Let us make a better world for our industry!



## Contact us

Tel: +86-755-8981 8866 Fax: +86-755-8427 6832

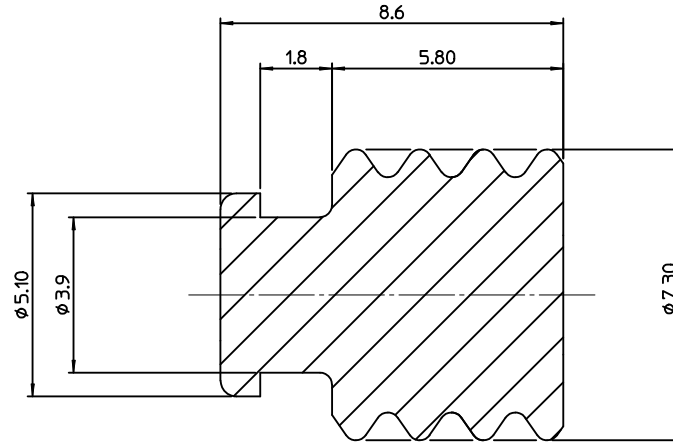
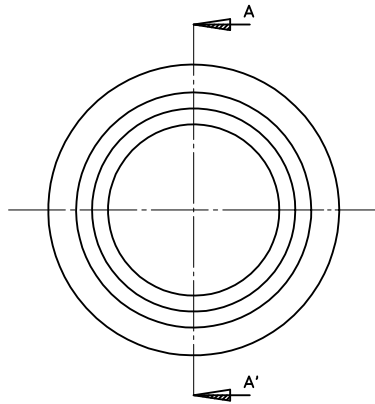
Email & Skype: info@chipsmall.com Web: www.chipsmall.com

Address: A1208, Overseas Decoration Building, #122 Zhenhua RD., Futian, Shenzhen, China

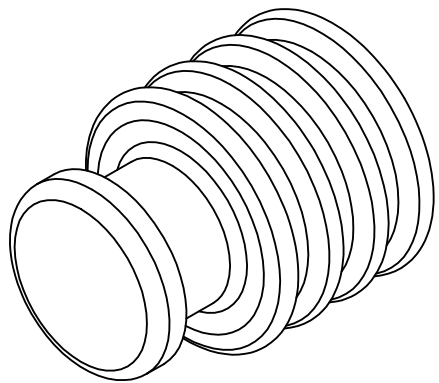
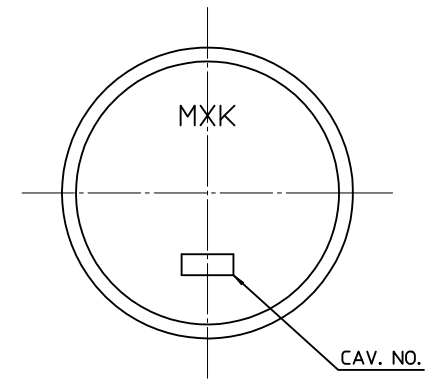


NOTES

1. MATERIAL : INTERNALLY LUBRICATED SILICONE
2. COLOR : RED
3. APPLICABLE SOCKET ASS'Y : 49454, 104035, 104036  
104037, 104038, 104039



SECTION A-A'



**ISOVIEW**

<TABLE 1>

MATERIAL NO.	ORDER NO.
494549004	49454-9004
DESIGN UNITS METRIC	THIRD ANGLE PROJECTION

<b>NEW RELEASED</b> EC NO: KOR2010-0103 DRW: EOKIM 2010/10/27 CHK: BCY00N 2010/10/28 APPR: YUNSIKKIM 2010/10/28 A	DESCRIPTION QUALITY SYMBOLS ▽=0 ▽=0	GENERAL TOLERANCES (UNLESS SPECIFIED)		DIMENSION STYLE <b>MM ONLY</b>		SCALE <b>8:1</b>	TITLE <b>S8 BULB SOCKET DUMMY SEAL</b>  <b>MOLEX INCORPORATED</b> DOCUMENT NO. SD-49454-005 SHEET NO. 1 OF 1
			mm	INCH	DRAWN BY	DATE	
		4 PLACES	±---	±---	EOKIM	2009/10/20	
		3 PLACES	±0	±---	CHECKED BY	DATE	
2 PLACES	±0.15	±---	BCY00N	2009/10/20			
1 PLACE	±0.20	±---	APPROVED BY	DATE			
ANGULAR ± 1 °				EHJUNG	2009/10/20		
DRAFT WHERE APPLICABLE MUST REMAIN WITHIN DIMENSIONS				MATERIAL NO. <b>SEE TABLE 1</b>			
				SIZE <b>A3</b>		THIS DRAWING CONTAINS INFORMATION THAT IS PROPRIETARY TO MOLEX INCORPORATED AND SHOULD NOT BE USED WITHOUT WRITTEN PERMISSION	