



Chipsmall Limited consists of a professional team with an average of over 10 year of expertise in the distribution of electronic components. Based in Hongkong, we have already established firm and mutual-benefit business relationships with customers from,Europe,America and south Asia,supplying obsolete and hard-to-find components to meet their specific needs.

With the principle of "Quality Parts,Customers Priority,Honest Operation,and Considerate Service",our business mainly focus on the distribution of electronic components. Line cards we deal with include Microchip,ALPS,ROHM,Xilinx,Pulse,ON,Everlight and Freescale. Main products comprise IC,Modules,Potentiometer,IC Socket,Relay,Connector.Our parts cover such applications as commercial,industrial, and automotives areas.

We are looking forward to setting up business relationship with you and hope to provide you with the best service and solution. Let us make a better world for our industry!



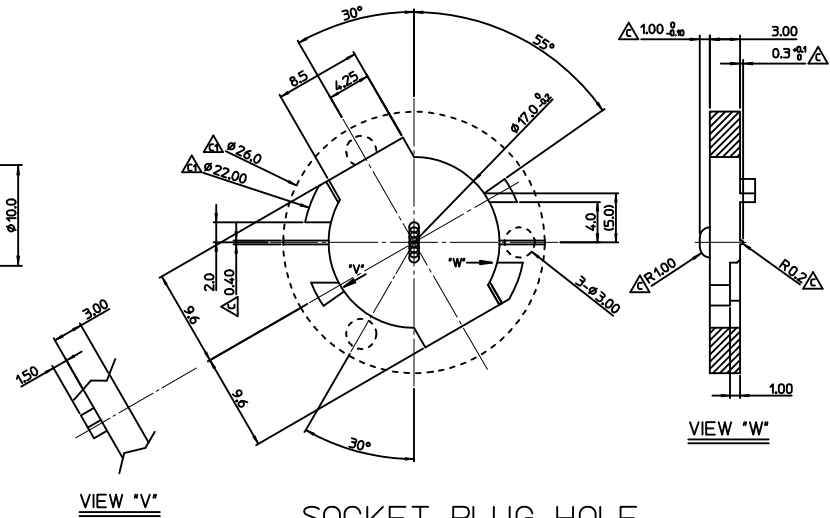
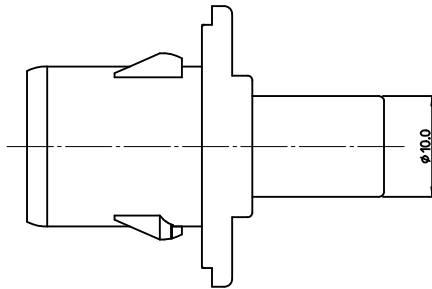
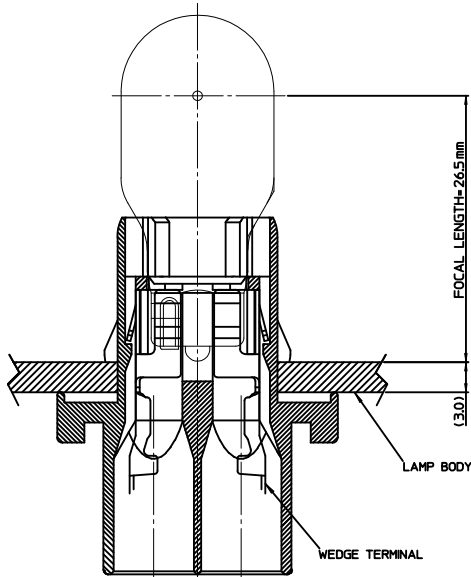
Contact us

Tel: +86-755-8981 8866 Fax: +86-755-8427 6832

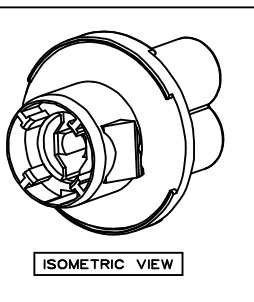
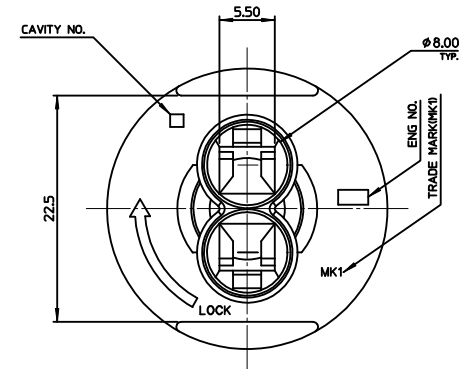
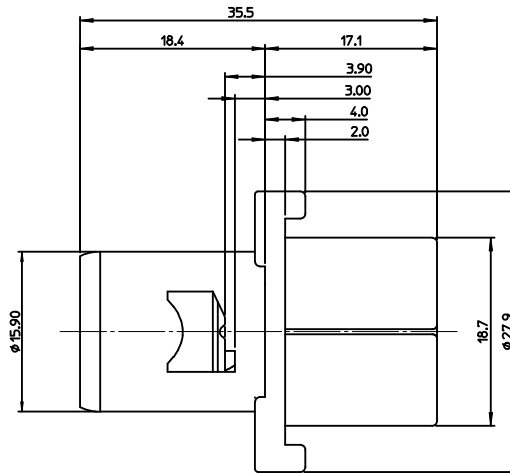
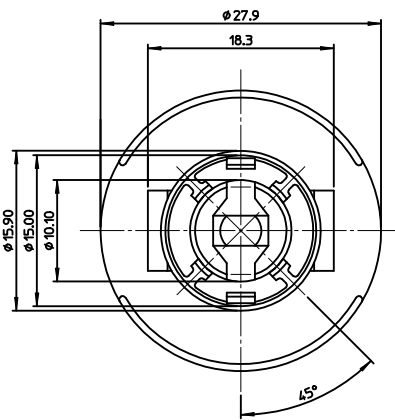
Email & Skype: info@chipsmall.com Web: www.chipsmall.com

Address: A1208, Overseas Decoration Building, #122 Zhenhua RD., Futian, Shenzhen, China





SOCKET PLUG HOLE



ISOMETRIC VIEW

NOTES

1. MATERIAL : POLYAMIDE(PA66), MINERAL FILLED, UL94HB
2. PRODUCT SPECIFICATION: PS-49505-001
3. APPLICABLE TERMINAL: 35477-9002
4. APPLICABLE WEDGE BULB CAP: W2.1X9.5d(W16w)
5. FOCAL LENGTH: 26.5mm

<TABLE 1>

| MATERIAL NO. | ORDER NO. | REMARK |
|--------------|------------|--------|
| 495050205 | 49505-0205 | GRAY |
| 495050206 | 49505-0206 | WHITE |

SCALE: 4:1
 DESIGN UNITS: METRIC
 THIRD ANGLE PROJECTION
UNSEALED W16W BULB SOCKET 2P (SOCKET LENGTH=35.5MM)
MOLEX INCORPORATED

| REVISION | DESCRIPTION | QUALITY SYMBOLS | | GENERAL TOLERANCES (UNLESS SPECIFIED) | | DIMENSION STYLE | |
|----------|--------------------------|-----------------|------|---------------------------------------|--------|-----------------|------------|
| | | mm | INCH | MM ONLY | DATE | | |
| 1 | REVISED | ▽=0 | ▽=0 | 4 PLACES ± 0.15 | ± 0.15 | SMK IM | 2004/05/12 |
| 2 | DRWNGEOKIM 2010/08/11 | | | 3 PLACES ± 0.20 | ± 0.20 | BCYOON | 2004/05/12 |
| 3 | CHKCRBYOON 2010/08/13 | | | 2 PLACES ± 0.3 | ± 0.3 | CWLEE | 2004/05/12 |
| 4 | APPROV:YNSLKM 2010/08/13 | | | 1 PLACE ± 0.5 | ± 0.5 | | |

DRAFT WHERE APPLICABLE MUST REMAIN WITHIN DIMENSIONS
 SEE TABLE 1
 MATERIAL NO. SD-49505-001
 DOCUMENT NO. 1 OF 1
 THIS DRAWING CONTAINS INFORMATION THAT IS PROPRIETARY TO MOLEX INCORPORATED AND SHOULD NOT BE USED WITHOUT WRITTEN PERMISSION