



Chipsmall Limited consists of a professional team with an average of over 10 year of expertise in the distribution of electronic components. Based in Hongkong, we have already established firm and mutual-benefit business relationships with customers from,Europe,America and south Asia,supplying obsolete and hard-to-find components to meet their specific needs.

With the principle of "Quality Parts,Customers Priority,Honest Operation,and Considerate Service",our business mainly focus on the distribution of electronic components. Line cards we deal with include Microchip,ALPS,ROHM,Xilinx,Pulse,ON,Everlight and Freescale. Main products comprise IC,Modules,Potentiometer,IC Socket,Relay,Connector.Our parts cover such applications as commercial,industrial, and automotives areas.

We are looking forward to setting up business relationship with you and hope to provide you with the best service and solution. Let us make a better world for our industry!



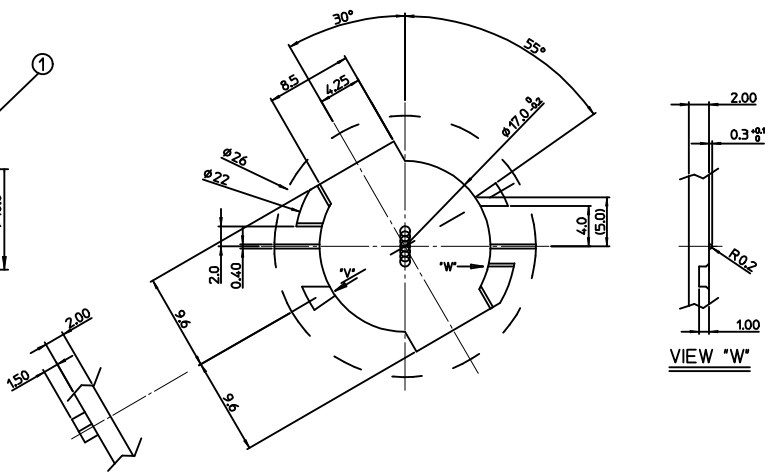
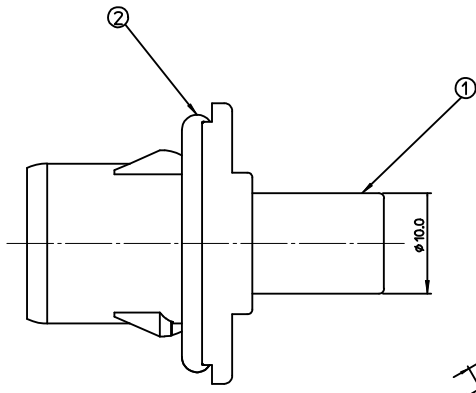
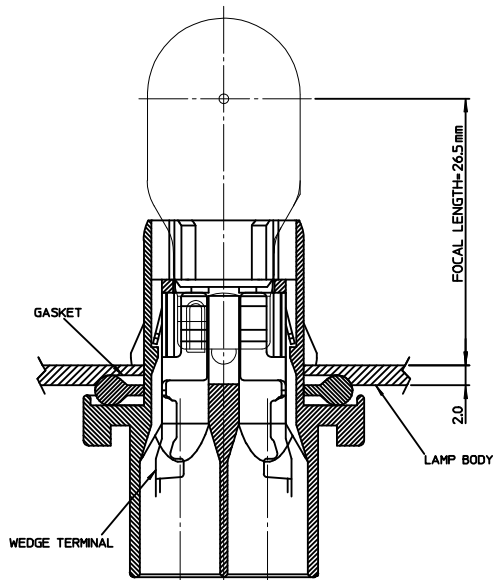
Contact us

Tel: +86-755-8981 8866 Fax: +86-755-8427 6832

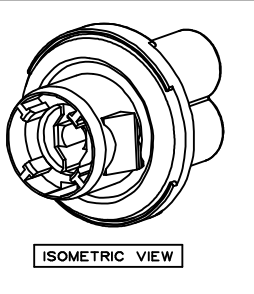
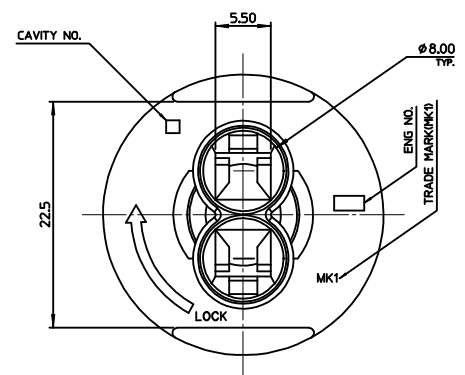
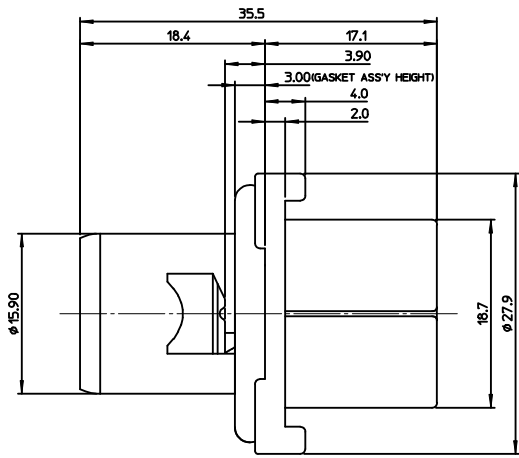
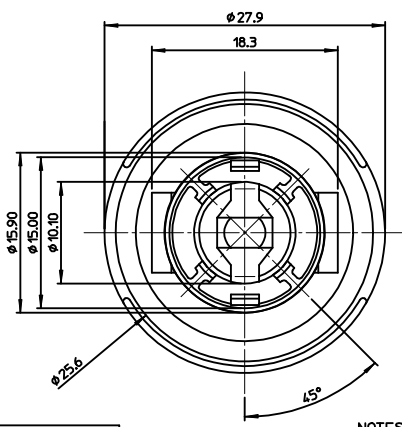
Email & Skype: info@chipsmall.com Web: www.chipsmall.com

Address: A1208, Overseas Decoration Building, #122 Zhenhua RD., Futian, Shenzhen, China





SOCKET PLUG HOLE



- NOTES
1. FOCAL LENGTH -26.5mm
 2. PRODUCT SPECIFICATION: PS-49505-001
 3. APPLICABLE WEDGE BULB CAP: W2.1X9.5d(W16W)
 4. MATES WITH

DESCRIPTION	MATERIAL	ORDER NO.	REMARK
WEDGE TERMINAL	BRASS	35477-9002	UNPLATED
TERMINAL WIRE SEAL	SILICONE	49505-9001	BLACK

<PART LIST>

NO.	DESCRIPTION	MATERIAL	USAGE	REMARK
①	WEDGE SOCKET	PA66 M/F	1	GRAY
②	GASKET	SILICONE	1	BLACK

<SEE TABLE 1>

MATERIAL NO.	ORDER NO.	REMARK
495050215	49505-0215	GRAY
495050216	49505-0216	WHITE

NEW RELEASED
 EC NO: KOR2010-0010
 DRAWN BY: DRWNERKIM 2009/07/29
 CHECKED BY: CHKBCYOON 2009/07/30
 APPROVED BY: APPR:YUNSIKIM 2009/07/30
 SIZE: A

QUALITY SYMBOLS	GENERAL TOLERANCES (UNLESS SPECIFIED)	DIMENSION STYLE
$\nabla=0$	mm INCH	MM ONLY
$\nabla=0$	4 PLACES ± 0.15 ± 0.15	DRAWN BY DATE
	3 PLACES ± 0.20 ± 0.20	EOKIM 2009/07/17
	2 PLACES ± 0.20 ± 0.20	CHECKED BY DATE
	1 PLACE ± 0.3 ± 0.3	BCYOON 2009/07/17
	ANGULAR $\pm 1^\circ$	APPROVED BY DATE
		EHJUNG 2009/07/17

DRAFT WHERE APPLICABLE MUST REMAIN WITHIN DIMENSIONS

SEE TABLE 1

SCALE 4:1 DESIGN UNITS METRIC THIRD ANGLE PROJECTION

SEALD W16W BULB SOCKET 2P (SOCKET LENGTH=35.5MM)

MOLEX INCORPORATED

MATERIAL NO. DOCUMENT NO. SHEET NO. 1 OF 1

SD-49505-002