



Chipsmall Limited consists of a professional team with an average of over 10 year of expertise in the distribution of electronic components. Based in Hongkong, we have already established firm and mutual-benefit business relationships with customers from,Europe,America and south Asia,supplying obsolete and hard-to-find components to meet their specific needs.

With the principle of "Quality Parts,Customers Priority,Honest Operation,and Considerate Service",our business mainly focus on the distribution of electronic components. Line cards we deal with include Microchip,ALPS,ROHM,Xilinx,Pulse,ON,Everlight and Freescale. Main products comprise IC,Modules,Potentiometer,IC Socket,Relay,Connector.Our parts cover such applications as commercial,industrial, and automotives areas.

We are looking forward to setting up business relationship with you and hope to provide you with the best service and solution. Let us make a better world for our industry!



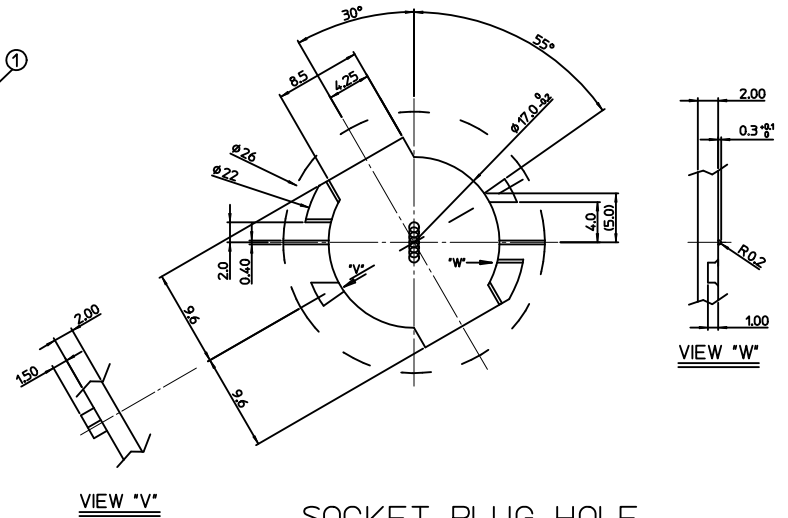
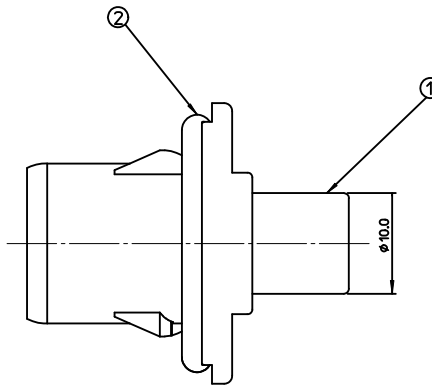
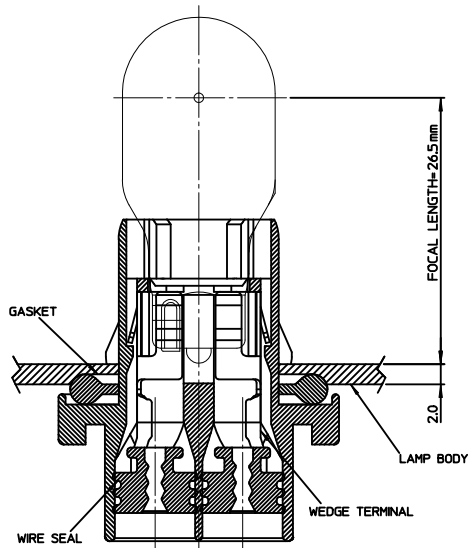
Contact us

Tel: +86-755-8981 8866 Fax: +86-755-8427 6832

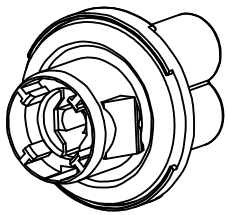
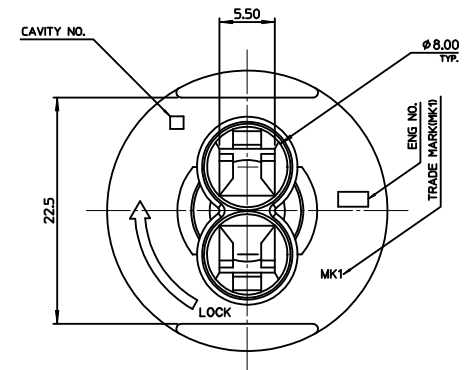
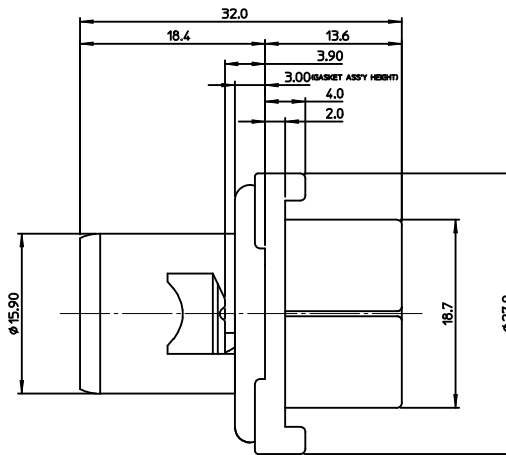
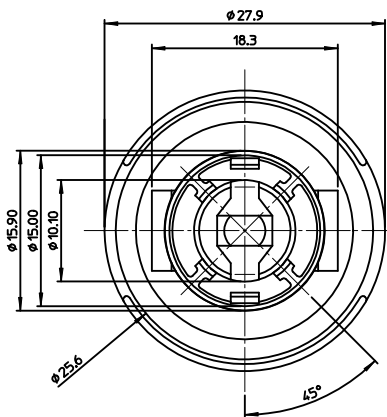
Email & Skype: info@chipsmall.com Web: www.chipsmall.com

Address: A1208, Overseas Decoration Building, #122 Zhenhua RD., Futian, Shenzhen, China





SOCKET PLUG HOLE



ISOMETRIC VIEW

- NOTES
1. FOCAL LENGTH -26.5mm
 2. PRODUCT SPECIFICATION: PS-49505-001
 3. APPLICABLE WEDGE BULB CAP: W16W(W2.1X)9.5d
 4. MATES WITH

DESCRIPTION	MATERIAL	ORDER NO.	REMARK
WEDGE TERMINAL	BRASS	35477-9002	UNPLATED
TERMINAL WIRE SEAL	SILICONE	49505-9001	BLACK

<PART LIST>

NO.	DESCRIPTION	MATERIAL	USAGE	REMARK
①	WEDGE SOCKET	PA66 M/F	1	GRAY
②	GASKET	SILICONE	1	BLACK

NEW RELEASED
 EC NO: K0R2010-0065
 DRAWN BY: DRWNEKIM 2010/02/02
 CHECK BY: CHKCHWYANG 2010/02/02
 APPR: UNSJUKIM 2010/02/02
 REV: A

QUALITY SYMBOLS
 ▽=0
 ▽=0

GENERAL TOLERANCES (UNLESS SPECIFIED)

	mm	INCH
4 PLACES	± 0.1	± 0.004
3 PLACES	± 0.15	± 0.006
2 PLACES	± 0.20	± 0.008
1 PLACE	± 0.3	± 0.012

ANGULAR ± 1°

DRAFT WHERE APPLICABLE MUST REMAIN WITHIN DIMENSIONS

DIMENSION STYLE
 MM ONLY

DRAWN BY: EOKIM 2009/07/17
 CHECKED BY: BCYON 2009/07/17
 APPROVED BY: EHYUNG 2009/07/17

MATERIAL NO. 495051215
 ORDER NO. 49505-1215
 SCALE 4:1
 DESIGN UNITS METRIC
 THIRD ANGLE PROJECTION

SEALD W16W BULB SOCKET 2P (SOCKET LENGTH=32.0MM)

MOLEX INCORPORATED

SD-49505-004

SHEET NO. 1 OF 1