



Chipsmall Limited consists of a professional team with an average of over 10 year of expertise in the distribution of electronic components. Based in Hongkong, we have already established firm and mutual-benefit business relationships with customers from,Europe,America and south Asia,supplying obsolete and hard-to-find components to meet their specific needs.

With the principle of "Quality Parts,Customers Priority,Honest Operation,and Considerate Service",our business mainly focus on the distribution of electronic components. Line cards we deal with include Microchip,ALPS,ROHM,Xilinx,Pulse,ON,Everlight and Freescale. Main products comprise IC,Modules,Potentiometer,IC Socket,Relay,Connector.Our parts cover such applications as commercial,industrial, and automotives areas.

We are looking forward to setting up business relationship with you and hope to provide you with the best service and solution. Let us make a better world for our industry!



Contact us

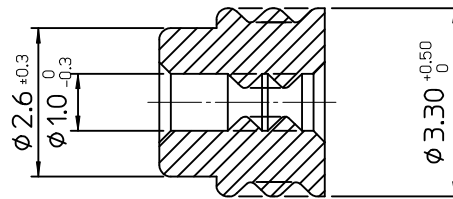
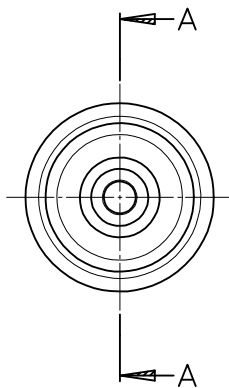
Tel: +86-755-8981 8866 Fax: +86-755-8427 6832

Email & Skype: info@chipsmall.com Web: www.chipsmall.com

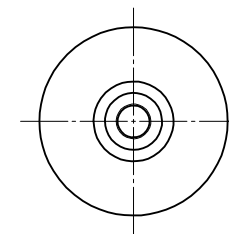
Address: A1208, Overseas Decoration Building, #122 Zhenhua RD., Futian, Shenzhen, China



7 6 5 4 3 2 1



SECTION A-A



NOTES

1. MATERIAL: SILICONE
2. COLOR:BLACK
3. FLASH:0.2mm MAX.
4. APPLICABLE WIRE:1.1mm
5. APPLICABLE TERMINAL:104493-8041

<TABLE 1>

MATERIAL NO.	ORDER NO.
1044939001	104493-9001

NEW RELEASE EC NO: KTR2013-0014 DRWN:HI MOON 2012/11/21 CHKD: APPR:	DESCRIPTION A	QUALITY SYMBOLS ▽=0 ▽=0	GENERAL TOLERANCES (UNLESS SPECIFIED)			DIMENSION STYLE MM ONLY		SCALE 10:1	DESIGN UNITS METRIC	THIRD ANGLE PROJECTION	
			mm	INCH	DRAWN BY SMKIM	DATE 2007/05/23	TITLE WIRE SEAL FOR SVM TERMINAL				
		4 PLACES	± ---	± ---	CHECKED BY BCYOON	DATE 2007/05/23					
		3 PLACES	± ---	± ---	APPROVED BY JYCHOI	DATE 2013/02/14	MATERIAL NO. SEE TABLE 1		DOCUMENT NO. SD-104493-002		SHEET NO. 1 OF 1
2 PLACES	± 0.10	± ---	DRAFT WHERE APPLICABLE MUST REMAIN WITHIN DIMENSIONS		THIS DRAWING CONTAINS INFORMATION THAT IS PROPRIETARY TO MOLEX INCORPORATED AND SHOULD NOT BE USED WITHOUT WRITTEN PERMISSION						
1 PLACE	± 0.15	± ---									
			ANGULAR ± 1 °								

6 5 4 3 2 1

E

D

C

B

A

7

6

5

4

3

2

1

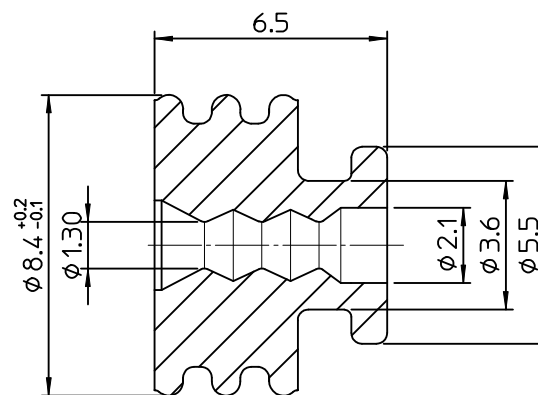
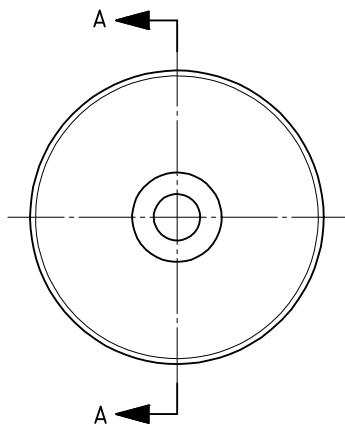
NOTES

1.MATERIAL: LUBRICATED SILICONE RUBBER,
COLOR;BALCK

2.APPLICABLE WIRE SIZE: 0.5~0.85mm²

3.APPLICABLE TERMINAL: 35477-9002,35477-9702

4.APPLICABLE SOCKET: 68147,49505



SECTION A-A

<TABLE 1>

MATERIAL NO.	ORDER NO.
495059001	49505-9001

DESIGN UNITS METRIC	THIRD ANGLE PROJECTION
------------------------	---------------------------

NEW RELEASED EC NO: KOR2010-0010 DRW: EOKIM 2009/07/29 CH: KD: BCY00N 2009/07/30 APPR: YUNSIKKIM 2009/07/30	DESCRIPTION A	QUALITY SYMBOLS = 0 = 0	GENERAL TOLERANCES (UNLESS SPECIFIED)		DIMENSION STYLE MM ONLY		SCALE 5:1	MATERIAL NO. ORDER NO.			
			4 PLACES	± ---	± ---	DRAWN BY	DATE	TITLE			
			3 PLACES	± ---	± ---	SMKIM	2007/06/04	WIRE SEAL FOR WEDGE TERMINAL			
2 PLACES	± 0.15	± ---	CHECKED BY	DATE	MATERIAL NO. ORDER NO.						
1 PLACE	± 0.2	± ---	BCY00N	2007/06/04	SD-49505-009						
ANGULAR ± 1 °			APPROVED BY	DATE	MATERIAL NO. ORDER NO.						
DRAFT WHERE APPLICABLE MUST REMAIN WITHIN DIMENSIONS			EHJUNG	2007/06/04	SD-49505-009						
			MATERIAL NO.	DATE	MATERIAL NO. ORDER NO.						
			SEE TABLE1		SD-49505-009						
			SIZE		MATERIAL NO. ORDER NO.						
			A 4		SD-49505-009						
			THIS DRAWING CONTAINS INFORMATION THAT IS PROPRIETARY TO MOLEX INCORPORATED AND SHOULD NOT BE USED WITHOUT WRITTEN PERMISSION								

6

5

4

3

2

1