



Chipsmall Limited consists of a professional team with an average of over 10 year of expertise in the distribution of electronic components. Based in Hongkong, we have already established firm and mutual-benefit business relationships with customers from,Europe,America and south Asia,supplying obsolete and hard-to-find components to meet their specific needs.

With the principle of “Quality Parts,Customers Priority,Honest Operation,and Considerate Service”,our business mainly focus on the distribution of electronic components. Line cards we deal with include Microchip,ALPS,ROHM,Xilinx,Pulse,ON,Everlight and Freescale. Main products comprise IC,Modules,Potentiometer,IC Socket,Relay,Connector.Our parts cover such applications as commercial,industrial, and automotives areas.

We are looking forward to setting up business relationship with you and hope to provide you with the best service and solution. Let us make a better world for our industry!



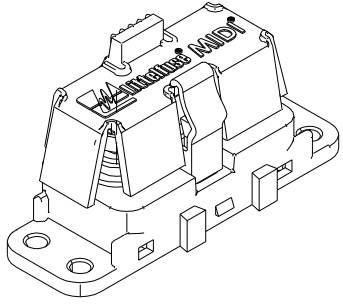
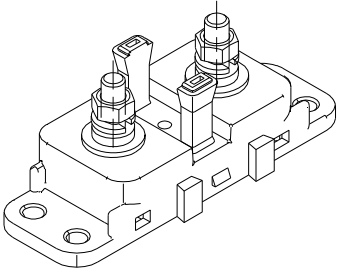
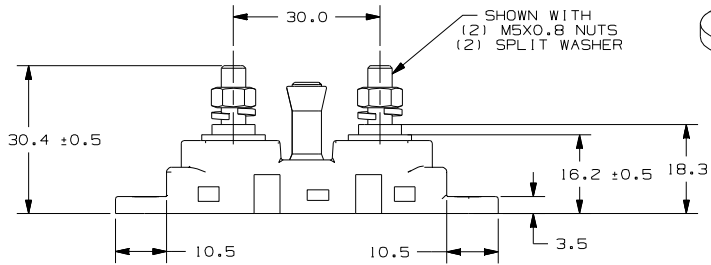
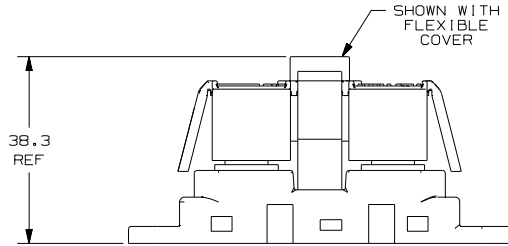
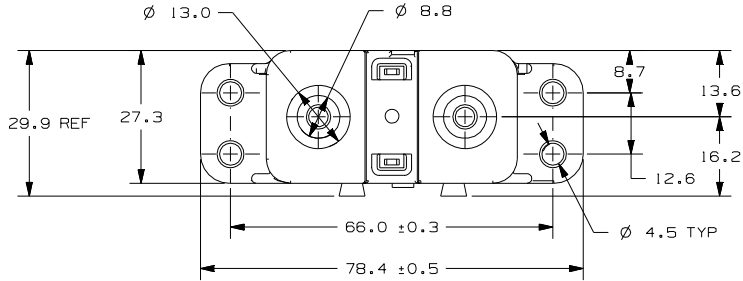
Contact us

Tel: +86-755-8981 8866 Fax: +86-755-8427 6832

Email & Skype: info@chipsmall.com Web: www.chipsmall.com

Address: A1208, Overseas Decoration Building, #122 Zhenhua RD., Futian, Shenzhen, China





- NOTES:
- 1) BASE: UL94V0, GLASS FILLED PA66, BLACK
 M5 STUDS: ZINC-PLATED STEEL
 COVER: THERMOPLASTIC ELASTOMER, BLACK
 HEX NUTS: STEEL
 LOCK WASHERS: STEEL
 - 2) MAX FUSE RATING: 200A
 - 3) M5 STUD TORQUE: 3-5.0 Nm MAX
 MOUNTING TORQUE: WITH M4 BOLTS AND WASHERS: 5Nm MAX
 - 4) TEMPERATURE RATING: -40°C TO 125°C

METRIC
ASSEMBLY

UNLESS OTHERWISE SPECIFIED, DIMENSIONS ARE IN MILLIMETERS. DIMENSIONS IN BRACKETS [] ARE INCHES UNLESS OTHERWISE SPECIFIED. DIMENSIONS DO NOT INCLUDE PLATING.		UNLESS OTHERWISE SPECIFIED, DIMENSIONS DO NOT INCLUDE PLATING.	
CPK	CP	CPK	CP
⑥			
CPK			
ST			
CP			

NO	COMPONENT NO	DESCRIPTION	QTY/M	U/M
4		SPLIT LOCK WASHER, M5	EA	2
3		HEX NUT, M5X.8	EA	2
2		COVER	EA	1
1		BASE	EA	1

UNLESS OTHERWISE SPECIFIED, DIMENSIONS ARE IN MILLIMETERS. DIMENSIONS IN BRACKETS [] ARE INCHES UNLESS OTHERWISE SPECIFIED. DIMENSIONS DO NOT INCLUDE PLATING.		UNLESS OTHERWISE SPECIFIED, DIMENSIONS DO NOT INCLUDE PLATING.	
CPK	CP	CPK	CP
⑥			
CPK			
ST			
CP			

BILL OF MATERIAL			
MATL SPEC	SEE NOTES	COPIES TO	
FINISH	SEE NOTES	1 9 18	
SCALE	1:1	2 10 19	
DATE	10/18/12	3 12 20	
DATE	SUPER DR	4 13 21	
DATE	FINISH GOOD WT	5 14 23	
DATE	GRAMS/PIECE	6 15 33	
		7 16 43	
		8 17 53	
TOLERANCES UNLESS OTHERWISE SPECIFIED (REF. ISO 2768-MK)			
DIMENSION	0.5 - 1.5	1.5 - 30	30 - 120
TOLERANCE	±0.1	±0.2	±0.3
3RD ANGLE PROJECTION			
TITLE FLEX-MIDI FUSE HOLDER			
REVISION DRWG. NO. OL-04981038HXFC			

LTR	DATE	REVISION	CHK	APD
B	10/18/12	RELEASE FOR PRODUCTION. PCA 5000006363, 10/18/12	PN	