



Chipsmall Limited consists of a professional team with an average of over 10 year of expertise in the distribution of electronic components. Based in Hongkong, we have already established firm and mutual-benefit business relationships with customers from,Europe,America and south Asia,supplying obsolete and hard-to-find components to meet their specific needs.

With the principle of “Quality Parts,Customers Priority,Honest Operation,and Considerate Service”,our business mainly focus on the distribution of electronic components. Line cards we deal with include Microchip,ALPS,ROHM,Xilinx,Pulse,ON,Everlight and Freescale. Main products comprise IC,Modules,Potentiometer,IC Socket,Relay,Connector.Our parts cover such applications as commercial,industrial, and automotives areas.

We are looking forward to setting up business relationship with you and hope to provide you with the best service and solution. Let us make a better world for our industry!



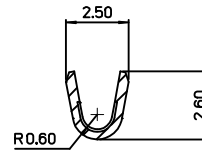
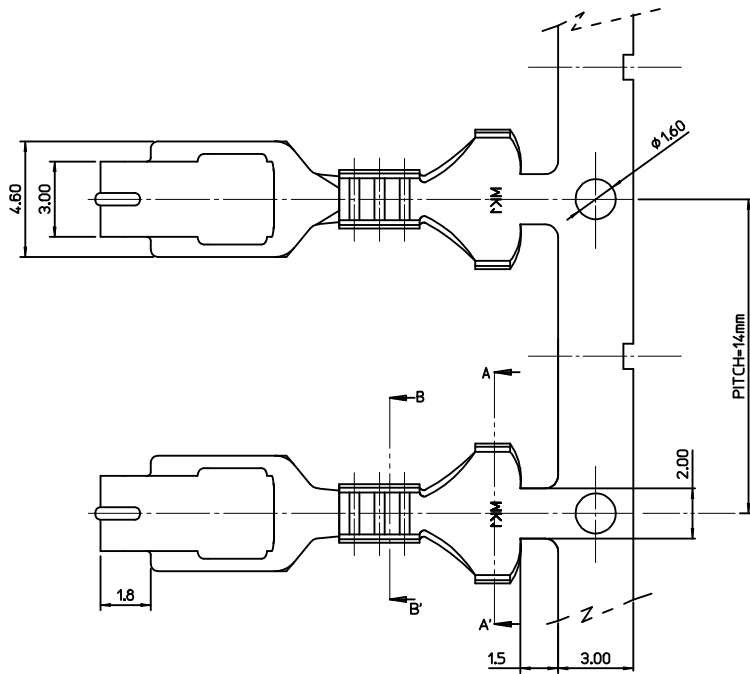
Contact us

Tel: +86-755-8981 8866 Fax: +86-755-8427 6832

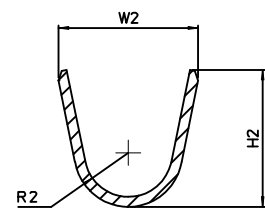
Email & Skype: info@chipsmall.com Web: www.chipsmall.com

Address: A1208, Overseas Decoration Building, #122 Zhenhua RD., Futian, Shenzhen, China

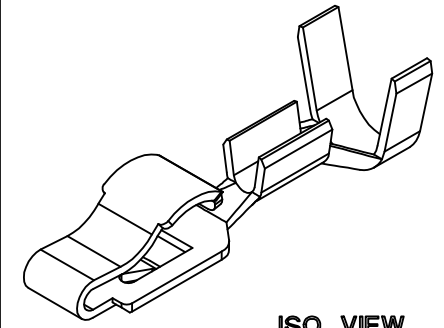




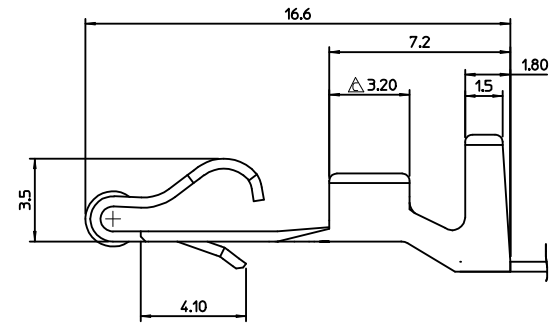
SECTION B-B'



SECTION A-A'



ISO VIEW

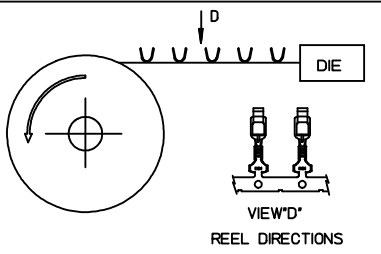


NOTES

1. MATERIAL : BRASS(C2600), 0.4mm THICKNESS
2. FINISH : 0.8 -1.8 μ TIN PLATING OVERALL
0.3-0.8 μ m COPPER PLATING
3. APPLICABLE SOCKET
P21/7W : 49454,104035,104036,104037,104038,104039
WY21W, W21W : 104133, 104134
4. APPLICABLE WIRE SEAL : 49454-9002
5. APPLICABLE BULB : P27/7W, W21W, WY21W

Δ <TABLE1>

NO.	MATERIAL NO.	ORDER NO.	TYPE	DIMENSIONS			WIRE RANGE
				w2	H2	R2	
1	498699702	49869-9702	SEALED	5.55	5.35	1.75	AVS 0.5~0.85SQ. FLRY-A 0.75SQ
2	498699102	49869-9102	UNSEALED	4.2	4.1	1.2	AVS(AVSS) 0.5~0.85SQ. FLRY-A 0.75SQ



VIEW'D'
REEL DIRECTIONS

CHANGED DIMENSION
 EC NO: KTR2015-0118
 DRWN:JKSE001
 CHKD:
 APPR:JYCH01
 2015/06/16
 2015/06/22

QUALITY SYMBOLS
 $\blacktriangledown = 0$
 $\triangleleft = 0$

GENERAL TOLERANCES (UNLESS SPECIFIED)

	mm	INCH
4 PLACES	\pm ---	\pm ---
3 PLACES	\pm 0	\pm ---
2 PLACES	\pm 0.20	\pm ---
1 PLACE	\pm 0.25	\pm ---

ANGULAR $\pm 1^\circ$

DRAFT WHERE APPLICABLE
MUST REMAIN
WITHIN DIMENSIONS

DIMENSION STYLE
MM ONLY

DRAWN BY: SMK1M
DATE: 2009/03/16

CHECKED BY: BCY00N
DATE: 2009/03/16

APPROVED BY: EHJUNG
DATE: 2009/03/16

MATERIAL NO. SEE TABLE1

SCALE: 5:1

DESIGN UNITS: METRIC

THIRD ANGLE PROJECTION

TITLE: SINGLE CONTACT TERMINAL FOR S8 & T20 SOCKET

MOLEX INCORPORATED

DOCUMENT NO. SD-49869-001

SHEET NO. 1 OF 1

THIS DRAWING CONTAINS INFORMATION THAT IS PROPRIETARY TO MOLEX INCORPORATED AND SHOULD NOT BE USED WITHOUT WRITTEN PERMISSION