



Chipsmall Limited consists of a professional team with an average of over 10 year of expertise in the distribution of electronic components. Based in Hongkong, we have already established firm and mutual-benefit business relationships with customers from,Europe,America and south Asia,supplying obsolete and hard-to-find components to meet their specific needs.

With the principle of “Quality Parts,Customers Priority,Honest Operation,and Considerate Service”,our business mainly focus on the distribution of electronic components. Line cards we deal with include Microchip,ALPS,ROHM,Xilinx,Pulse,ON,Everlight and Freescale. Main products comprise IC,Modules,Potentiometer,IC Socket,Relay,Connector.Our parts cover such applications as commercial,industrial, and automotives areas.

We are looking forward to setting up business relationship with you and hope to provide you with the best service and solution. Let us make a better world for our industry!



Contact us

Tel: +86-755-8981 8866 Fax: +86-755-8427 6832

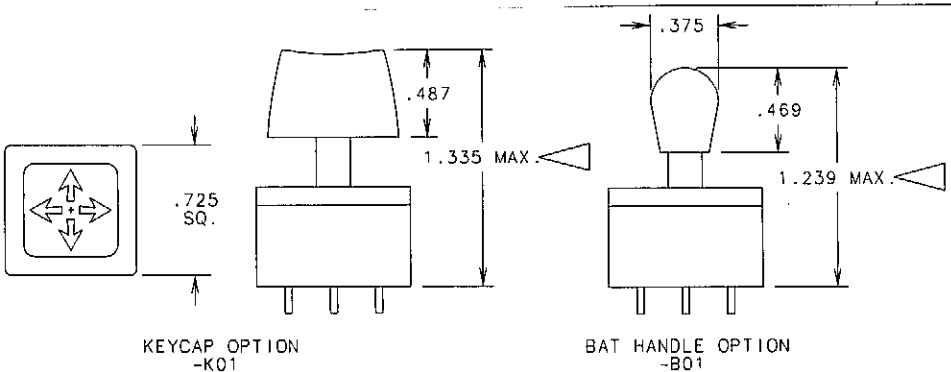
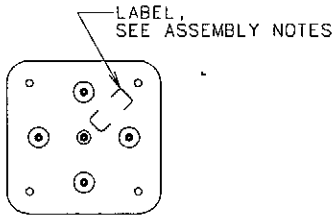
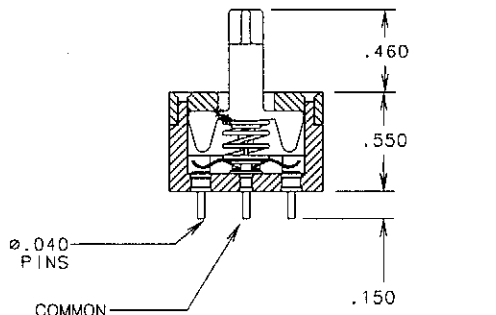
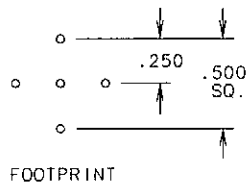
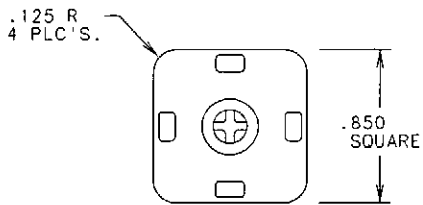
Email & Skype: info@chipsmall.com Web: www.chipsmall.com

Address: A1208, Overseas Decoration Building, #122 Zhenhua RD., Futian, Shenzhen, China



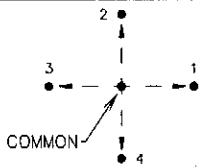
ALL REVISIONS TO THIS DRAWING
MUST BE MADE ON THE CAD SYSTEM

- NOTES:
1. RATED TO MAKE AND BREAK 250 mA, 115 VAC. RES. FOR 500,000 OPERATIONS.
 2. CONTACT RESISTANCE: 25 mΩ MAX.
 3. INSULATION RESISTANCE: 1000 MEGAOHMS AT 100 VDC.
 4. DIELECTRIC STRENGTH: 500 VAC RMS MINIMUM.
 5. MATERIALS AND FINISHES:
 - BASE, COVER & ACTUATOR ARE RYTON 10 (BLACK).
 - OPTIONAL KEYCAP IS CYCOLAC GRADE "T" ABS OR EQUIVALENT (GRAY BLACK)
 - OPTIONAL BAT HANDLE IS CYCOLAC GRADE "T" ABS OR EQUIVALENT (BLACK).
 - CONTACTS ARE BRASS. SHORTING BAR IS PHOSPHORUS BRONZE (GOLD PLATED OVER NICKEL.)
 - RETURN SPRINGS ARE TINNED MUSIC WIRE.



SALES PART NUMBER	BUTTON TYPE
04A	NONE
04A-K01	KEYCAP W/ ARROWS
04A-K02	KEYCAP W/O ARROWS
04A-B01	BAT HANDLE

- REFERENCE NOTES:
1. GRAYHILL STANDARD 04A.
 2. OPTIONAL KEYCAP OR BAT HANDLE WILL BE INSTALLED BY GRAYHILL.



CIRCUIT DIAGRAM
WHEN ACTUATOR IS IN REST POSITION, NO CONTACTS ARE MADE. MOVEMENT OF ACTUATOR TOWARD ANY SWITCH POSITION PROVIDES MOMENTARY CONTACT TO THAT POSITION.

UNLESS OTHERWISE SPECIFIED TOLERANCES AND DIMENSIONS ARE IN INCHES
LINEAR ± .010 DIAMETERS ± .005
ANGULAR ± 1°
LIMITS APPLY BEFORE FINISHING
DO NOT SCALE THIS PRINT

CRITICAL CHARACTERISTIC FLAGS PER GRAYHILL SPEC.SOP2338

- ▲ -- CRITICAL CHARACTERISTIC FLAG
- -- Cpk REQUIRED
- Ⓜ -- S.P.C. FLAG (CONTROL CHART REQ'D ON FEATURE SPECIFIED)

APPROVED DATE	DDK 8-8-86
CHECKED DATE	RAB 8-8-86
DRAWN DATE	RAB 6-26-86
FINISH	NOTED
MATERIAL	NOTED

Grayhill GRAYHILL, INC.
561 HILLGROVE AVE. PHONE (708)
LA GRANGE, IL 60525 354-1040

4 WAY SWITCH

CAGE NO.	B	DWG. NO.	ISSUE
81073	SIZE	04	
SCALE 1.5:1	UNIT WEIGHT		