



Chipsmall Limited consists of a professional team with an average of over 10 year of expertise in the distribution of electronic components. Based in Hongkong, we have already established firm and mutual-benefit business relationships with customers from,Europe,America and south Asia,supplying obsolete and hard-to-find components to meet their specific needs.

With the principle of “Quality Parts,Customers Priority,Honest Operation,and Considerate Service”,our business mainly focus on the distribution of electronic components. Line cards we deal with include Microchip,ALPS,ROHM,Xilinx,Pulse,ON,Everlight and Freescale. Main products comprise IC,Modules,Potentiometer,IC Socket,Relay,Connector.Our parts cover such applications as commercial,industrial, and automotives areas.

We are looking forward to setting up business relationship with you and hope to provide you with the best service and solution. Let us make a better world for our industry!



Contact us

Tel: +86-755-8981 8866 Fax: +86-755-8427 6832

Email & Skype: info@chipsmall.com Web: www.chipsmall.com

Address: A1208, Overseas Decoration Building, #122 Zhenhua RD., Futian, Shenzhen, China



SERIES 04J

Joystick with Center Pushbutton

FEATURES

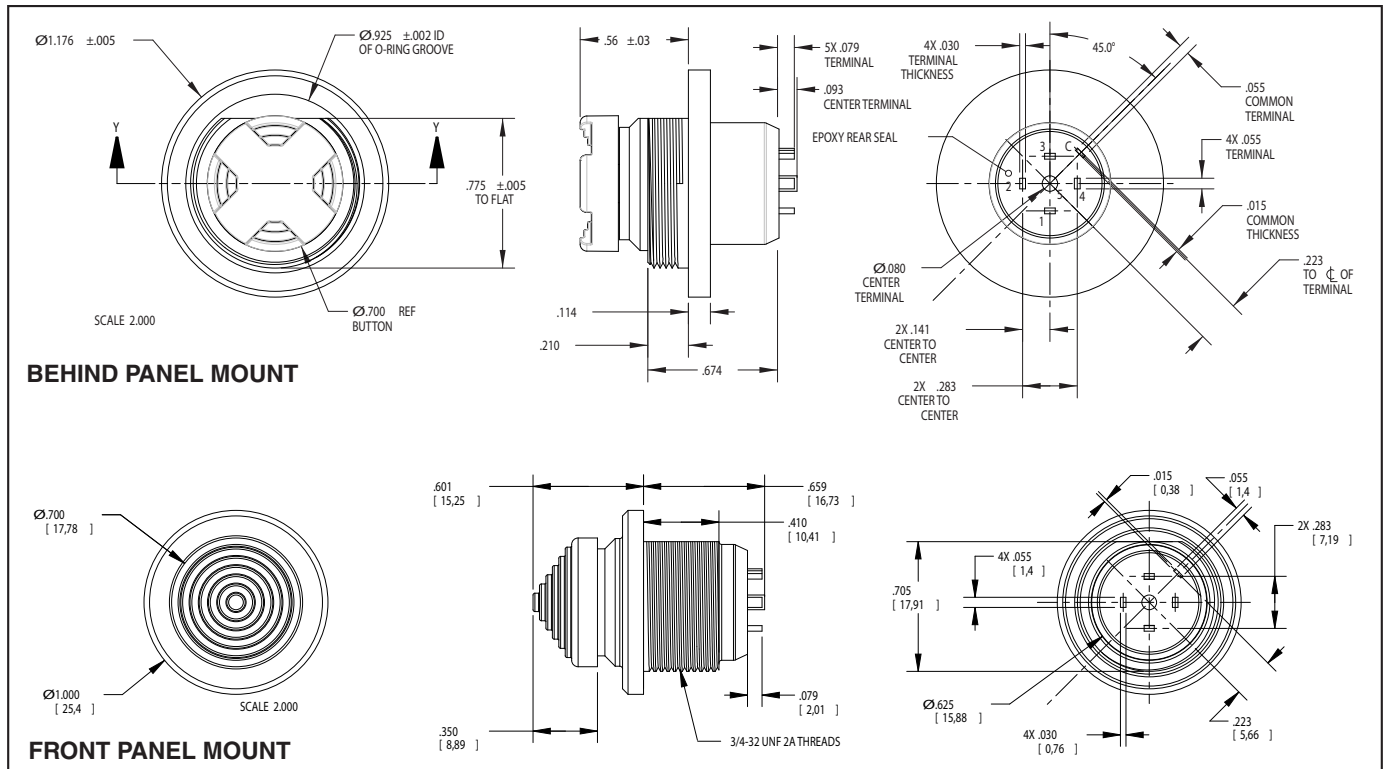
- Sealed against contamination when properly mounted (IP68)
- Two formats available: behind-panel mount or front-panel mount

DESCRIPTION

Series 04J is a single pole, 4-way toggle switch with a pushbutton in the center position. 4-way contact is made in the opposite direction of travel.



DIMENSIONS in inches (and millimeters)



ELECTRIC & MECHANICAL RATINGS

Rating: 2 amp resistive; 0.5 amp inductive at 28VDC or 115VAC

Contact Resistance: .05 ohms (max)

Operating Temperature: -55°C to +85°C

Operational Life: 100,000 cycles (min)

Pushbutton Travel: .020 minimum overall

Pushbutton Operating Force: 5 lbs. (max)

Toggle Lever Travel: 15° from center (max)

Toggle Operating Force: 16 oz ± 6 oz initial

Toggle Pivot & Stop Strength: 25 lbs. (max)

Mechanical Shock: per MIL-STD-810, procedure I, method 516.4

Immersion: per MIL-PRF-8805

Moisture Resistance: per MIL-DTL-9419

MATERIALS & FINISHES

Switch Body & Concave Cap: Thermoplastic (black, cone-shaped cap is gray)

Bushing: Aluminum alloy (black chrome)

Contact Terminals: 1/2 hard brass (gold over silver over nickel plating)

Spanner Nut: Stainless steel (black chrome)

O-Ring: 50 durometer fluorosilicone

ORDERING INFORMATION

Available from your local Grayhill Distributor.

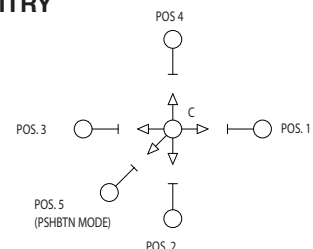
For prices and discounts, contact a local sales office, an authorized local distributor or Grayhill.

Grayhill Series Number
Version:
 B = behind panel; A = above panel
Connection:
 P = pcb mount; S = solder lugs

04J-BP-T01

Current: 1 = high; 2 = low*
Keypad Color: 0 = black; 1 = gray
Keypad Shape:
 T = concave cap; C = cone-shaped cap

CIRCUITRY



* Low Level signal is defined as a very small electrical load (i.e., 50 millivolts at 10 milliamps)