



Chipsmall Limited consists of a professional team with an average of over 10 year of expertise in the distribution of electronic components. Based in Hongkong, we have already established firm and mutual-benefit business relationships with customers from,Europe,America and south Asia,supplying obsolete and hard-to-find components to meet their specific needs.

With the principle of “Quality Parts,Customers Priority,Honest Operation,and Considerate Service”,our business mainly focus on the distribution of electronic components. Line cards we deal with include Microchip,ALPS,ROHM,Xilinx,Pulse,ON,Everlight and Freescale. Main products comprise IC,Modules,Potentiometer,IC Socket,Relay,Connector.Our parts cover such applications as commercial,industrial, and automotives areas.

We are looking forward to setting up business relationship with you and hope to provide you with the best service and solution. Let us make a better world for our industry!



Contact us

Tel: +86-755-8981 8866 Fax: +86-755-8427 6832

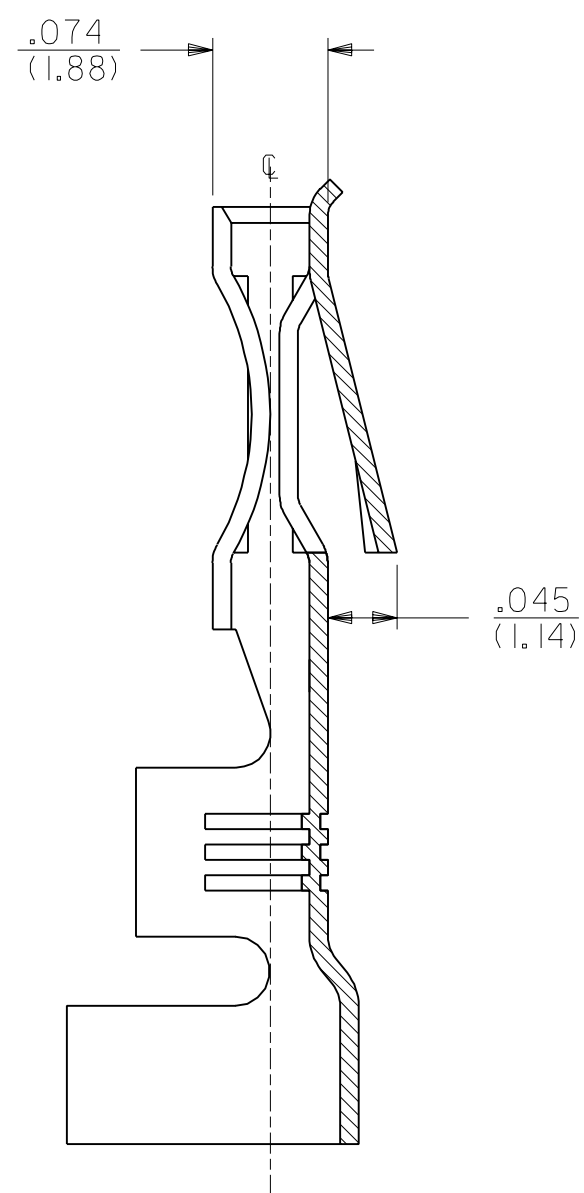
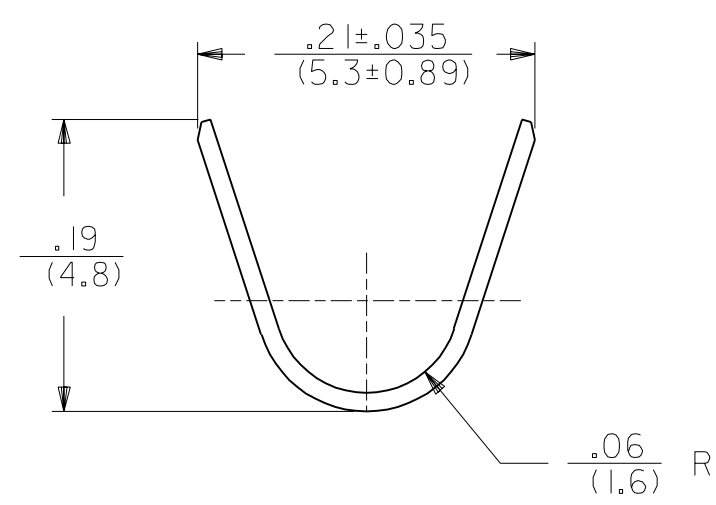
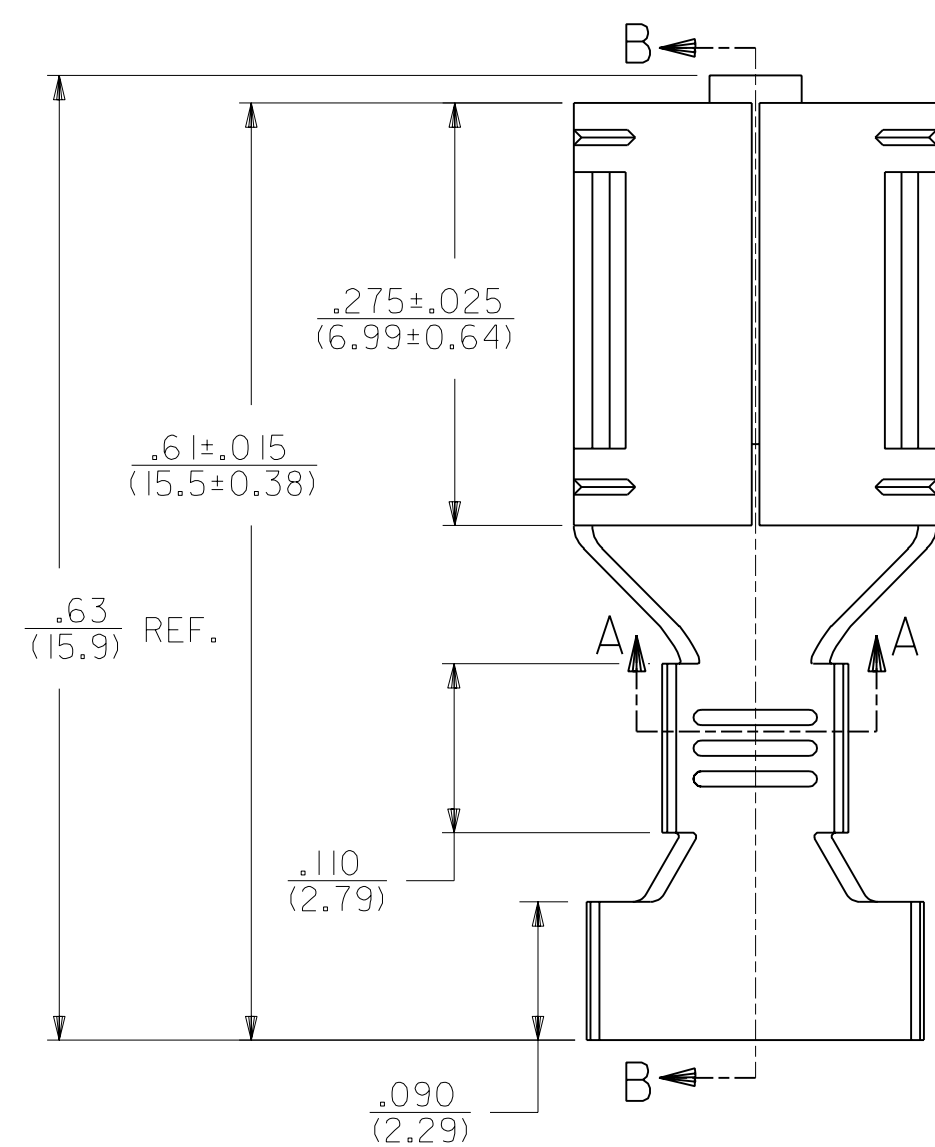
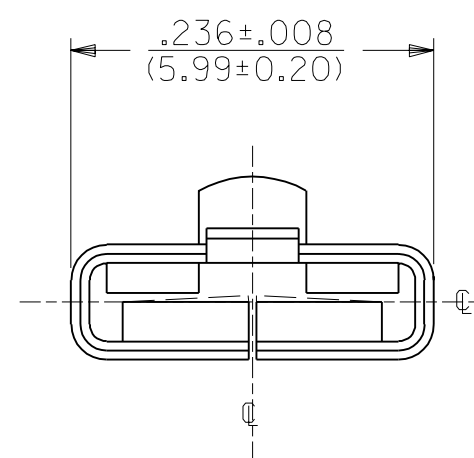
Email & Skype: info@chipsmall.com Web: www.chipsmall.com

Address: A1208, Overseas Decoration Building, #122 Zhenhua RD., Futian, Shenzhen, China

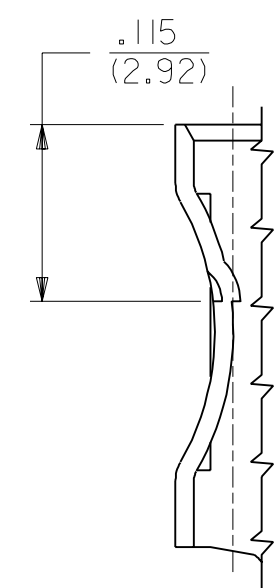


2176

PART NO.	ENG. NO.	DESCRIPTION
05-06-0301	2176-T	TIN PLATE
05-06-0303	2176-AT	WITHOUT DETENT, TIN PLATED
NOT TOOLED	X-2176-999A	WITHOUT DETENT, UNPLATED
05-06-0302	2176-(P90)DL	WITH DETENT, PLATED, LOOSE
05-06-0304	2176-(P90)DAL	WITHOUT DETENT, PLATED, LOOSE



SECTION B-B

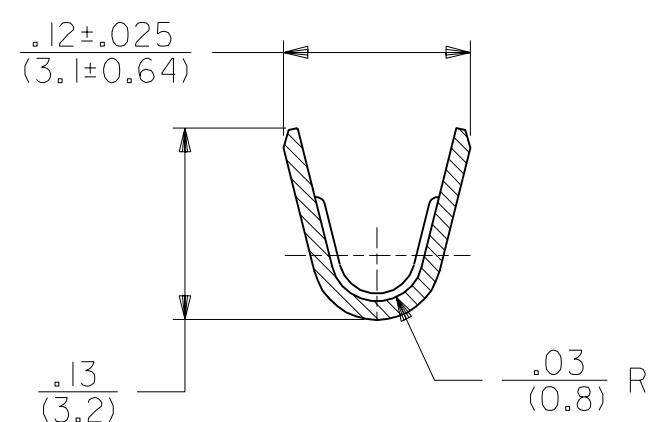


DETENT LOCATION

SCALE 8:1

NOTES:

- CRIMP FOR #14 THRU #22 GA. WIRE. ALSO (2) #18 GA. WIRE WITH .03(0.79) THK. INSULATION.
- MATERIAL:
.010/(0.25) THK. 70/30 BRASS ALLOY.
PRE-TIN PLATED.
- PRODUCT SPECIFICATION 05-06-1 APPLIES.



SECTION A-A

SCALE 8:1

MFG. SH. REV. LTR. REVISIONS

REVISIONS

DIMENSIONS SHOWN (METRIC) INCH	
UNLESS OTHERWISE SPECIFIED TOLERANCES: ANGULAR $\pm 1/2^\circ$	
3 PLACE	$\pm .010$ ---
2 PLACE	$\pm .014$ ± 0.25
1 PLACE	--- ± 0.35

DRAFT WHERE APPLICABLE MUST REMAIN WITHIN DIMENSIONS

DRWG. NO. SD-2176-*

TITLE		SHEET NO.		DATE	
TERMINAL FOR .020/(0.51) X .187/(4.75) SPADE		1 OF 1		92/10/26	
MOLEX INCORPORATED LITSLI, ILL. 60532 U.S.A.		DIV. CP		SIZE C	

DRWG. NO. SD-2176-*

THIS DRAWING CONTAINS INFORMATION THAT IS PROPRIETARY TO MOLEX INC. AND SHOULD NOT BE USED WITHOUT WRITTEN PERMISSION.