



Chipsmall Limited consists of a professional team with an average of over 10 year of expertise in the distribution of electronic components. Based in Hongkong, we have already established firm and mutual-benefit business relationships with customers from,Europe,America and south Asia,supplying obsolete and hard-to-find components to meet their specific needs.

With the principle of “Quality Parts,Customers Priority,Honest Operation,and Considerate Service”,our business mainly focus on the distribution of electronic components. Line cards we deal with include Microchip,ALPS,ROHM,Xilinx,Pulse,ON,Everlight and Freescale. Main products comprise IC,Modules,Potentiometer,IC Socket,Relay,Connector.Our parts cover such applications as commercial,industrial, and automotives areas.

We are looking forward to setting up business relationship with you and hope to provide you with the best service and solution. Let us make a better world for our industry!



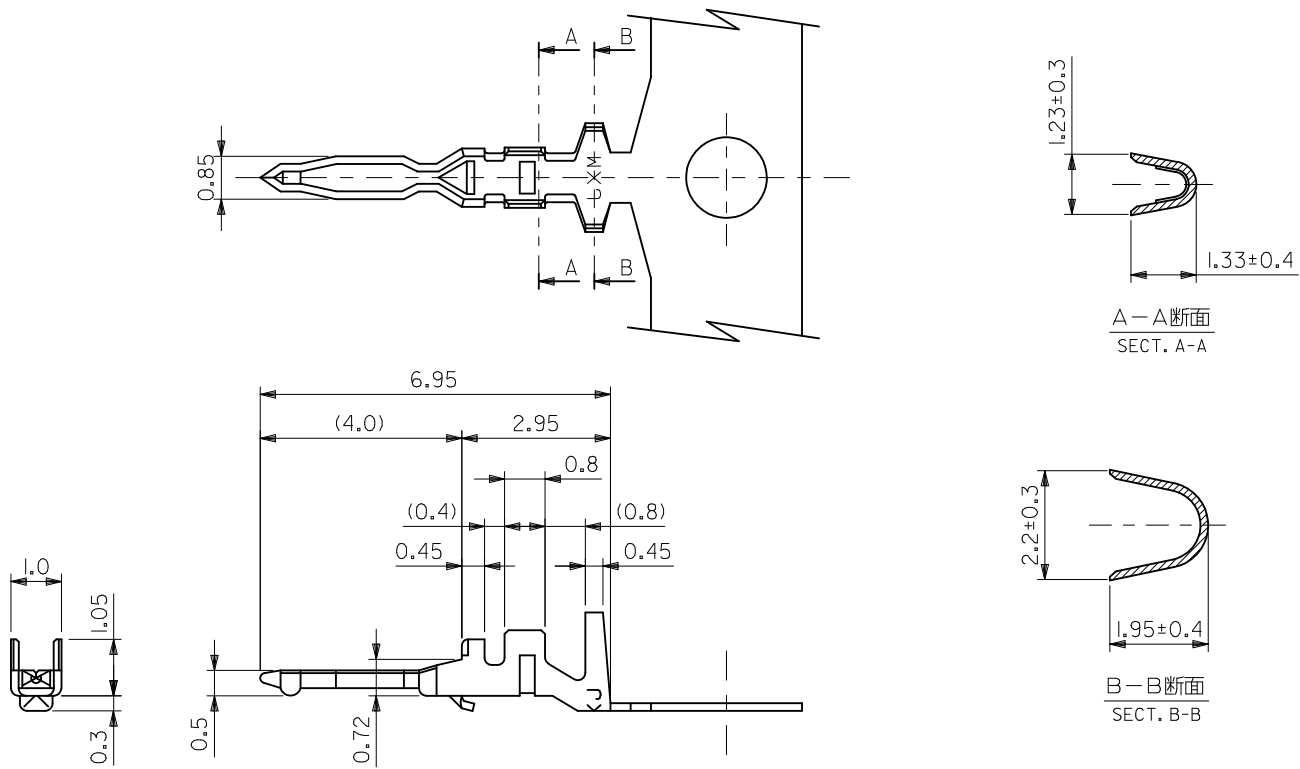
Contact us

Tel: +86-755-8981 8866 Fax: +86-755-8427 6832

Email & Skype: info@chipsmall.com Web: www.chipsmall.com

Address: A1208, Overseas Decoration Building, #122 Zhenhua RD., Futian, Shenzhen, China





注)
NOTE.
1. 適合ハウジング: 51015-***00
APPLICABLE HOUSING: 51015-***00

50034-8100	バラ状 LOOSE
50034-8000	連鎖状 CHAIN
オーダー番号 ORDER No.	形状 FORM
CONNECTOR SERIES No. 50034-8*00	

材料 MATERIAL 錫メッキ済、リン青銅 PHOS. BRO. TIN-PLATED 適用電線範囲 WIRE RANGE AWG #26~#30 適用被覆外径 INS. RANGE φ1.4 MAX.	REVISED EC NO: J2011-1346 DRWN: YOSHIKAWA 2011/04/11 CHKD: KASAKAWA 2011/04/11 APPR: NUKITA 2011/04/11	GENERAL TOLERANCES (UNLESS SPECIFIED)		DIMENSION STYLE	SCALE	DESIGN UNITS	THIRD ANGLE PROJECTION	
		10 UNDER ±0.2		MM ONLY	10:1	METRIC	◎ □	
		10 OVER 30 UNDER ±0.25		DRAWN BY	DATE	TITLE		
		30 OVER ±0.3		KKOHAMA	2000/03/28	2.0 BOARD IN CONN. CRIMP PIN		
ANGULAR ±3 °		CHECKED BY	DATE	APPROVED BY			MOLEX INCORPORATED DOCUMENT NO. SD-50034-002 SHEET NO. 1 OF 1	
DRAFT WHERE APPLICABLE MUST REMAIN WITHIN DIMENSIONS		TYAMAGUCHI	2000/03/30	MFUKUSHIMA 2000/03/30				
		MATERIAL NO.		SEE CHART				
		SIZE		THIS DRAWING CONTAINS INFORMATION THAT IS PROPRIETARY TO MOLEX INCORPORATED AND SHOULD NOT BE USED WITHOUT WRITTEN PERMISSION				