



Chipsmall Limited consists of a professional team with an average of over 10 year of expertise in the distribution of electronic components. Based in Hongkong, we have already established firm and mutual-benefit business relationships with customers from,Europe,America and south Asia,supplying obsolete and hard-to-find components to meet their specific needs.

With the principle of “Quality Parts,Customers Priority,Honest Operation,and Considerate Service”,our business mainly focus on the distribution of electronic components. Line cards we deal with include Microchip,ALPS,ROHM,Xilinx,Pulse,ON,Everlight and Freescale. Main products comprise IC,Modules,Potentiometer,IC Socket,Relay,Connector.Our parts cover such applications as commercial,industrial, and automotives areas.

We are looking forward to setting up business relationship with you and hope to provide you with the best service and solution. Let us make a better world for our industry!



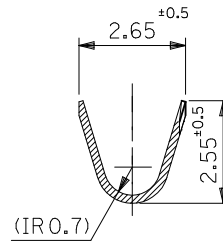
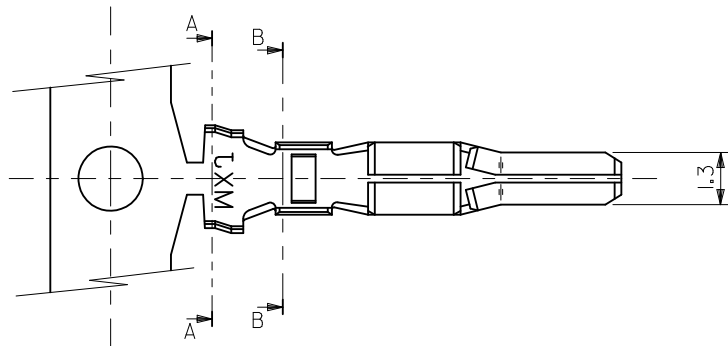
## Contact us

Tel: +86-755-8981 8866 Fax: +86-755-8427 6832

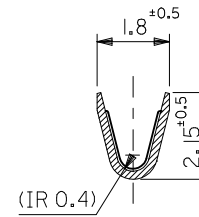
Email & Skype: info@chipsmall.com Web: www.chipsmall.com

Address: A1208, Overseas Decoration Building, #122 Zhenhua RD., Futian, Shenzhen, China

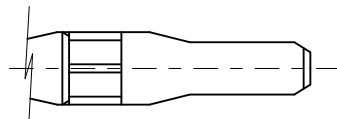
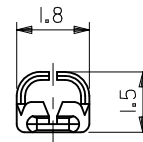
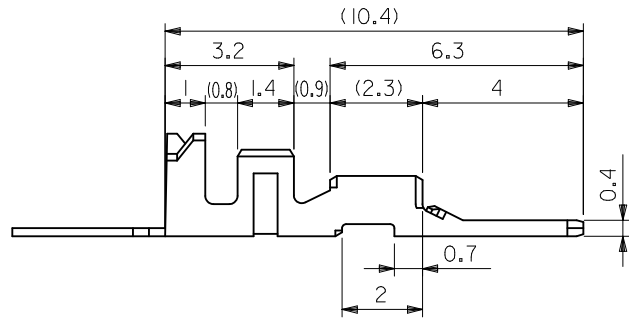




断面 A-A  
SECT.A-A



断面 B-B  
SECT.B-B



注記  
NOTICE

- 1. 適合ハウジングアッセンブリ:  
52116-02\*\*  
52116-03\*\*  
52116-04\*\*
- 1.APPLICABLE HOUSING ASSEMBLY:  
52116-02\*\*  
52116-03\*\*  
52116-04\*\*
- 2. 嵌合相手: 50039-8\*00
- 2.MATE: 50039-8\*00

50038-8100	バラ状 LOOSE
50038-8000	連鎖状 CHAIN
MATERIAL NO.	形状 FORM

材料 MATERIAL	リン青銅 錫メッキ (+0.2) PHOSPHOR BRONZE TIN PLATING(+0.2)
適用電線範囲 WIRE RANGE	AVS-0.3/0.3F AVSS-0.5/0.5F AVSS-0.3/0.3F CAVS-0.5 CAVS-0.3 CAVS-0.5 ISO-0.5 AWG #22/#20
被覆外径 INS. RANGE	φ1.4-1.9

REVISED EC NO: JTR2012-0084 2012/02/29 DRMNS: SANO 2012/03/02 CHKD: SANO 2012/03/16 APPR: MAYAMOTO	DESCRIPTION REV	GENERAL TOLERANCES (UNLESS SPECIFIED)		DIMENSION STYLE MM ONLY		SCALE 8:1	DESIGN UNITS METRIC	THIRD ANGLE PROJECTION	
		10 UNDER	±0.2	DRAWN BY M. ASAOKA	DATE 1996/06/10	TITLE 2.5 WATERPROOF CONN CRIMP PIN			
		10 OVER 30 UNDER	±0.25	CHECKED BY M. SAKANO	DATE 1996/06/10	MATERIAL NO. SD-50038-001			
		30 OVER	±0.3	APPROVED BY MAYAMOTO	DATE 2012/02/03	SHEET NO. 1 OF 1			
ANGULAR ±3°		DRAFT WHERE APPLICABLE MUST REMAIN WITHIN DIMENSIONS		SEE CHART		THIS DRAWING CONTAINS INFORMATION THAT IS PROPRIETARY TO MOLEX INCORPORATED AND SHOULD NOT BE USED WITHOUT WRITTEN PERMISSION			