



Chipsmall Limited consists of a professional team with an average of over 10 year of expertise in the distribution of electronic components. Based in Hongkong, we have already established firm and mutual-benefit business relationships with customers from,Europe,America and south Asia,supplying obsolete and hard-to-find components to meet their specific needs.

With the principle of "Quality Parts,Customers Priority,Honest Operation,and Considerate Service",our business mainly focus on the distribution of electronic components. Line cards we deal with include Microchip,ALPS,ROHM,Xilinx,Pulse,ON,Everlight and Freescale. Main products comprise IC,Modules,Potentiometer,IC Socket,Relay,Connector.Our parts cover such applications as commercial,industrial, and automotives areas.

We are looking forward to setting up business relationship with you and hope to provide you with the best service and solution. Let us make a better world for our industry!



## Contact us

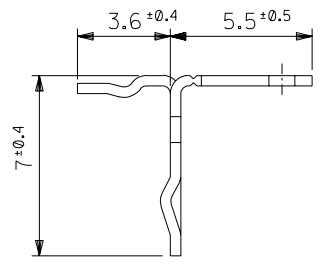
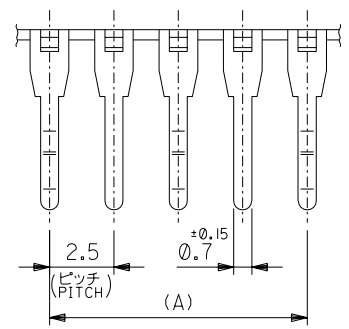
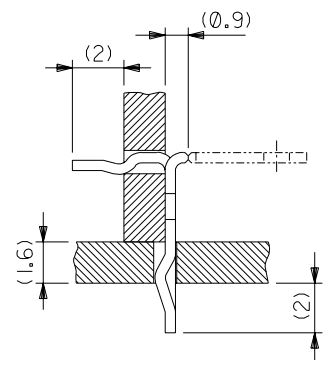
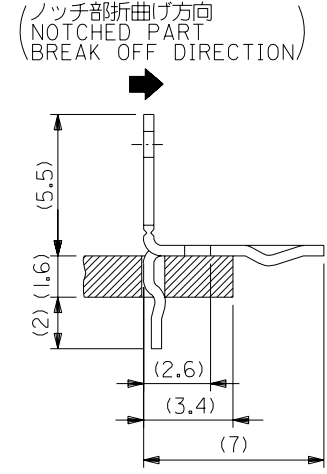
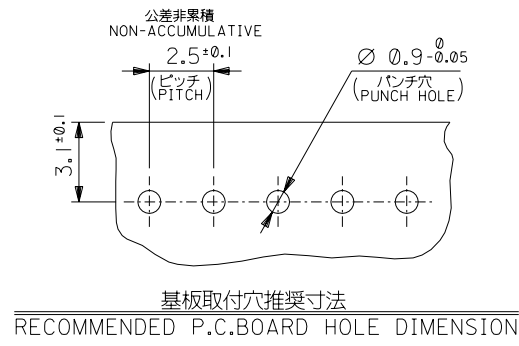
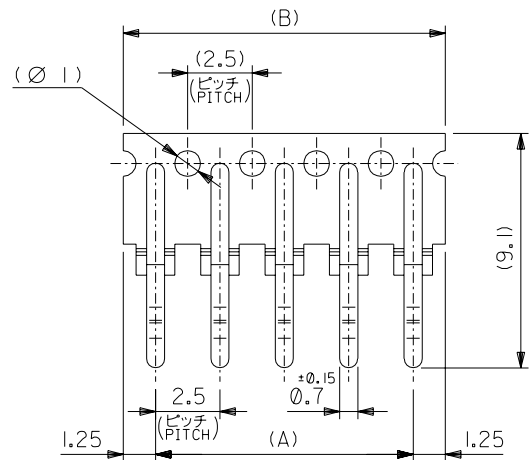
Tel: +86-755-8981 8866 Fax: +86-755-8427 6832

Email & Skype: info@chipsmall.com Web: www.chipsmall.com

Address: A1208, Overseas Decoration Building, #122 Zhenhua RD., Futian, Shenzhen, China



DWG. NO. SD-50055-8\*\*



注記 NOTES

1. ソルダーテールのキック加工 : 短いテール側は全てのピンに同一方向に施す。  
 SOLDER TAIL KINK : LONG TAIL 側は1ピンおきに同一方向に施し、  
 また、奇数極の場合は両端にキックがあること。  
 FOR SHORT TAILS : SET KINK TO ALL TAILS IN THE SAME DIRECTION.  
 FOR LONG TAILS : SET KINK TO EVERY OTHER TAIL IN THE SAME DIRECTION  
 AND THE TAILS ON BOTH ENDS IN CASE OF ODD CKT.

2. 基板の材質及び穴の断面形状により、基板装着性及び基板保持性に差があります。  
 また、少極品と多極品でも同様の事が言える為、この点を確認の上御使用願います。  
 THE MATERIAL AND THE HOLE SECTION FORM OF THE BOARD,  
 THERE MAY BE DIFFERENCES AMONG THE BOARD APPLICATION  
 AND THE BOARD RETENTION. ALSO, THE SAME COULD BE SAID  
 ON SMALL CIRCUIT PARTS AS WELL AS LARGE CIRCUIT PARTS.  
 PLEASE KEEP THIS IN MIND UPON USING THIS PART.

無鉛  
LEAD FREE

37.5	35	50055-8115	15
35	32.5	-8114	14
32.5	30	-8113	13
30	27.5	-8112	12
27.5	25	-8111	11
25	22.5	-8110	10
22.5	20	-8109	9
20	17.5	-8108	8
17.5	15	-8107	7
15	12.5	-8106	6
12.5	10	-8105	5
10	7.5	-8104	4
7.5	5	50055-8103	3
B	A	ENG. NO.	極品 CKT.

角度 ANGLE		±3°				材料 MATERIAL	リン青銅、錫メッキ材 PHOS.BRONZE (t=0.4) PRE-TINNED
30以上 OVER		+0.3				仕上げ FINISH	— # —
10以上 30未満 OVER UNDER		+0.25	C	変更 REVISED	(J2002-2847)	適用電線範囲 WIRE RANGE	— # —
10未満 UNDER		+0.2	B	再作図 REDRAWN	(J40020)	被覆外径 INS. RANGE	— # —
一般公差 GENERAL TOLERANCES			記号 LTR	変更内容 REVISION RECORD		DR. M.N CHK. M.S	DATE
						材料 MATERIAL	リン青銅、錫メッキ材 PHOS.BRONZE (t=0.4) PRE-TINNED
						仕上げ FINISH	— # —
						適用電線範囲 WIRE RANGE	— # —
						被覆外径 INS. RANGE	— # —
						DRAWN BY '94/1/12 M.NAKAMURA	CHK'D BY '02/05/17 T.ITO
						APP'D BY '02/05/17 T.YAMAGUCHI	尺度 SCALE
						5-1	
						DWG. NO.	REV
						SD-50055-81**	C