



Chipsmall Limited consists of a professional team with an average of over 10 year of expertise in the distribution of electronic components. Based in Hongkong, we have already established firm and mutual-benefit business relationships with customers from,Europe,America and south Asia,supplying obsolete and hard-to-find components to meet their specific needs.

With the principle of “Quality Parts,Customers Priority,Honest Operation,and Considerate Service”,our business mainly focus on the distribution of electronic components. Line cards we deal with include Microchip,ALPS,ROHM,Xilinx,Pulse,ON,Everlight and Freescale. Main products comprise IC,Modules,Potentiometer,IC Socket,Relay,Connector.Our parts cover such applications as commercial,industrial, and automotives areas.

We are looking forward to setting up business relationship with you and hope to provide you with the best service and solution. Let us make a better world for our industry!



Contact us

Tel: +86-755-8981 8866 Fax: +86-755-8427 6832

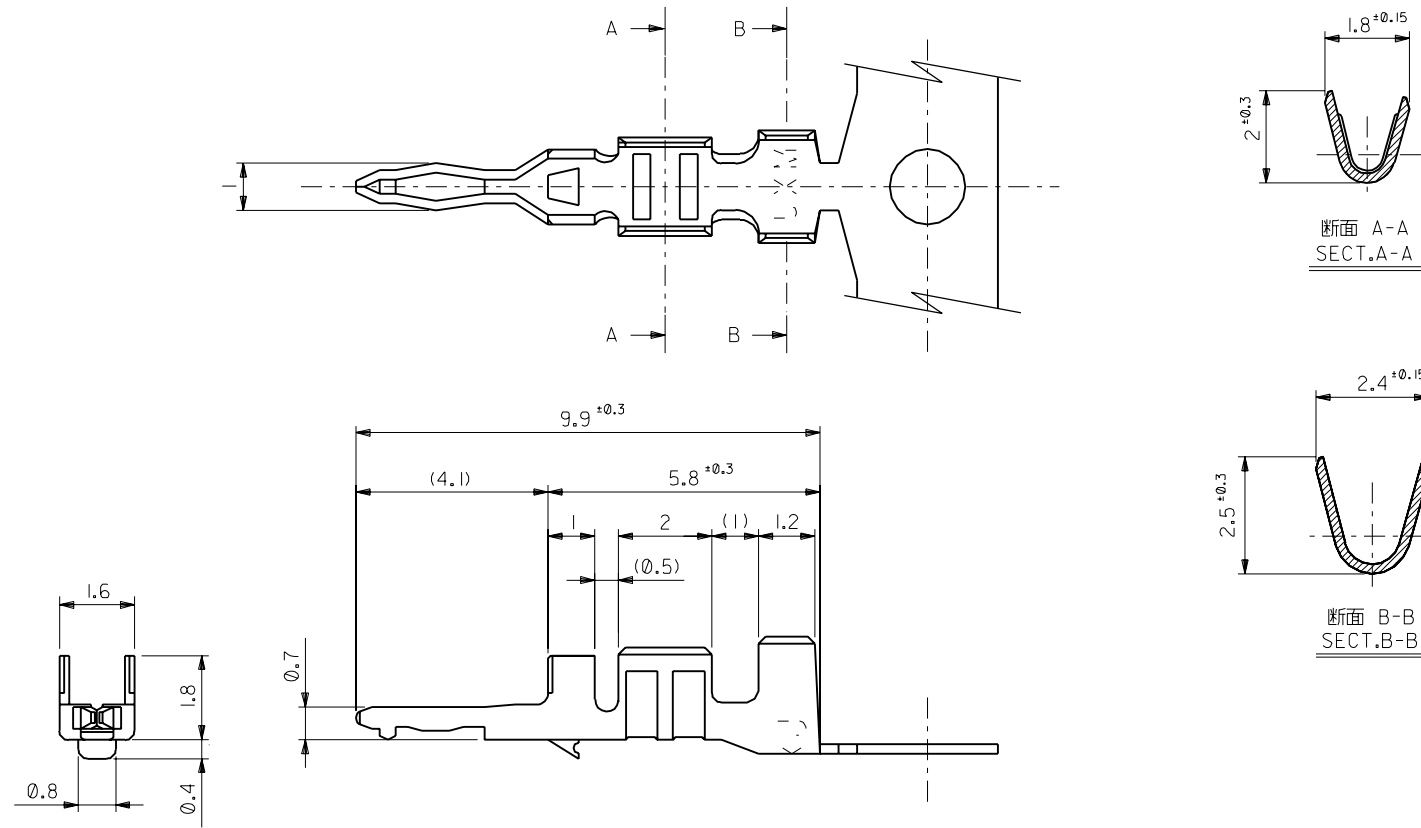
Email & Skype: info@chipsmall.com Web: www.chipsmall.com

Address: A1208, Overseas Decoration Building, #122 Zhenhua RD., Futian, Shenzhen, China



DWG. NO.
SD-50097-8*00

DIMENSIONS IN METRIC DO NOT SCALE DRAWING



注記
NOTE

- 適合ハウジング: 51035-**00
APPLICABLE HOUSING: 51035-**00

50097-8100	バラ状
50097-8000	連鎖状
ENG.NO.	形状

材料 MATERIAL	リン青銅 (錫メッキ) PHOSPHOR BRONZE (TIN PLATED)
PRE-TINNED PLATE	t:0.203
仕上げ FINISH	//
適用電線範囲 WIRE RANGE	AWG #24~20 KV 0.2~0.5 AVS 0.3~0.5
被覆外径 INS. RANGE	$\phi 1.3 \sim 2.1$
DRAWN BY	%/06/28 K.KITA
CHK'D BY	%/06/28 M.SAKANO
APP'D BY	%/06/28 M.ENOMOTO
尺度 SCALE	10:1

MOLEX-JAPAN CO.,LTD. 日本モレックス株式会社	
REVISE ONLY ON CAD SYSTEM	
TITLE 名称 BOARD IN CONNECTOR CRIMP PIN	
DWG. NO. SD-50097-8*00	REV C

角度 ANGLE	$\pm 3^\circ$
30以上 OVER	± 0.3
10以上 30未満 UNDER	± 0.25
10未満 UNDER	± 0.2
一般公差 GENERAL TOLERANCES	

記号 LTR	変更内容 REVISION RECORD	DR. CHK.	日付 DATE
C	REDRAWN	K.K. M.S	%/06/28