



Chipsmall Limited consists of a professional team with an average of over 10 year of expertise in the distribution of electronic components. Based in Hongkong, we have already established firm and mutual-benefit business relationships with customers from,Europe,America and south Asia,supplying obsolete and hard-to-find components to meet their specific needs.

With the principle of "Quality Parts,Customers Priority,Honest Operation,and Considerate Service",our business mainly focus on the distribution of electronic components. Line cards we deal with include Microchip,ALPS,ROHM,Xilinx,Pulse,ON,Everlight and Freescale. Main products comprise IC,Modules,Potentiometer,IC Socket,Relay,Connector.Our parts cover such applications as commercial,industrial, and automotives areas.

We are looking forward to setting up business relationship with you and hope to provide you with the best service and solution. Let us make a better world for our industry!



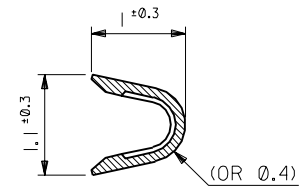
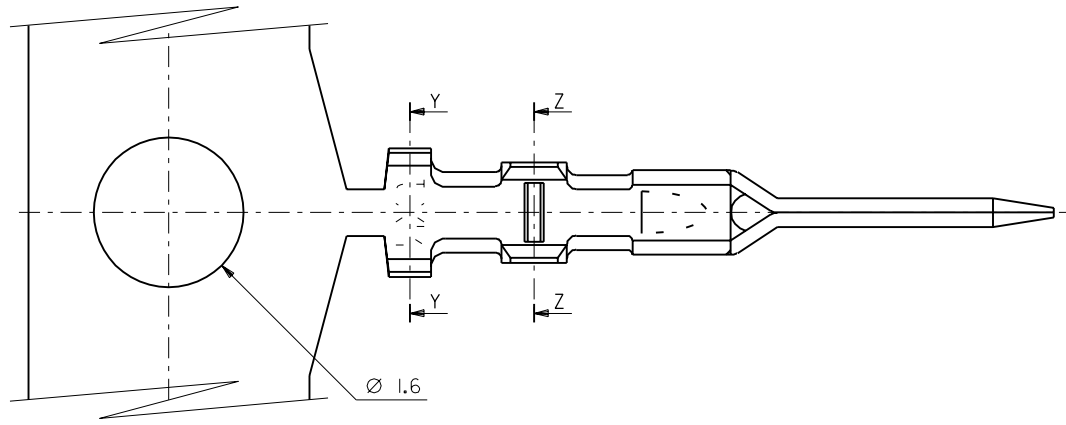
Contact us

Tel: +86-755-8981 8866 Fax: +86-755-8427 6832

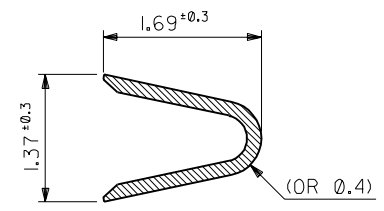
Email & Skype: info@chipsmall.com Web: www.chipsmall.com

Address: A1208, Overseas Decoration Building, #122 Zhenhua RD., Futian, Shenzhen, China

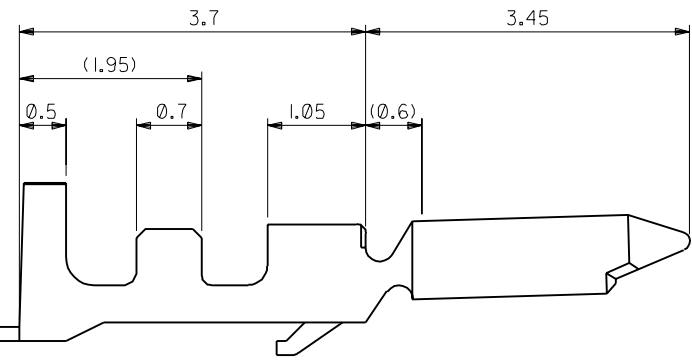
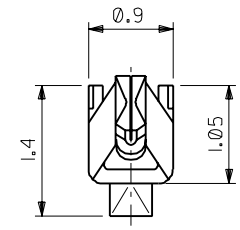




SECT. Z-Z



SECT. Y-Y



50133-8100	バラ状 LOOSE
50133-8000	連鎖状 CHAIN
ENG. NO.	端子形状 FORM

注記
NOTES

- 適合ハウジング: 51047シリーズ
APPLICABLE HOUSING: 51047 SERIES
- メッキ仕様 PLATING
錫 0.9μm MIN. リフロー処理 (前メッキ)
TIN 0.9μm MIN. REFLOW TREATMENT (PRE-PLATED)

角度 ANGLE	±3°				
30以上 OVER	+0.3				
10以上 30未満 UNDER	+0.25	D	変更 REVISED	(J30883)	H.H. M.F.
10未満 UNDER	+0.2	C	変更&再作図 REVISED & REDRAWN	(J20810)	H.H. M.F.
一般公差 GENERAL TOLERANCES		記号 LTR	変更内容 REVISION RECORD	DR. CHK.	日付 DATE

材料 MATERIAL	リン青銅 PHOSPHOR BRONZE
仕上げ FINISH	—H—
適用電線範囲 WIRE RANGE	AWG #28-32
被覆外径 INS. RANGE	φ 0.5-1.0
DRAWN BY	'92/10/27 H.HIRAMOTO
CHK'D BY	'93/9/6 M.FUKUSHIMA
APP'D BY	'93/9/6 M.FUKUSHIMA
尺度	20 - 1

MOLEX-JAPAN CO.,LTD. 日本モレックス株式会社	
REVISE ONLY ON CAD SYSTEM	
TITLE 名称 1.25 WIRE TO WIRE CONN. CRIMP PLUG TERMINAL	
DWG. NO.	REV
SD-50133-8*00	D