



Chipsmall Limited consists of a professional team with an average of over 10 year of expertise in the distribution of electronic components. Based in Hongkong, we have already established firm and mutual-benefit business relationships with customers from,Europe,America and south Asia,supplying obsolete and hard-to-find components to meet their specific needs.

With the principle of “Quality Parts,Customers Priority,Honest Operation,and Considerate Service”,our business mainly focus on the distribution of electronic components. Line cards we deal with include Microchip,ALPS,ROHM,Xilinx,Pulse,ON,Everlight and Freescale. Main products comprise IC,Modules,Potentiometer,IC Socket,Relay,Connector.Our parts cover such applications as commercial,industrial, and automotives areas.

We are looking forward to setting up business relationship with you and hope to provide you with the best service and solution. Let us make a better world for our industry!



Contact us

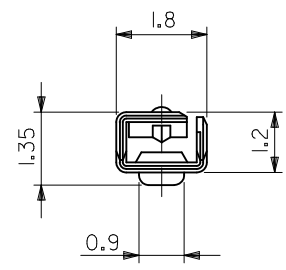
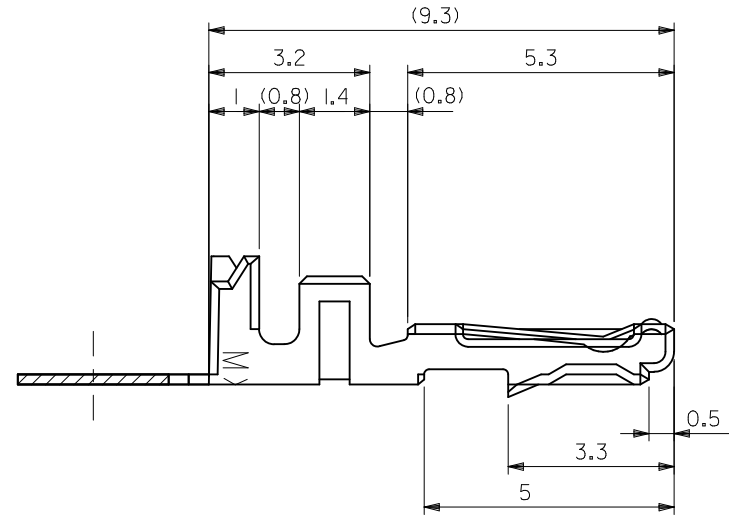
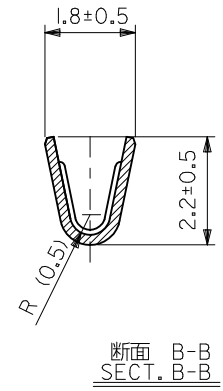
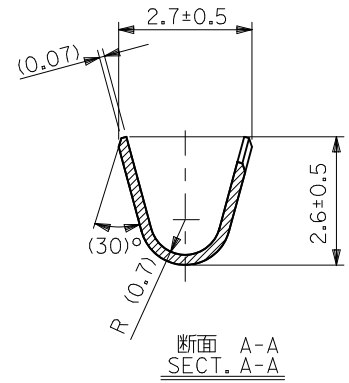
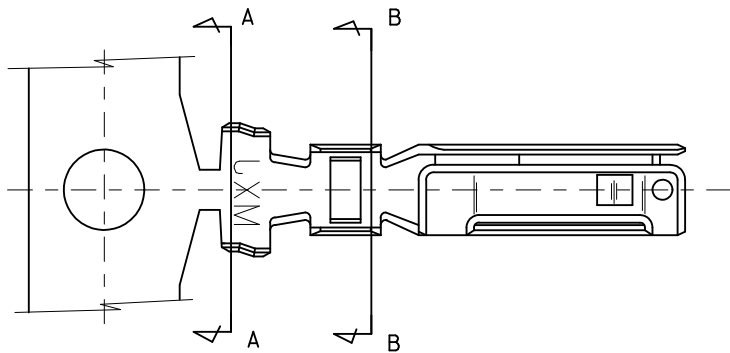
Tel: +86-755-8981 8866 Fax: +86-755-8427 6832

Email & Skype: info@chipsmall.com Web: www.chipsmall.com

Address: A1208, Overseas Decoration Building, #122 Zhenhua RD., Futian, Shenzhen, China



10 9 8 7 6 5 4 3 2 1



注記
NOTES

- 適合ハウジング アッセンブリ; 52213-***
APPLICABLE HS'G ASS'Y; 52213-***
- 嵌合相手; 50147-8*00
MATES WITH; 50147-8*00

50148-8100	バラ状 LOOSE
50148-8000	連鎖状 CHAIN
MATERIAL NO.	端子形状 FORM

材料 MATERIAL	リン青銅 錫メッキ (+0.2) PHOSPHOR BRONZE TIN PLATING (+0.2)
適用電線範囲 WIRE RANGE	AVSS-0.3/0.3F AVSS-0.5/0.5F CAVS-0.3 CAVS-0.5 ISO-0.5 AWG #22/#20
被覆外径 INS. RANGE	φ1.4-1.9

REVISED EC NO: JTR2012-0084 2012/02/29 DRWNS: SANO 2012/03/02 CHKD: SANO 2012/03/16 APPR: MAYAMOTO	DESCRIPTION REV	GENERAL TOLERANCES (UNLESS SPECIFIED)		DIMENSION STYLE MM ONLY		SCALE 10:1	DESIGN UNITS METRIC	THIRD ANGLE PROJECTION	
		10 UNDER	± 0.2	DRAWN BY M. SANO	DATE 1991/07/17	TITLE 2.5 MINI WATERPROOF CRIMP REC			
		10 OVER 30 UNDER	± 0.25	CHECKED BY M. SAKANO	DATE 1992/08/06				
		30 OVER	± 0.3	APPROVED BY MENOMOTO	DATE 1992/8/6				
ANGULAR ±3 °		DRAFT WHERE APPLICABLE MUST REMAIN WITHIN DIMENSIONS		MATERIAL NO. SEE CHART		MOLEX INCORPORATED		DOCUMENT NO. SD-50148-001	SHEET NO. 1 OF 1
SIZE A3		THIS DRAWING CONTAINS INFORMATION THAT IS PROPRIETARY TO MOLEX INCORPORATED AND SHOULD NOT BE USED WITHOUT WRITTEN PERMISSION							