



Chipsmall Limited consists of a professional team with an average of over 10 year of expertise in the distribution of electronic components. Based in Hongkong, we have already established firm and mutual-benefit business relationships with customers from,Europe,America and south Asia,supplying obsolete and hard-to-find components to meet their specific needs.

With the principle of “Quality Parts,Customers Priority,Honest Operation,and Considerate Service”,our business mainly focus on the distribution of electronic components. Line cards we deal with include Microchip,ALPS,ROHM,Xilinx,Pulse,ON,Everlight and Freescale. Main products comprise IC,Modules,Potentiometer,IC Socket,Relay,Connector.Our parts cover such applications as commercial,industrial, and automotives areas.

We are looking forward to setting up business relationship with you and hope to provide you with the best service and solution. Let us make a better world for our industry!



Contact us

Tel: +86-755-8981 8866 Fax: +86-755-8427 6832

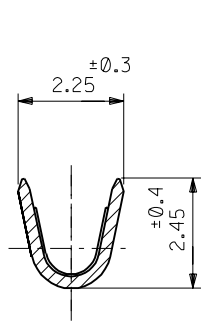
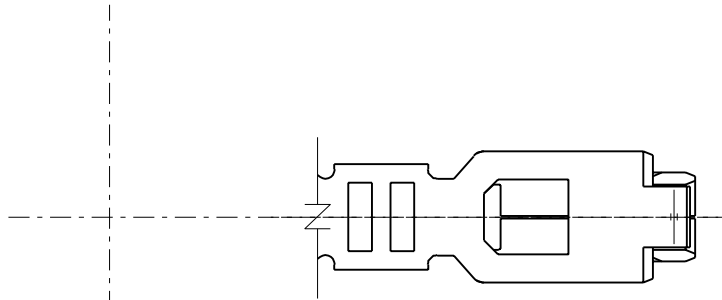
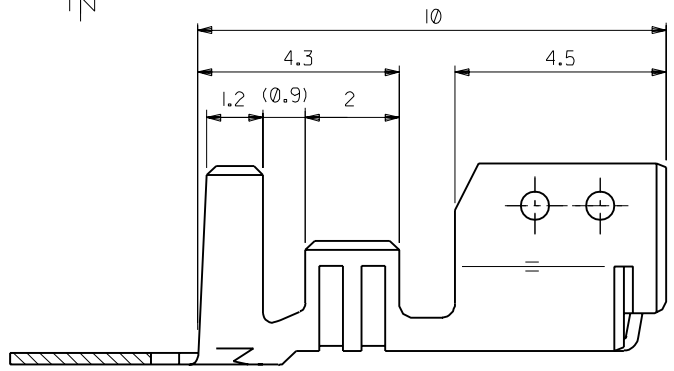
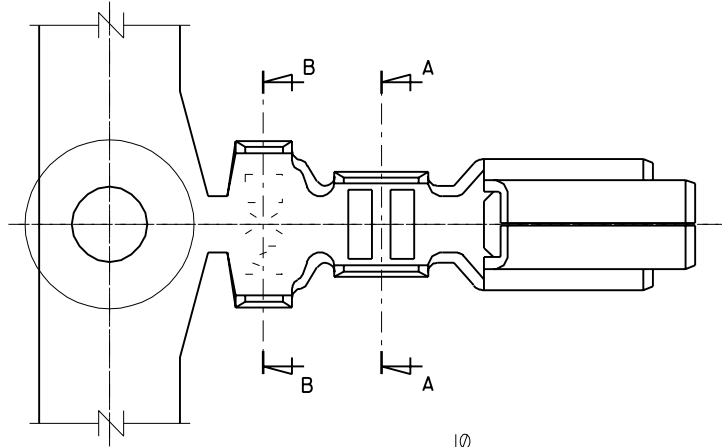
Email & Skype: info@chipsmall.com Web: www.chipsmall.com

Address: A1208, Overseas Decoration Building, #122 Zhenhua RD., Futian, Shenzhen, China

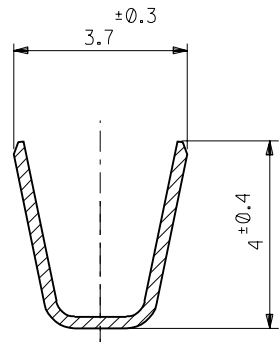


DIMENSIONS IN METRIC DO NOT SCALE DRAWING

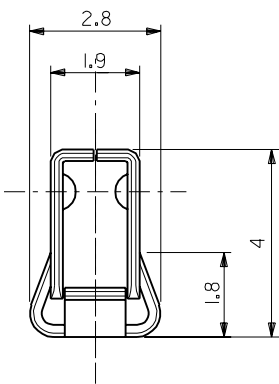
ENG. NO. SD-50217-****
EDP NO.



SECT.A-A



SECT.B-B



注記

1. 適合ハウジング：51067-***00

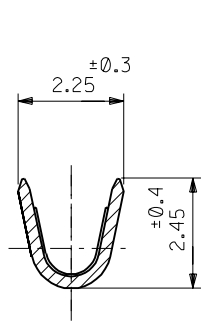
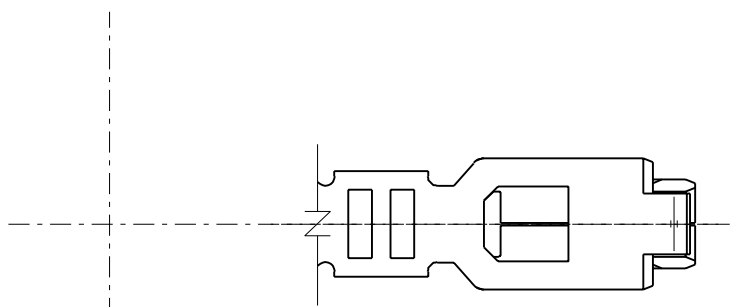
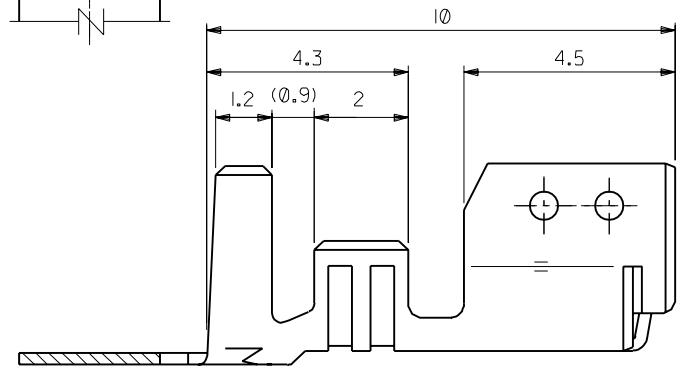
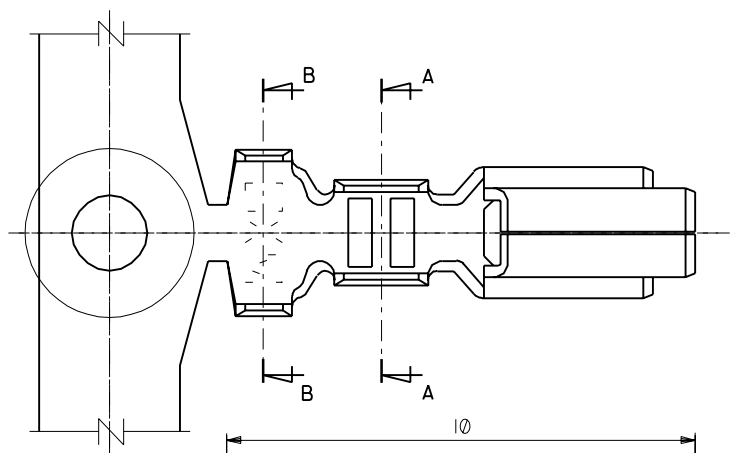
リン青銅，錫メッキ (+0.254)	50217-8100	バラ状
	50217-8000	連鎖状
黄銅，錫メッキ (+0.254)	50217-9101	バラ状
	50217-9001	連鎖状
材 料	ENG. NO.	端子形状

<table border="1"> <tr> <td>角度 ANGLE</td> <td>±3°</td> <td></td> <td></td> </tr> <tr> <td>30以上 OVER</td> <td>+0.3</td> <td>A 変更 (J00226)</td> <td>90-2-28</td> </tr> <tr> <td>10以上 30未滿 UNDER</td> <td>+0.25</td> <td>0 新規作成 (J91079)</td> <td>89-12-19</td> </tr> <tr> <td>10未滿 UNDER</td> <td>+0.2</td> <td>記号 LTR 変更内容 REVISION RECORD</td> <td>DR. CHK. DATE</td> </tr> <tr> <td>一般公差 GENERAL TOLERANCES</td> <td></td> <td colspan="2">REVISE ONLY ON CAD SYSTEM</td> </tr> </table>				角度 ANGLE	±3°			30以上 OVER	+0.3	A 変更 (J00226)	90-2-28	10以上 30未滿 UNDER	+0.25	0 新規作成 (J91079)	89-12-19	10未滿 UNDER	+0.2	記号 LTR 変更内容 REVISION RECORD	DR. CHK. DATE	一般公差 GENERAL TOLERANCES		REVISE ONLY ON CAD SYSTEM		材料 MATERIAL // 仕上げ FINISH // 適用電線範囲 WIRE RANGE AWG #18 ~ #24 被覆外径 INS. RANGE φ 1.4 ~ φ 3.0 DRAWN BY '89-12-19 K.ASAKAWA APP'D BY '90/11/15 M.ENOMOTO 尺度 SCALE //		MOLEX MOLEX-JAPAN CO.,LTD. 日本モレックス株式会社 EDP. NO. ENG. NO. SD-50217-**** TITLE 名称 3.5 WIRE TO BOARD CONN. CRIMP RECEPTACLE REV A	
角度 ANGLE	±3°																										
30以上 OVER	+0.3	A 変更 (J00226)	90-2-28																								
10以上 30未滿 UNDER	+0.25	0 新規作成 (J91079)	89-12-19																								
10未滿 UNDER	+0.2	記号 LTR 変更内容 REVISION RECORD	DR. CHK. DATE																								
一般公差 GENERAL TOLERANCES		REVISE ONLY ON CAD SYSTEM																									

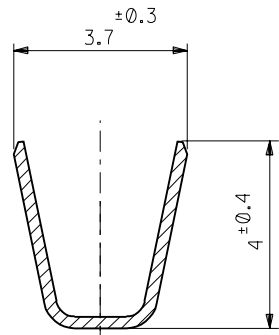
THIS DRAWING CONTAINS INFORMATION THAT IS PROPRIETARY TO MOLEX(JAPAN) AND SHOULD NOT BE USED WITHOUT WRITTEN PERMISSION
 本図面は日本モレックス(株)の所有する情報を含むもので 当社の許可なく複製を禁止する。

ENG. NO. SD-50217-****
EDP NO.

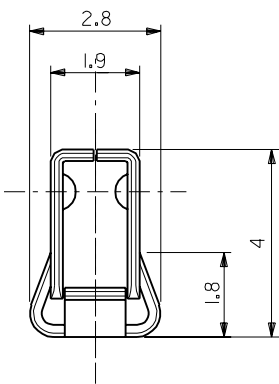
MM DIMENSIONS IN METRIC DO NOT SCALE DRAWING



SECT.A-A



SECT.B-B



NOTES

1. APPLICABLE HOUSING :51067-***0

PHOS. BRO. PRE-TINNED (t=0.254)	50217-8100	LOOSE
	50217-8000	CHAIN
BRASS PRE-TINNED (t=0.254)	50217-9101	LOOSE
	50217-9001	CHAIN
MATERIAL	ENG. NO.	FORM

材料 MATERIAL
REFER TO CHART

molex MOLEX-JAPAN CO.,LTD.
日本モレックス株式会社

仕上げ FINISH —

EDP. NO.

適用電線範囲 WIRE RANGE AWG#18~#24

ENG. NO. SD-50217-**** REV A

被覆外径 INS. RANGE φ 1.4 ~ φ 3.0

TITLE 名称 3.5 WIRE TO BOARD CONN. CRIMP RECEPTACLE

DRAWN BY '90/11/14 S.AIHARA
CHK'D BY '90/11/15 M.FUKUSHIMA
APP'D BY '90/11/15 M.ENOMOTO
尺度 SCALE —

角度 ANGLE	±3°				
30以上 OVER	+0.3	A	REVISED (J01176)	5.3	90/11/14
10以上 30未滿 UNDER	+0.25	0	PROPOSED (J91079)	4.3	89/12/18
10未滿 UNDER	+0.2	記号 LTR	変更内容 REVISION RECORD	DR. CHK.	日付 DATE
一般公差 GENERAL TOLERANCES		REVISE ONLY ON CAD SYSTEM			

THIS DRAWING CONTAINS INFORMATION THAT IS PROPRIETARY TO MOLEX(JAPAN) AND SHOULD NOT BE USED WITHOUT WRITTEN PERMISSION
本図面は日本モレックス(株)の所有する情報を含むもので 当社の許可なく複製を禁止する。