



Chipsmall Limited consists of a professional team with an average of over 10 year of expertise in the distribution of electronic components. Based in Hongkong, we have already established firm and mutual-benefit business relationships with customers from,Europe,America and south Asia,supplying obsolete and hard-to-find components to meet their specific needs.

With the principle of “Quality Parts,Customers Priority,Honest Operation,and Considerate Service”,our business mainly focus on the distribution of electronic components. Line cards we deal with include Microchip,ALPS,ROHM,Xilinx,Pulse,ON,Everlight and Freescale. Main products comprise IC,Modules,Potentiometer,IC Socket,Relay,Connector.Our parts cover such applications as commercial,industrial, and automotives areas.

We are looking forward to setting up business relationship with you and hope to provide you with the best service and solution. Let us make a better world for our industry!



Contact us

Tel: +86-755-8981 8866 Fax: +86-755-8427 6832

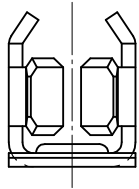
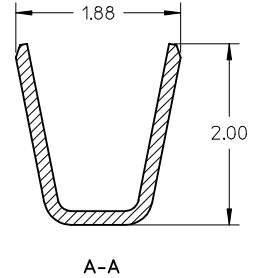
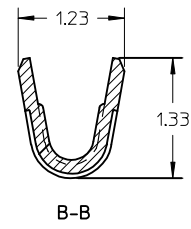
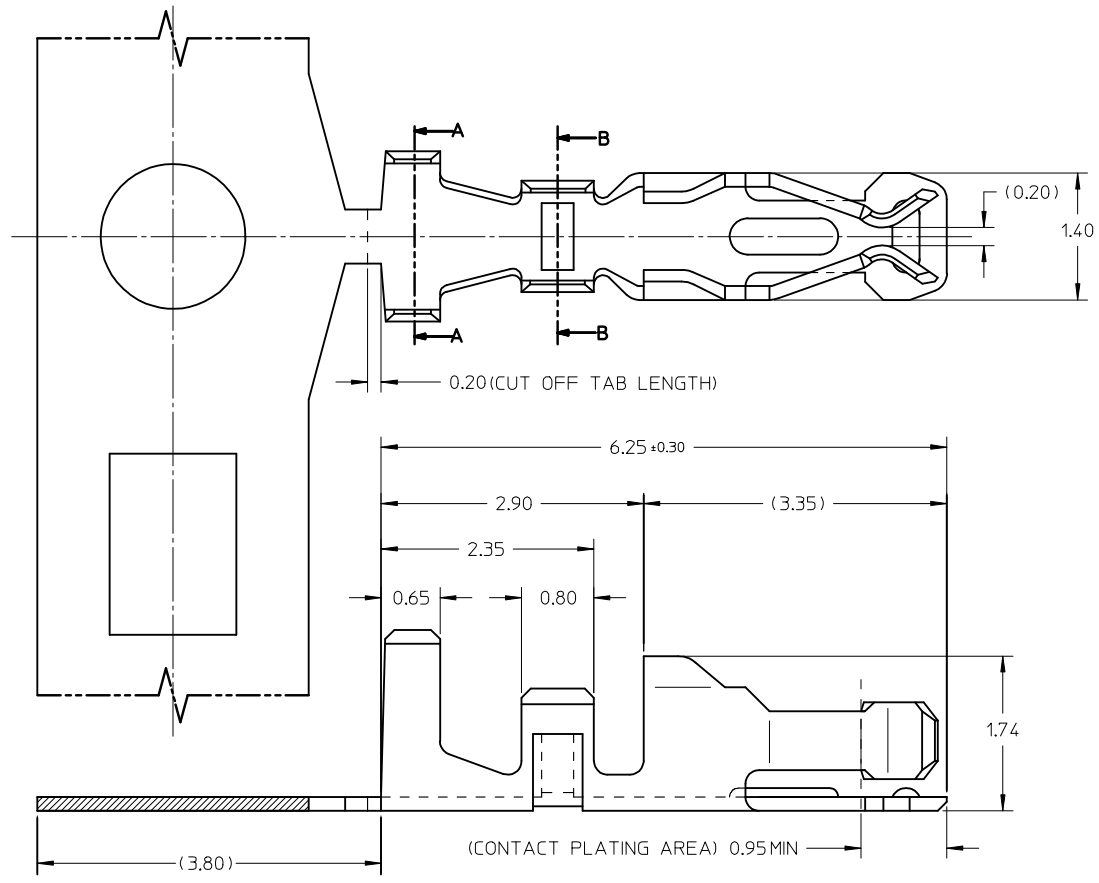
Email & Skype: info@chipsmall.com Web: www.chipsmall.com

Address: A1208, Overseas Decoration Building, #122 Zhenhua RD., Futian, Shenzhen, China



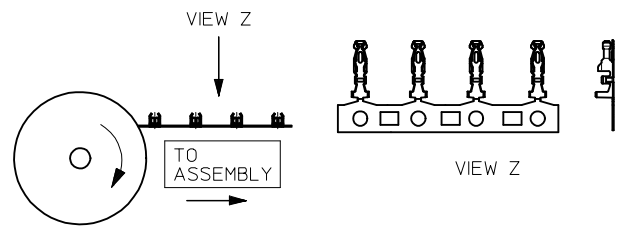
10 9 8 7 6 5 4 3 2 1

ENG. NO.		CONTACT PLATING (NICKEL OVERALL 2µm MIN)
FORM: LOOSE	FORM: CHAIN	
50394-8100	50394-8051	0.38µm GOLD MIN
50394-8200	50394-8052	0.76µm GOLD MIN
50394-8400	50394-8054	GOLD FLASH 0.05-0.125µm
50394-8500	50394-8055	2.50µm MATTE TIN MIN



- NOTES :
- 1. APPLICABLE HOUSING : 51110-***1
: 51110-**5*
: 151100-00**

WINDING DIRECTION



ADD TIN PLATING EC NO: S2016-0736 DRW:NFC500 CHKD:CGH APPR:KHLIM	2016/02/17	QUALITY SYMBOLS F=0 F=0 F=0
	2016/02/14	
2016/02/15	DESCRIPTION	
REV	B2	

GENERAL TOLERANCES (UNLESS SPECIFIED)	
mm	INCH
4 PLACES ± ---	± ---
3 PLACES ± ---	± ---
2 PLACES ± 0.20	± ---
1 PLACE ± ---	± ---
0 PLACE ± ---	± ---
ANGULAR ± 3°	
DRAFT WHERE APPLICABLE MUST REMAIN WITHIN DIMENSIONS	

DIMENSION STYLE		SCALE	DESIGN UNITS	THIRD ANGLE PROJECTION
MM ONLY		NTS	METRIC	
DRAWN BY	DATE	TITLE		
S.Q	1994/04/20	SALES DRAWING		
CHECKED BY	DATE	2.0MM GRID W TO B CONN.		
EDPOH	1994/04/27	CRIMP TERMINAL		
APPROVED BY	DATE	molex MATERIAL NO. SEE TABLE DOCUMENT NO. SD-50394-8XXX SHEET NO. 1 OF 1		
LBLEE	2013/11/13			

THIS DRAWING CONTAINS INFORMATION THAT IS PROPRIETARY TO MOLEX INCORPORATED AND SHOULD NOT BE USED WITHOUT WRITTEN PERMISSION

9 8 7 6 5 4 3 2 1