



Chipsmall Limited consists of a professional team with an average of over 10 year of expertise in the distribution of electronic components. Based in Hongkong, we have already established firm and mutual-benefit business relationships with customers from,Europe,America and south Asia,supplying obsolete and hard-to-find components to meet their specific needs.

With the principle of “Quality Parts,Customers Priority,Honest Operation,and Considerate Service”,our business mainly focus on the distribution of electronic components. Line cards we deal with include Microchip,ALPS,ROHM,Xilinx,Pulse,ON,Everlight and Freescale. Main products comprise IC,Modules,Potentiometer,IC Socket,Relay,Connector.Our parts cover such applications as commercial,industrial, and automotives areas.

We are looking forward to setting up business relationship with you and hope to provide you with the best service and solution. Let us make a better world for our industry!



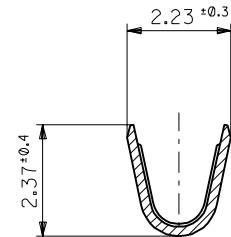
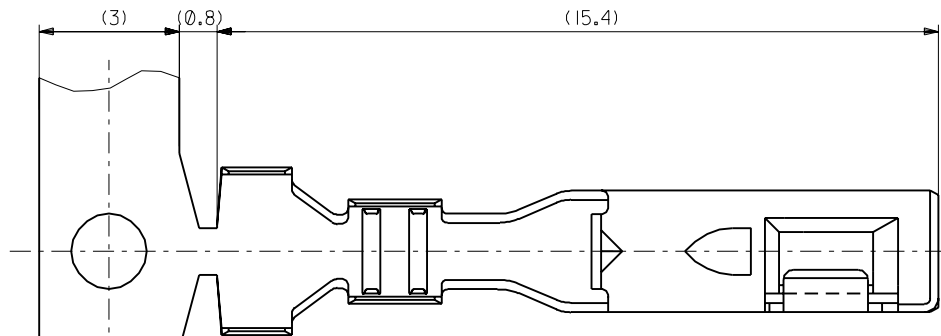
Contact us

Tel: +86-755-8981 8866 Fax: +86-755-8427 6832

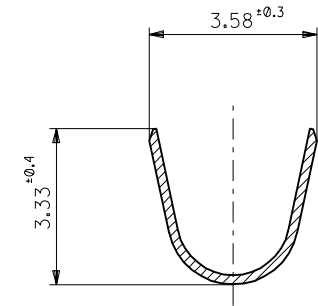
Email & Skype: info@chipsmall.com Web: www.chipsmall.com

Address: A1208, Overseas Decoration Building, #122 Zhenhua RD., Futian, Shenzhen, China

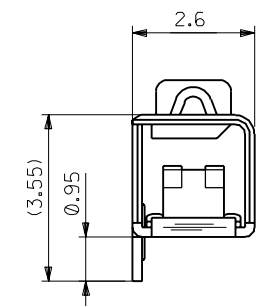
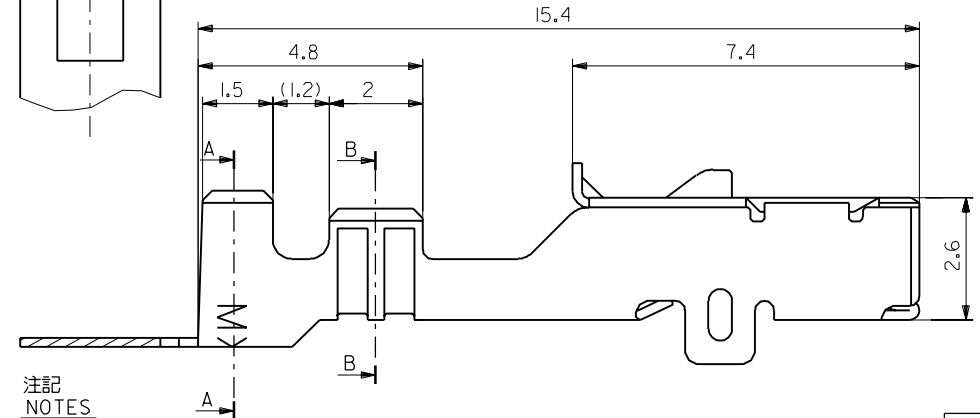




SECT. B-B



SECT. A-A



注記
NOTES

- 適合ハウジング: 51115-1601, 51116-1601
APPLICABLE HOUSING: 51115-1601, 51116-1601
- 材料: リン青銅、錫メッキ材 (t=0.2)
MATERIAL: PRE-TINNED PHOSPHOR BRONZE (t=0.2)
- 適用電線: APPLICABLE WIRE RANGE
AVS-0.3, AVS-0.3f, AVS-0.5, AVS-0.5f, AVSS-0.5
AVSS-0.5f, CAVS-0.5, AVS-0.75f, AVSS-0.75f
AVS-0.85, AVSS-0.85, CAVS-0.85

角度 ANGLE	±3°				
30以上 OVER	+0.3				
10以上 30未満 UNDER	+0.25	A	変更 (J450187)	K.F.M.S	94/6/30
10未満 UNDER	+0.2	0	新規作成 (J45066)	K.F.M.S	94/3/2
一般公差 GENERAL TOLERANCES		記号 LTR	変更内容 REVISION RECORD	DR. CHK.	日付 DATE

材料 MATERIAL	注記2 参照 SEE NOTE 2
仕上げ FINISH	—#—
適用電線範囲 WIRE RANGE	注記3 参照 SEE NOTE 3
被覆外径 INS. RANGE	Ø1.6-2.3
DRAWN BY '94/3/3	CHK'D BY '94/6/30
K.FURUYAMA	M.SANO M.SAKANO
APP'D BY '94/6/30	尺度 SCALE 10 : 1
M.ENOMOTO	

50420-8100	バラ状 LOOSE
50420-8000	連鎖状 CHAIN
ENG. NO.	端子形状 FORM

molex MOLEX-JAPAN CO.,LTD.
日本モレックス株式会社

REVISE ONLY ON CAD SYSTEM

TITLE 名称
4.0 WIRE TO WIRE
CRIMP RECEPTACLE
(SAE J1962 DIAGNOSTIC CONNECTOR)

DWG. NO. SD-50420-8*00

REV A