



Chipsmall Limited consists of a professional team with an average of over 10 year of expertise in the distribution of electronic components. Based in Hongkong, we have already established firm and mutual-benefit business relationships with customers from,Europe,America and south Asia,supplying obsolete and hard-to-find components to meet their specific needs.

With the principle of “Quality Parts,Customers Priority,Honest Operation,and Considerate Service”,our business mainly focus on the distribution of electronic components. Line cards we deal with include Microchip,ALPS,ROHM,Xilinx,Pulse,ON,Everlight and Freescale. Main products comprise IC,Modules,Potentiometer,IC Socket,Relay,Connector.Our parts cover such applications as commercial,industrial, and automotives areas.

We are looking forward to setting up business relationship with you and hope to provide you with the best service and solution. Let us make a better world for our industry!



Contact us

Tel: +86-755-8981 8866 Fax: +86-755-8427 6832

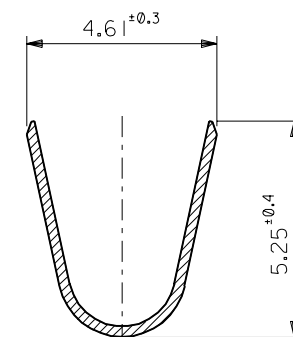
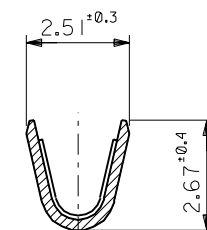
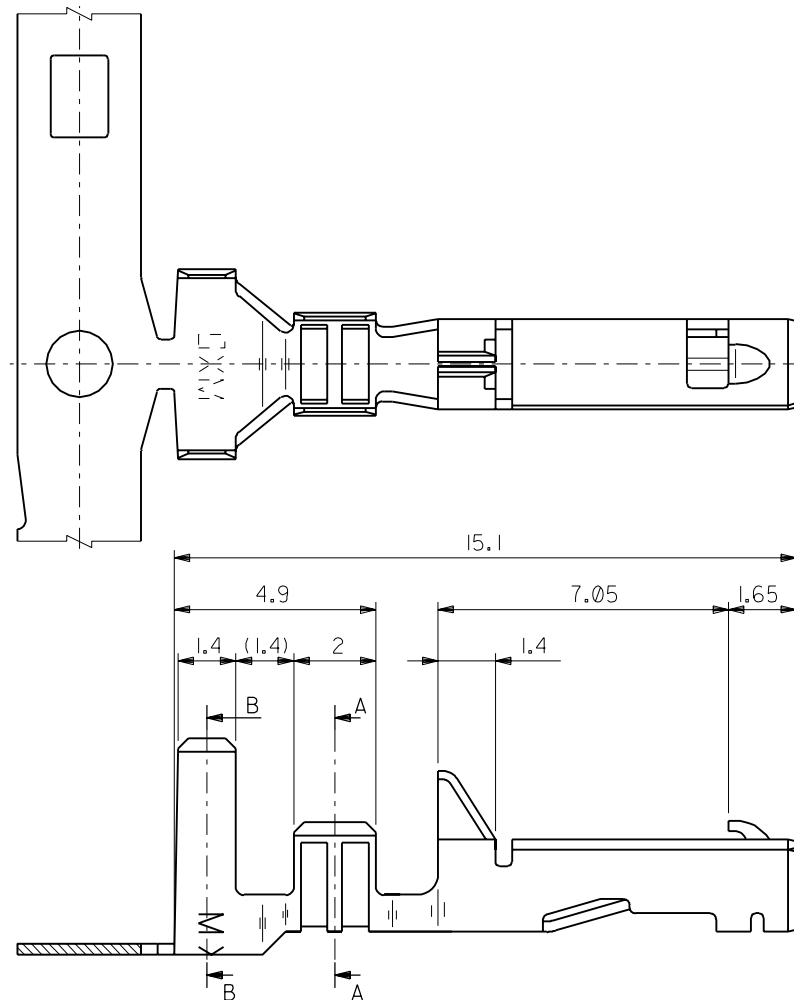
Email & Skype: info@chipsmall.com Web: www.chipsmall.com

Address: A1208, Overseas Decoration Building, #122 Zhenhua RD., Futian, Shenzhen, China



DWG. NO.
SD-50597-8*00

MM DIMENSIONS IN METRIC DO NOT SCALE DRAWING



50597-8100	バラ状 LOOSE
50597-8000	連鎖状 CHAIN
ENG. NO.	端子形状 FORM

注記
NOTES

- 適合ハウジング : 51138 , 51142 シリーズ
APPLICABLE HOUSING : 51138 , 51142 SERIES
 - 材料 : 銅合金, 錫メッキ (t=0.25)
MATERIAL : COPPER ALLOY , TIN PLATED (t=0.25)
- △ リテーナー使用時 : $\phi 2.5$ MAX.
WHEN RETAINER USING : $\phi 2.5$ MAX.

角度 ANGLE	$\pm 30^\circ$	材料 MATERIAL	注記参照 SEE NOTES
30 以上 OVER	± 0.3	仕上げ FINISH	注記参照 SEE NOTES
10 以上 OVER 30 未満 UNDER	± 0.25	適用電線範囲 WIRE RANGE	AWG #16-22
10 未満 UNDER	± 0.2	被覆外径 INS. RANGE	$\Delta \phi 2.0-3.3$
一般公差 GENERAL TOLERANCES		DRAWN BY '95/12/15	CHK'D BY '95/12/15
記号 LTR	変更内容 REVISION RECORD	H.H. '95/12/15	Y.M. H.HIRAMOTO
		DR. CHK. 日付 DATE	APP'D BY '95/12/15
			M. FUKUSHIMA 尺度 SCALE 8 : 1

molex MOLEX-JAPAN CO.,LTD. 日本モレックス株式会社	
REVISE ONLY ON CAD SYSTEM	
TITLE 名称 3.96 W/W & W/B CONN. CRIMP TERMINAL	
DWG. NO.	REV
SD-50597-8*00	0

THIS DRAWING CONTAINS INFORMATION THAT IS PROPRIETARY TO MOLEX(JAPAN) AND SHOULD NOT BE USED WITHOUT WRITTEN PERMISSION
本図面は日本モレックス(株)の所有する情報を含むもので 当社の許可なく複製を禁止する。

EN-01C(032)MXJ-32