



Chipsmall Limited consists of a professional team with an average of over 10 year of expertise in the distribution of electronic components. Based in Hongkong, we have already established firm and mutual-benefit business relationships with customers from,Europe,America and south Asia,supplying obsolete and hard-to-find components to meet their specific needs.

With the principle of "Quality Parts,Customers Priority,Honest Operation,and Considerate Service",our business mainly focus on the distribution of electronic components. Line cards we deal with include Microchip,ALPS,ROHM,Xilinx,Pulse,ON,Everlight and Freescale. Main products comprise IC,Modules,Potentiometer,IC Socket,Relay,Connector.Our parts cover such applications as commercial,industrial, and automotives areas.

We are looking forward to setting up business relationship with you and hope to provide you with the best service and solution. Let us make a better world for our industry!



## Contact us

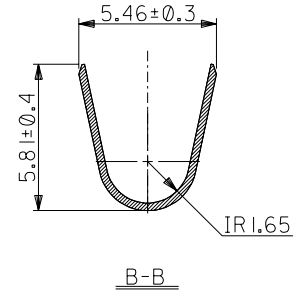
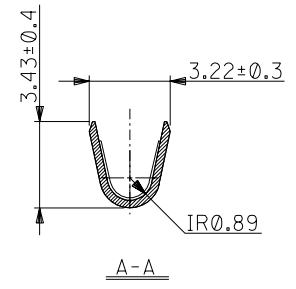
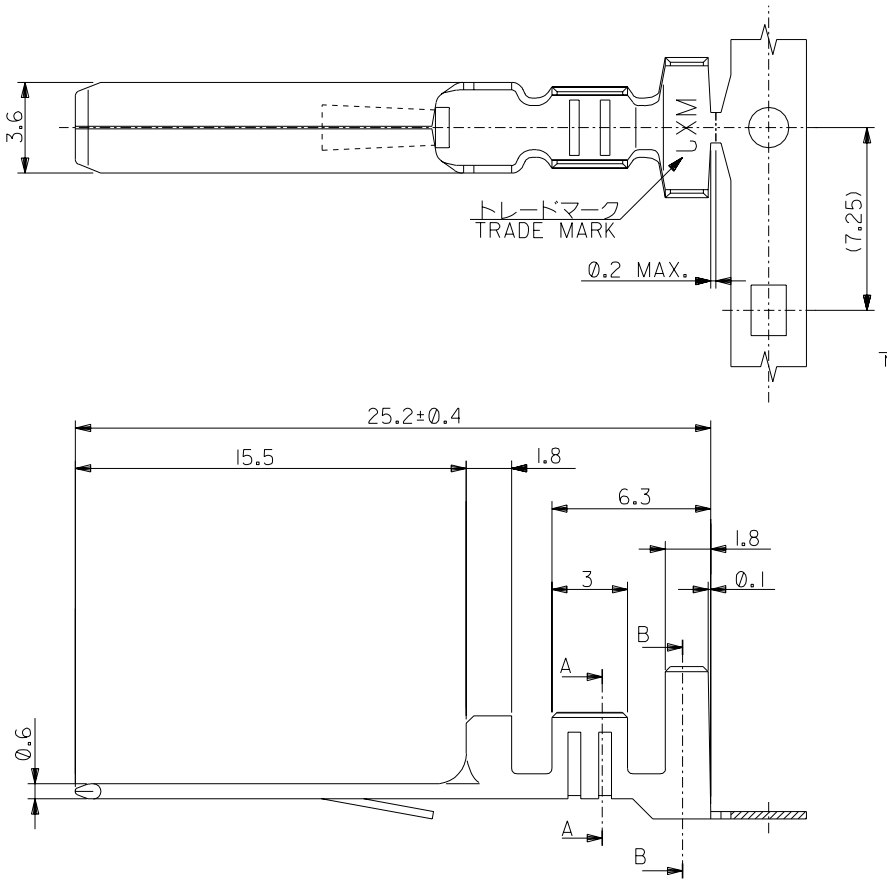
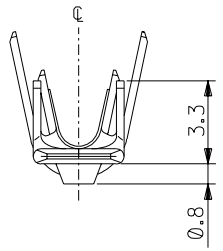
Tel: +86-755-8981 8866 Fax: +86-755-8427 6832

Email & Skype: info@chipsmall.com Web: www.chipsmall.com

Address: A1208, Overseas Decoration Building, #122 Zhenhua RD., Futian, Shenzhen, China



DWG. NO. SD-50638-001



- 注) NOTES:
1. 材質 MATERIAL  
黄銅 (板厚: 0.3)  
BRASS (THICKNESS : 0.3)
  2. メッキ仕様 TERMINAL PLATING  
接点部 : 金メッキ 0.1μmMIN.  
CONTACT AREA : GOLD 0.1 MICROMETER MINIMUM.  
: パラジウムニッケルメッキ 0.6μmMIN.  
: PD-NI 0.6 MICROMETER MINIMUM.  
圧着部 : 錫メッキ 1.0 μm MIN.  
CRIMP AREA : TIN 1.0 MICROMETER MINIMUM.  
下地メッキ : ニッケルメッキ 1.5 μm MIN.  
UNDER PLATE : NICKEL 1.5 MICROMETER MINIMUM.
  3. 適用電線範囲: UL 1015, UL 1865, AWG #16~14  
APPLICABLE WIRE RANGE : UL 1015, UL 1865, AWG #16~14
  4. 被覆外径 : φ3.8MAX.  
INSULATION EXTERNAL DIA : φ3.8MAX.
  5. 50638-9028 は 50638-9049 の鉛フリー品である。  
50638-9128 は 50638-9149 の鉛フリー品である。  
50638-9028 IS LEAD FREE OF 50638-9049.  
50638-9128 IS LEAD FREE OF 50638-9149.

|                                |              |
|--------------------------------|--------------|
| バラ状<br>LOOSE                   | 50638-9128   |
| 連鎖状<br>CHAIN                   | 50638-9028   |
| 端子形状<br>TERMINAL CONFIGURATION | MATERIAL NO. |

DO NOT SCALE DRAWING

|                             |                             |                             |                             |   |
|-----------------------------|-----------------------------|-----------------------------|-----------------------------|---|
| 64 NO.<br>DRWN: CH'K: APPR: | 63 NO.<br>DRWN: CH'K: APPR: | 62 NO.<br>DRWN: CH'K: APPR: | 61 NO.<br>DRWN: CH'K: APPR: | 新規作成 RELEASED<br>60 NO. J2004-4129<br>DRWN: M.NAGATA '04/05/10<br>CH'K: K.TOJO '04/05/10<br>APPR: M.SASAO '04/05/10 |
| 0                           | 0                           | 0                           | 0                           | 0   |

|                   |   |
|-------------------|---|
| MATERIAL 材料       | # |
| FINISH 仕上げ        | # |
| WIRE RANGE 適用電線範囲 | # |
| INS. RANGE 被覆外径   | # |

|   |                  |                           |                 |
|---|------------------|---------------------------|-----------------|
| GENERAL TOLERANCES: (UNLESS SPECIFIED) 一般公差 | 10 UNDER 未満 ±0.2 | 10 OVER 30 UNDER 未満 ±0.25 | 30 OVER 以上 ±0.3 |
| ANGLE 角度                                    | ±3°              |                           |                 |

|                                    |   |  |     |     |
|------------------------------------|---|--|-----|-----|
| MODEL NO. 50638-****               | DIMENSIONS: <input type="checkbox"/> mm <input type="checkbox"/> INCH <input checked="" type="checkbox"/> mm ONLY |  | SHT | REV |
| SCALE 5:1                          | DESIGN UNITS <input checked="" type="checkbox"/> mm <input type="checkbox"/> INCH                                 | TITLE: 2mm PITCH AC/DC CONN. PLUG CRIMP TERM. (MII DRAWER CONNECTOR) -LEAD FREE- |     |     |
| DRAWN BY & DATE M.NAGATA '04/05/10 |   | APPROVED BY & DATE M.SASAO '04/05/10   |     |     |
| CHECKED BY & DATE K.TOJO '04/05/10 |   | MATERIAL NO. SEE CHART   |     |     |
| DRAWN BY & DATE M.SASAO '04/05/10  |   | DRAWING NO. SD-50638-001   |     |     |
| CAD FILENAME SD-50638-001.S01      |   | SHEET NO. 1 OF 1   |     |     |

THIS DRAWING CONTAINS INFORMATION THAT IS PROPRIETARY TO MOLEX INCORPORATED AND SHOULD NOT BE USED WITHOUT WRITTEN PERMISSION. SIZE B