



Chipsmall Limited consists of a professional team with an average of over 10 year of expertise in the distribution of electronic components. Based in Hongkong, we have already established firm and mutual-benefit business relationships with customers from,Europe,America and south Asia,supplying obsolete and hard-to-find components to meet their specific needs.

With the principle of “Quality Parts,Customers Priority,Honest Operation,and Considerate Service”,our business mainly focus on the distribution of electronic components. Line cards we deal with include Microchip,ALPS,ROHM,Xilinx,Pulse,ON,Everlight and Freescale. Main products comprise IC,Modules,Potentiometer,IC Socket,Relay,Connector.Our parts cover such applications as commercial,industrial, and automotives areas.

We are looking forward to setting up business relationship with you and hope to provide you with the best service and solution. Let us make a better world for our industry!



Contact us

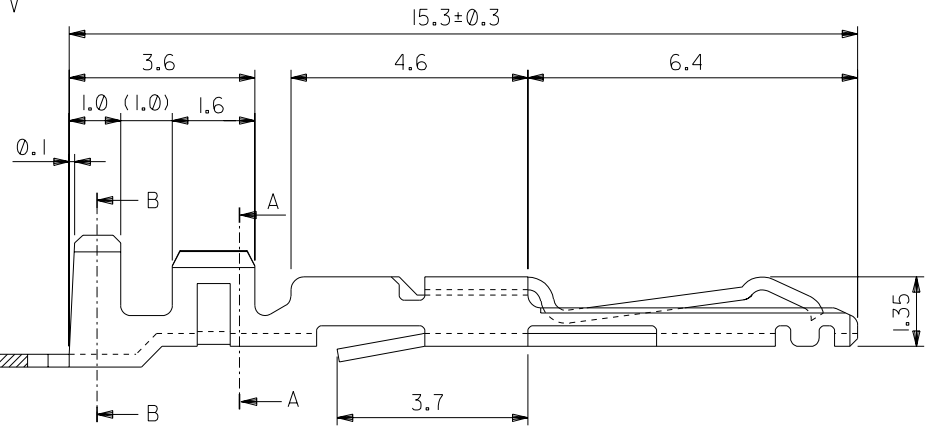
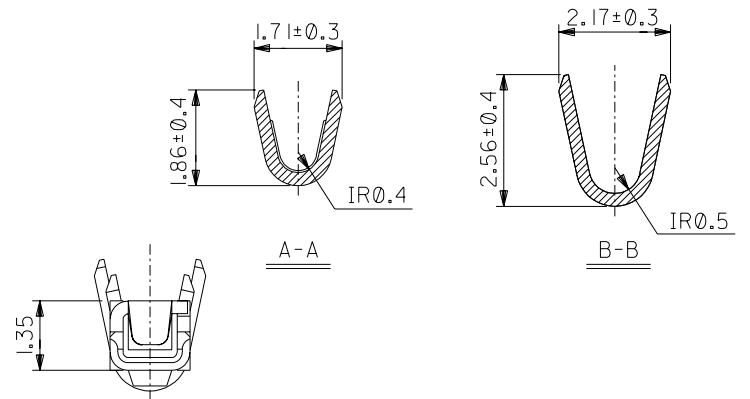
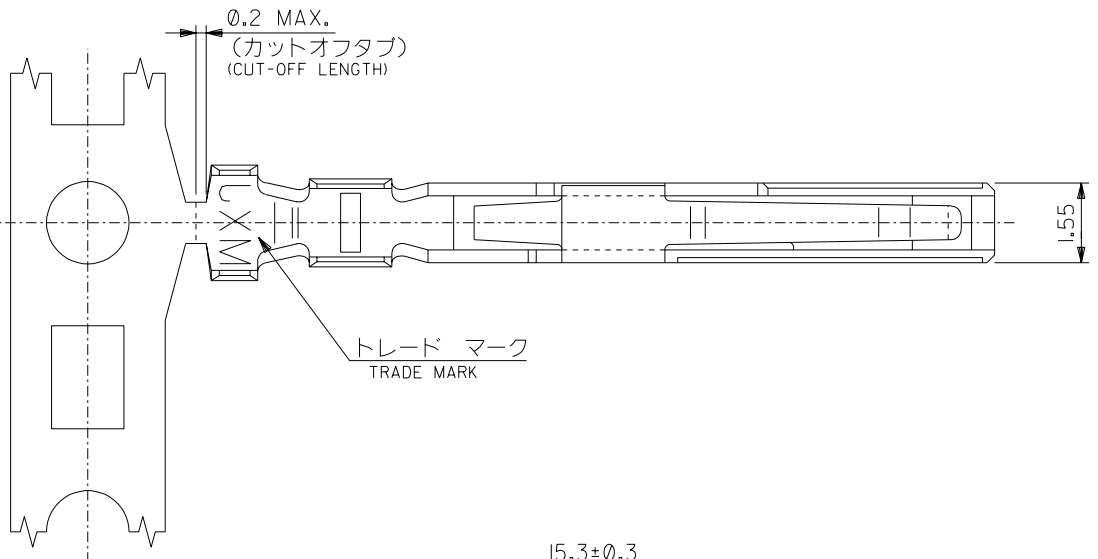
Tel: +86-755-8981 8866 Fax: +86-755-8427 6832

Email & Skype: info@chipsmall.com Web: www.chipsmall.com

Address: A1208, Overseas Decoration Building, #122 Zhenhua RD., Futian, Shenzhen, China



- 注) NOTES
1. 材質 : りん青銅 t0.25
MATERIAL : PHOSPHOR BRONZE t0.25
 2. ムッキ仕様
PLATING
接点部 : 金メッキ 0.76μmMIN.
CONTACT AREA : GOLD 0.76μmMIN.
圧着部 : 錫メッキ 1.0μmMIN.
CRIMP AREA : TIN 1.0μmMIN.
下地メッキ : ニッケルメッキ 2μmMIN.
UNDER PLATING : NICKEL 2μmMIN.
 3. 適用圧着ハウジング : 51145-0601/0801
APPLICABLE CRIMP HOUSING : 51145-0601/0801
 4. 適用電線範囲 : AWG #22 - #28
APPLICABLE WIRES : AWG#22 - #28
 5. 被覆外径 : φ1.2mmMAX.
INSULATION O.D : φ1.2 mmMAX.
 6. 適用圧着工具 (手動) : 57353-5000
APPLICABLE CRIMP TOOL (HAND) : 57353-5000
(半自動) : 57353-3000
(SEMI-AUTOMATIC) : 57353-3000
(ストリッパークリンパー) : 57353-3300
(STRIPPER CRIMPER) : 57353-3300
 7. 適用引抜工具 : 57353-6000
APPLICABLE EXTRACTION TOOL : 57353-6000
 8. 本製品は50639-8*91の鉛フリー品である。
THIS PRODUCT IS LEAD FREE OF 50639-8*91.



バラ状 / LOOSE	50639-8128
連鎖状 / CHAIN	50639-8028
端子形状 / FORM	MATERIAL NO.

材料 MATERIAL	注参照 SEE NOTES
仕上げ FINISH	注参照 SEE NOTES
適用電線範囲 WIRE RANGE	注参照 SEE NOTES
被覆外径 INS. RANGE	注参照 SEE NOTES
DRAWN BY '04/04/15 H.KAWABATA	CHK'D BY '04/04/15 K.TOJO
APP'D BY '04/04/15 M.SASAO	尺度 SCALE 10 : 1
角度 ANGLE ±3°	
30 以上 OVER ±0.3	
10 以上 30 未満 OVER UNDER ±0.25	
10 未満 UNDER ±0.2	
一般公差 GENERAL TOLERANCES	記号 LTR
新規作成 RELEASED	変更内容 REVISION RECORD
DR. K.T	日付 DATE '04/04/15

molex MOLEX-JAPAN CO.,LTD. 日本モレックス株式会社	
REVISE ONLY ON CAD SYSTEM	
TITLE 名称 2.0 mm PITCH I/O CONN. CRIMP TERMINAL -LEAD FREE-	
DWG. NO.	REV
SD-50639-001	0

DIMENSIONS IN METRIC DO NOT SCALE DRAWING

DWC. NO.
SD-50639-001

SD-50639-001.S01