



Chipsmall Limited consists of a professional team with an average of over 10 year of expertise in the distribution of electronic components. Based in Hongkong, we have already established firm and mutual-benefit business relationships with customers from,Europe,America and south Asia,supplying obsolete and hard-to-find components to meet their specific needs.

With the principle of “Quality Parts,Customers Priority,Honest Operation,and Considerate Service”,our business mainly focus on the distribution of electronic components. Line cards we deal with include Microchip,ALPS,ROHM,Xilinx,Pulse,ON,Everlight and Freescale. Main products comprise IC,Modules,Potentiometer,IC Socket,Relay,Connector.Our parts cover such applications as commercial,industrial, and automotives areas.

We are looking forward to setting up business relationship with you and hope to provide you with the best service and solution. Let us make a better world for our industry!



## Contact us

Tel: +86-755-8981 8866 Fax: +86-755-8427 6832

Email & Skype: info@chipsmall.com Web: www.chipsmall.com

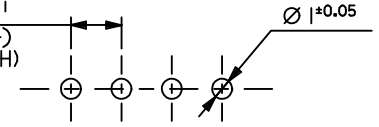
Address: A1208, Overseas Decoration Building, #122 Zhenhua RD., Futian, Shenzhen, China



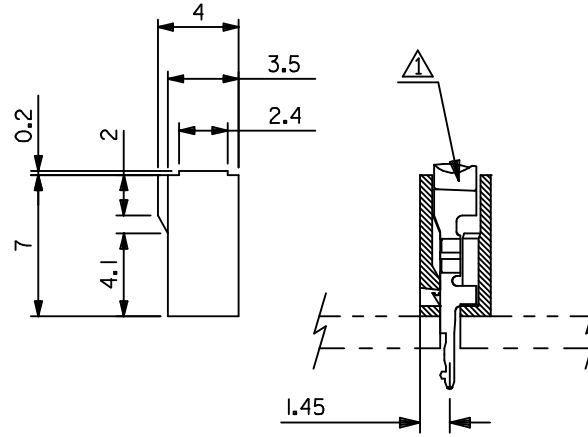
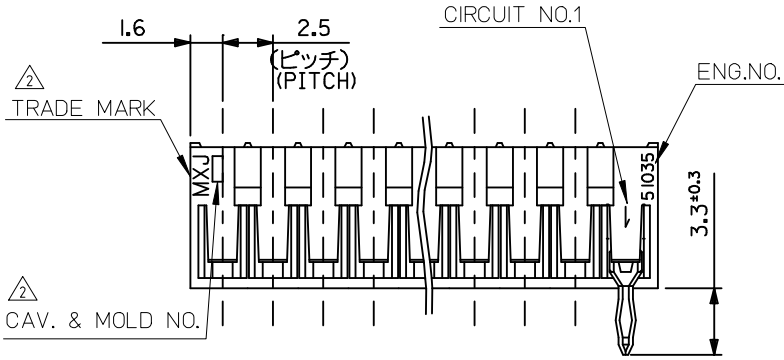
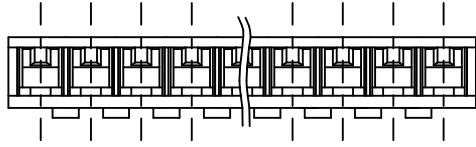
**注記  
NOTE**

- △ 適合ターミナル: 500978\*00  
APPLICABLE: 500978\*00
- △ トレードマーク: MXJにて表示。  
キャビティー番号: 1桁から2桁の数字にて表示。 金型番号: アルファベット1文字にて表示。  
TRADE MARK IS FORMED BY MXJ.  
AND BY 1-2 DIGIT NUMBER (TO CAVITY NO.)  
AND BY 1 LETTER OD ALPHABET (TO MOLD NO.)
- 3. ELV及びRoHS適合品  
ELV AND RoHS COMPLIANT.

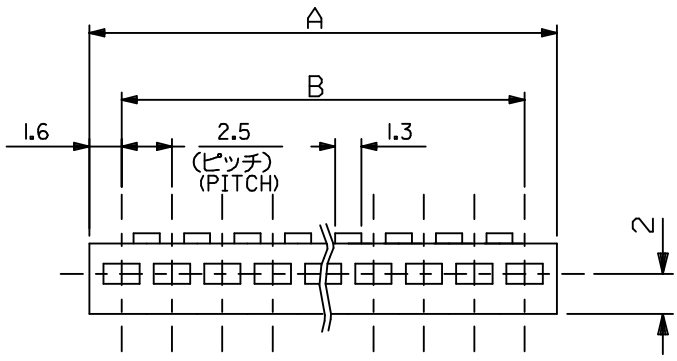
(公差非累積)  
(NON-ACCUMULATIVE)  
2.5<sup>+0.1</sup>  
(ピッチ)  
(PITCH)



**基板取付穴推奨寸法 (基板厚: 1.6mm)**  
RECOMMENDED PC BOARD HOLE DIMENSION  
(THICKNESS: 1.6mm)



42.5	45.7	51035	1800	18
37.5	40.7	↑	1600	16
35.0	38.2		1500	15
32.5	35.7		1400	14
30.0	33.2		1300	13
27.5	30.7		1200	12
25.0	28.2		1100	11
22.5	25.7		1000	10
20.0	23.2		0900	9
17.5	20.7		0800	8
15.0	18.2		0700	7
12.5	15.7		0600	6
10.0	13.2		0500	5
7.5	10.7		0400	4
5.0	8.2		0300	3
2.5	5.7	51035	0200	2
B	A	ORDER NO.	電 機 C K T.	



材料 MATERIAL	POLYAMIDE, UL94V-0
適用電線範囲 WIRE RANGE	AWGH24~20,KV0.2~0.5 AVS0.3~0.5
被覆外径 INS. RANGE	φ1.3~2.1

<b>REVISED</b> EC NO.: J2016-0744 2016/01/18 DRWN: CHEJ1 2016/01/18 CHKD: SAKIYAMA 2016/01/27 APPR: KANEKO 2016/01/27	GENERAL TOLERANCES (UNLESS SPECIFIED)		DIMENSION STYLE	SCALE	DESIGN UNITS	THIRD ANGLE PROJECTION
			MM ONLY	4:1	METRIC	
	10 UNDER	± 0.2	DRAWN BY	DATE	TITLE	
	10 OVER 30 UNDER	± 0.25	KSANO	1996/06/30	2.5 BOARD IN CONN. HOUSING	
30 OVER	± 0.3	CHECKED BY	DATE			
		MSAKANO	1996/06/30			
		APPROVED BY	DATE			
		MENOMOTO	1996/06/30			
		MATERIAL NO.	DOCUMENT NO.			
		SEE CHART				
		SIZE	THIS DRAWING CONTAINS INFORMATION THAT IS PROPRIETARY TO MOLEX INCORPORATED AND SHOULD NOT BE USED WITHOUT WRITTEN PERMISSION			
		A3				