



Chipsmall Limited consists of a professional team with an average of over 10 year of expertise in the distribution of electronic components. Based in Hongkong, we have already established firm and mutual-benefit business relationships with customers from,Europe,America and south Asia,supplying obsolete and hard-to-find components to meet their specific needs.

With the principle of “Quality Parts,Customers Priority,Honest Operation,and Considerate Service”,our business mainly focus on the distribution of electronic components. Line cards we deal with include Microchip,ALPS,ROHM,Xilinx,Pulse,ON,Everlight and Freescale. Main products comprise IC,Modules,Potentiometer,IC Socket,Relay,Connector.Our parts cover such applications as commercial,industrial, and automotives areas.

We are looking forward to setting up business relationship with you and hope to provide you with the best service and solution. Let us make a better world for our industry!



Contact us

Tel: +86-755-8981 8866 Fax: +86-755-8427 6832

Email & Skype: info@chipsmall.com Web: www.chipsmall.com

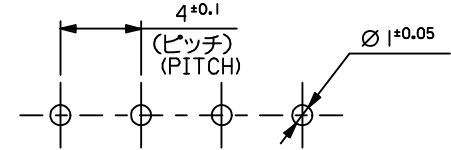
Address: A1208, Overseas Decoration Building, #122 Zhenhua RD., Futian, Shenzhen, China



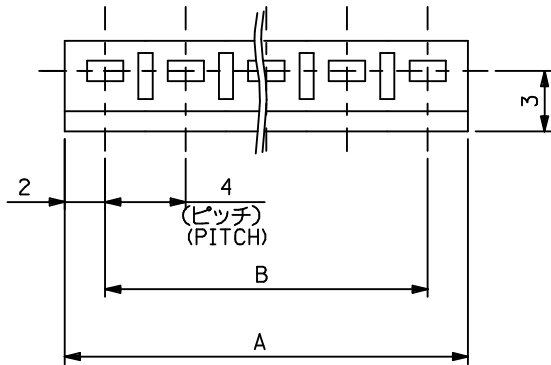
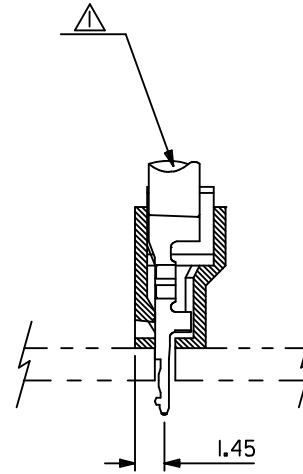
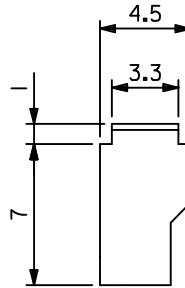
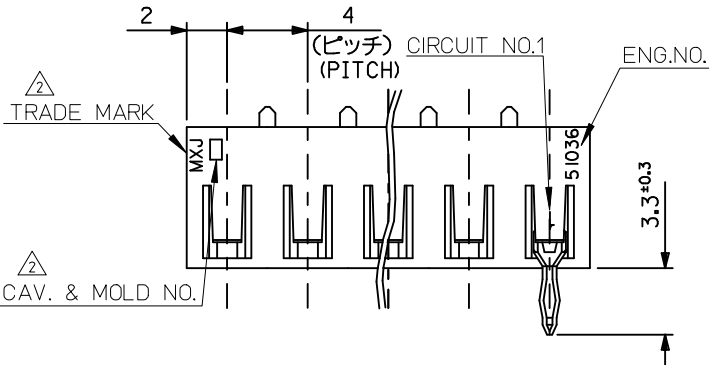
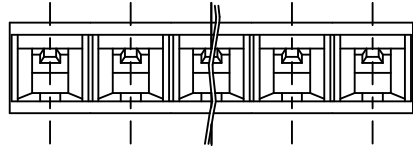
注記
NOTE

- ① 適合ターミナル: 500978*00
APPLICABLE: 500978*00
- ② トレードマーク: MXJにて表示。
キャビティ番号: 1桁から2桁の数字にて表示。 金型番号: アルファベット1文字にて表示。
TRADE MARK IS FORMED BY MXJ.
AND BY 1-2 DIGIT NUMBER (TO CAVITY NO.)
AND BY 1 LETTER OF ALPHABET (TO MOLD NO.)
- 3. ELV及RoHS適合品
ELV AND RoHS COMPLIANT.

(公差非累積)
(NON-ACCUMULATIVE)



基板取付穴推奨寸法(基板厚: 1.6mm)
RECOMMENDED PC BOARD
HOLE DIMENSION
(THICKNESS: 1.6mm)



56	60	51036	1500	15
52	56	↑	1400	14
48	52		1300	13
44	48		1200	12
40	44		1100	11
36	40		1000	10
32	36		0900	9
28	32		0800	8
24	28		0700	7
20	24		0600	6
16	20		0500	5
12	16		0400	4
8	12		0300	3
4	8	51036	0200	2
B	A	ENG.NO.		機 種 CRT.

材料 MATERIAL	POLYAMIDE,UL94V-0
適用電線範囲 WIRE RANGE	AWG#22~18,AV0.5~0.85 AVS0.3~0.85
被覆外径 INS. RANGE	φ1.8~2.6

REVISED EC NO.: J2012-0915 DRWN: KWASHIO 2012/01/20 CHKD: KASAKAWA 2013/05/28 APPR: NUKITA 2013/05/28 G	DESCRIPTION GENERAL TOLERANCES (UNLESS SPECIFIED) 10 UNDER ±0.2 10 OVER 30 UNDER ±0.25 30 OVER ±0.3 ANGULAR ±3 ° DRAFT WHERE APPLICABLE MUST REMAIN WITHIN DIMENSIONS	DIMENSION STYLE MM ONLY	SCALE 4:1	DESIGN UNITS METRIC	THIRD ANGLE PROJECTION	
		DRAWN BY KSANO	DATE 1996/06/30	TITLE 4.0 BOARD IN CONNECTOR HOUSING		
		CHECKED BY MSAKANO	DATE 1996/06/30	molex		
		APPROVED BY MENOMOTO	DATE 1996/06/30	MATERIAL NO. SEE CHART	DOCUMENT NO. SD-51036-001	SHEET NO. 1 OF 1
THIS DRAWING CONTAINS INFORMATION THAT IS PROPRIETARY TO MOLEX INCORPORATED AND SHOULD NOT BE USED WITHOUT WRITTEN PERMISSION						