



Chipsmall Limited consists of a professional team with an average of over 10 year of expertise in the distribution of electronic components. Based in Hongkong, we have already established firm and mutual-benefit business relationships with customers from,Europe,America and south Asia,supplying obsolete and hard-to-find components to meet their specific needs.

With the principle of “Quality Parts,Customers Priority,Honest Operation,and Considerate Service”,our business mainly focus on the distribution of electronic components. Line cards we deal with include Microchip,ALPS,ROHM,Xilinx,Pulse,ON,Everlight and Freescale. Main products comprise IC,Modules,Potentiometer,IC Socket,Relay,Connector.Our parts cover such applications as commercial,industrial, and automotives areas.

We are looking forward to setting up business relationship with you and hope to provide you with the best service and solution. Let us make a better world for our industry!



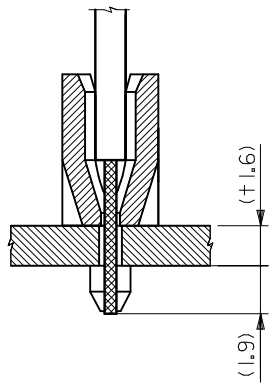
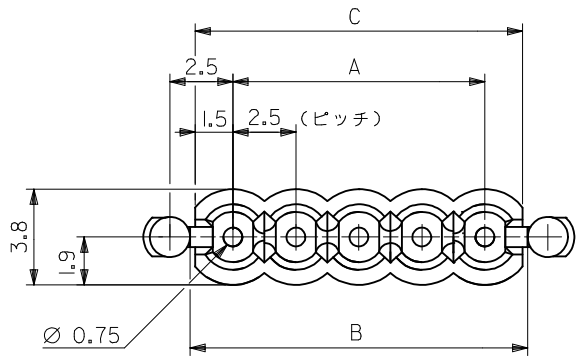
## Contact us

Tel: +86-755-8981 8866 Fax: +86-755-8427 6832

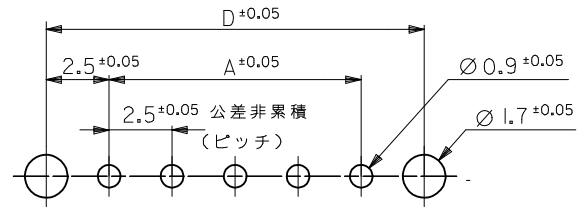
Email & Skype: info@chipsmall.com Web: www.chipsmall.com

Address: A1208, Overseas Decoration Building, #122 Zhenhua RD., Futian, Shenzhen, China

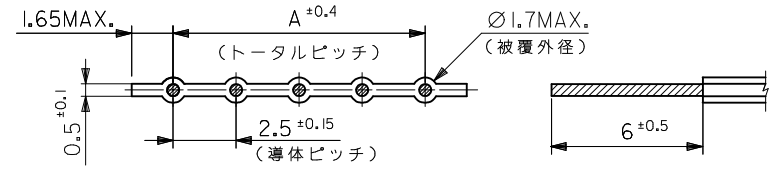




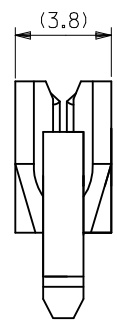
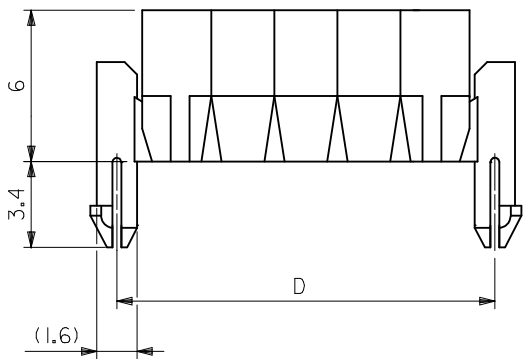
電線挿入図



基板取付穴推奨寸法  
( $t = 1.6 \pm 0.05$ )



適合電線推奨寸法

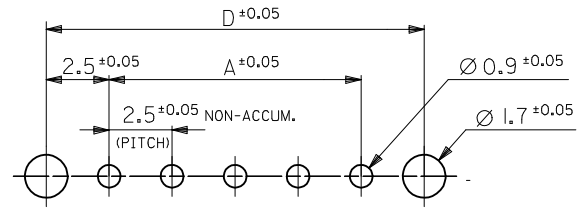
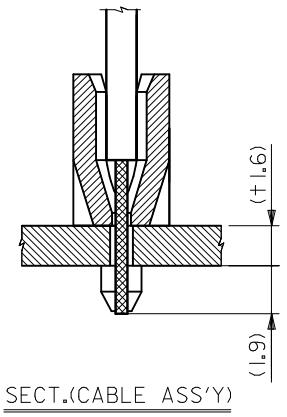
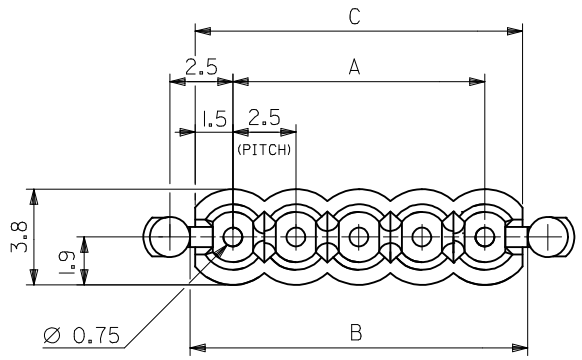


42.5	40.5	40.9	37.5	51052-1600	16
40.0	38.0	38.4	35.0	1500	15
37.5	35.5	35.9	32.5	1400	14
35.0	33.0	33.4	30.0	1300	13
32.5	30.5	30.9	27.5	1200	12
30.0	28.0	28.4	25.0	1100	11
27.5	25.5	25.9	22.5	1000	10
25.0	23.0	23.4	20.0	0900	9
22.5	20.5	20.9	17.5	0800	8
20.0	18.0	18.4	15.0	0700	7
17.5	15.5	15.9	12.5	0600	6
15.0	13.0	13.4	10.0	0500	5
12.5	10.5	10.9	7.5	0400	4
10.0	8.0	8.4	5.0	-0300	3
7.5	5.5	5.9	2.5	51052-0200	2
D	C	B	A	ENG. NO.	極数

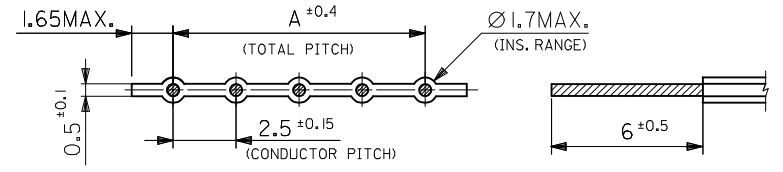
注記

1. 材料：ナイロン66, UL 94V-2
2. 適合電線：2.5mmピッチリボンケーブル  
AWG#24~26錫コート平行線
3. 生産国(トレードマーク)：日本(MXJ-大和, MXH-塩谷)  
マレーシア(MXL)
4. 適用電線被覆外形：φ1.7MAX.

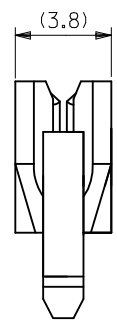
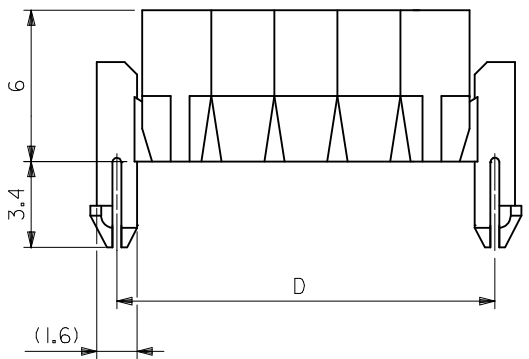
REVISED EC NO: J2014-0288 2013/09/04 DRWN:SSATO02 2013/09/04 CHKD:KASAKAWA 2013/09/04 APPR:NUKITA	DESCRIPTION REV	GENERAL TOLERANCES (UNLESS SPECIFIED)		DIMENSION STYLE MM ONLY		SCALE 5:1		DESIGN UNITS METRIC		THIRD ANGLE PROJECTION	
		10 UNDER	±0.2	DRAWN BY T. ITOH	DATE '97/7/4	TITLE 2.5MM PITCH CABLE HOLDER (FOR 6 MM STRIP LENGTH)					
		10 OVER 30 UNDER	±0.25	CHECKED BY M. FUKUSHIMA	DATE '97/7/4						
		30 OVER	±0.3	APPROVED BY NUKITA	DATE 2013/09/04						
ANGULAR ±3 °		DRAFT WHERE APPLICABLE MUST REMAIN WITHIN DIMENSIONS		MATERIAL NO. SEE CHART		SIZE A3		THIS DRAWING CONTAINS INFORMATION THAT IS PROPRIETARY TO MOLEX INCORPORATED AND SHOULD NOT BE USED WITHOUT WRITTEN PERMISSION			



RECOMMENDED P.C. BOARD HOLE DIM.  
( $t = 1.6 \pm 0.05$ )



RECOMMENDED WIRE DIM.

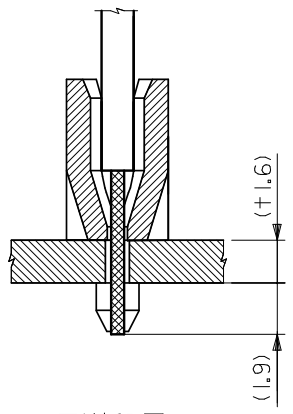
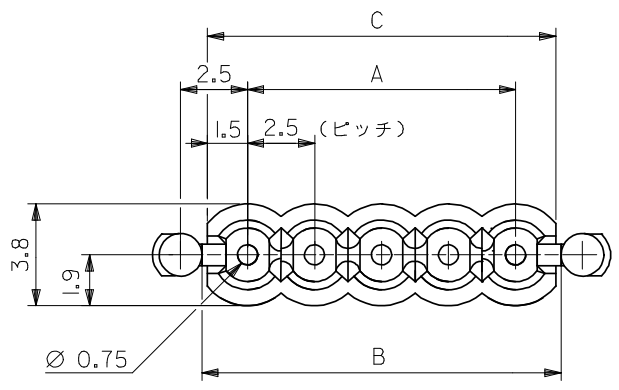


42.5	40.5	40.9	37.5	51052-1600	16
40.0	38.0	38.4	35.0	1500	15
37.5	35.5	35.9	32.5	1400	14
35.0	33.0	33.4	30.0	1300	13
32.5	30.5	30.9	27.5	1200	12
30.0	28.0	28.4	25.0	1100	11
27.5	25.5	25.9	22.5	1000	10
25.0	23.0	23.4	20.0	0900	9
22.5	20.5	20.9	17.5	0800	8
20.0	18.0	18.4	15.0	0700	7
17.5	15.5	15.9	12.5	0600	6
15.0	13.0	13.4	10.0	0500	5
12.5	10.5	10.9	7.5	0400	4
10.0	8.0	8.4	5.0	-0300	3
7.5	5.5	5.9	2.5	51052-0200	2
D	C	B	A	ENG. NO.	CKT.

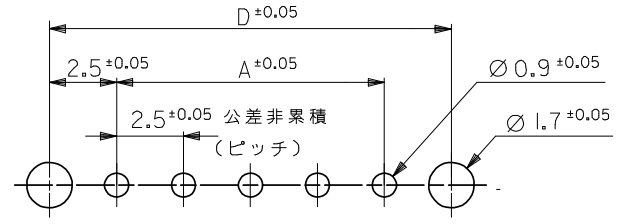
NOTES

- MATERIAL : NYLON 66, UL 94V-2
- APPLIED WIRE : 2.5mm PITCH RIBBON CABLE AWG#24~26 TIN TOP COATED WIRE
- PLACE OF MANUFACTURE (TRADE-MARK) : JAPAN (MXJ-YAMATO, MXH-SHIOYA) MALAYSIA (MXL)
- APPLICABLE WIRE INS. RANGE  $\phi 1.7$ MAX.

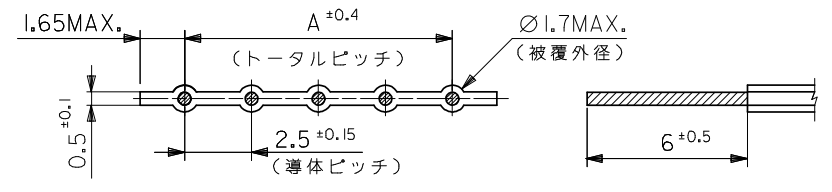
REVISED EC NO: J2014-0288 DRWN:SSATO02 CHKD:KASAKAWA APPR:NUKITA	DESCRIPTION 2013/09/04 2013/09/04 2013/09/04	GENERAL TOLERANCES (UNLESS SPECIFIED)		DIMENSION STYLE MM ONLY		SCALE 5:1		DESIGN UNITS METRIC		THIRD ANGLE PROJECTION	
		10 UNDER	$\pm 0.2$	DRAWN BY T. ITO		DATE '97/7/4		TITLE 2.5MM PITCH CABLE HOLDER (FOR 6MM STRIP LENGTH)			
		10 OVER 30 UNDER	$\pm 0.25$	CHECKED BY M. FUKUSHIMA		DATE '97/7/4					
		30 OVER	$\pm 0.3$	APPROVED BY NUKITA		DATE 2013/09/04		DOCUMENT NO. SD-51052-**-00		SHEET NO. 2 OF 2	
REV		ANGULAR $\pm 3^\circ$		MATERIAL NO. SEE CHART		SIZE A3		THIS DRAWING CONTAINS INFORMATION THAT IS PROPRIETARY TO MOLEX INCORPORATED AND SHOULD NOT BE USED WITHOUT WRITTEN PERMISSION			
		DRAFT WHERE APPLICABLE MUST REMAIN WITHIN DIMENSIONS									



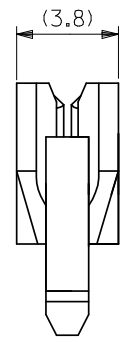
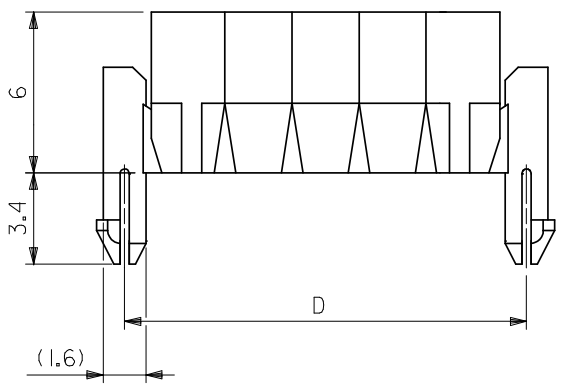
電線挿入図



基板取付穴推奨寸法  
(+1.6±0.05)



適合電線推奨寸法

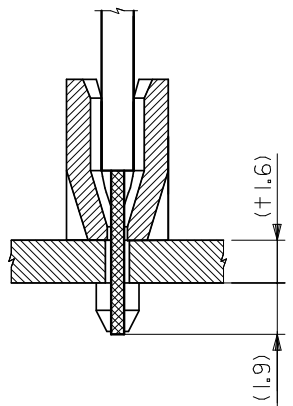
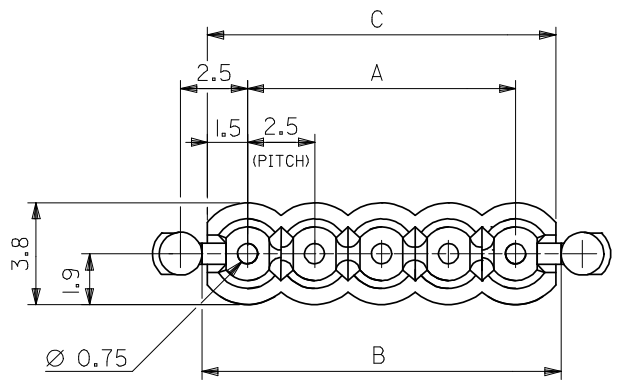


注記

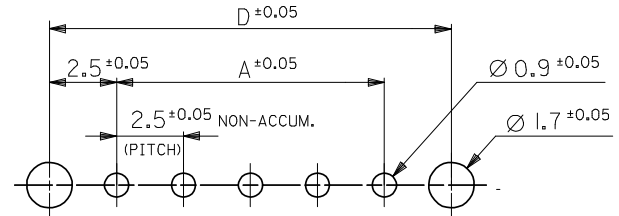
1. 材料：ナイロン66, UL 94V-2
2. 適合電線：2.5mmピッチリボンケーブル  
AWG #24 ~ 26 錫コート平行線
3. 生産国 (トレードマーク)：日本 (MXJ-大和, MXH-塩谷)  
マレーシア (MXL)

42.5	40.5	40.9	37.5	VO	<del>51052-1600</del>	16
40.0	38.0	38.4	35.0	VO	<del>1500</del>	15
37.5	35.5	35.9	32.5	VO	<del>1400</del>	14
35.0	33.0	33.4	30.0	VO	<del>1300</del>	13
32.5	30.5	30.9	27.5	VO	<del>1200</del>	12
30.0	28.0	28.4	25.0	VO	<del>1100</del>	11
27.5	25.5	25.9	22.5	VO	<del>1000</del>	10
25.0	23.0	23.4	20.0	VO	<del>0900</del>	9
22.5	20.5	20.9	17.5	VO	<del>0800</del>	8
20.0	18.0	18.4	15.0	VO	<del>0700</del>	7
17.5	15.5	15.9	12.5	VO	<del>0600</del>	6
15.0	13.0	13.4	10.0	VO	<del>0500</del>	5
12.5	10.5	10.9	7.5	VO	<del>0400</del>	4
10.0	8.0	8.4	5.0		<del>-0300</del>	3
7.5	5.5	5.9	2.5	VO	<del>51052-0200</del>	2
D	C	B	A		ENG. NO.	極数

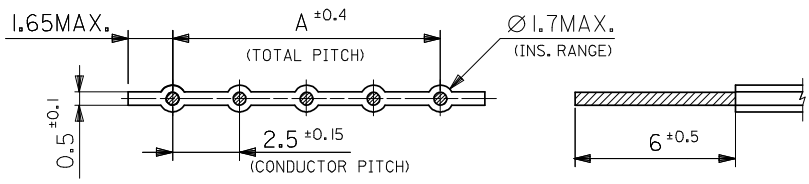
REVISED EC NO: J2008-2948 DRW: NAKAMURAA 2008/03/31 CHK: T. HARUYAMA 2008/04/22 APPR: NUKITA 2008/06/03	GENERAL TOLERANCES (UNLESS SPECIFIED)		DIMENSION STYLE MM ONLY		SCALE 5:1	DESIGN UNITS METRIC	THIRD ANGLE PROJECTION
	10 UNDER	±0.2	DRAWN BY T. ITOH	DATE	TITLE 2.5MM PITCH CABLE HOLDER (FOR 6 MM STRIP LENGTH)		
	10 OVER 30 UNDER	±0.25	CHECKED BY M. FUKUSHIMA	DATE '97/7/4	APPROVED BY M. FUKUSHIMA		
	30 OVER	±0.3	APPROVED BY M. FUKUSHIMA	DATE '97/7/4	MATERIAL NO. SD-51052-001		
	ANGULAR	±3°	SEE TABLE		DOCUMENT NO.		
DRAFT WHERE APPLICABLE MUST REMAIN WITHIN DIMENSIONS		SIZE A3		THIS DRAWING CONTAINS INFORMATION THAT IS PROPRIETARY TO MOLEX INCORPORATED AND SHOULD NOT BE USED WITHOUT WRITTEN PERMISSION			SHEET NO. 1 OF 2



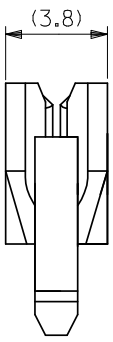
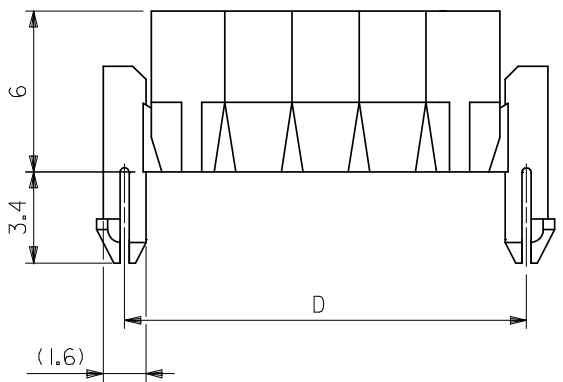
SECT.(CABLE ASS'Y)



RECOMMENDED P.C. BOARD HOLE DIM.  
( $\pm 1.6 \pm 0.05$ )



RECOMMENDED WIRE DIM.



NOTES

- MATERIAL : NYLON 66, UL 94V-2
- APPLIED WIRE : 2.5mm PITCH RIBBON CABLE  
AWG#24~26  
TIN TOP COATED WIRE
- PLACE OF MANUFACTURE (TRADE-MARK) :  
JAPAN (MXJ-YAMATO, MXH-SHIOYA)  
MALAYSIA (MXL)

42.5	40.5	40.9	37.5	VO	<del>51052-1600</del>	16
40.0	38.0	38.4	35.0	VO	<del>1500</del>	15
37.5	35.5	35.9	32.5	VO	<del>1400</del>	14
35.0	33.0	33.4	30.0	VO	<del>1300</del>	13
32.5	30.5	30.9	27.5	VO	<del>1200</del>	12
30.0	28.0	28.4	25.0	VO	<del>1100</del>	11
27.5	25.5	25.9	22.5	VO	<del>1000</del>	10
25.0	23.0	23.4	20.0	VO	<del>0900</del>	9
22.5	20.5	20.9	17.5	VO	<del>0800</del>	8
20.0	18.0	18.4	15.0	VO	<del>0700</del>	7
17.5	15.5	15.9	12.5	VO	<del>0600</del>	6
15.0	13.0	13.4	10.0	VO	<del>0500</del>	5
12.5	10.5	10.9	7.5	VO	<del>0400</del>	4
10.0	8.0	8.4	5.0		<del>-0300</del>	3
7.5	5.5	5.9	2.5	VO	<del>51052-0200</del>	2
D	C	B	A		ENG. NO.	CKT.

REVISED EC NO: J2008-2948 DRW: NAKAMURAA 2008/03/31 CHKD: T. HARUYAMA 2008/04/22 APPR: NUKITA 2008/06/03	GENERAL TOLERANCES (UNLESS SPECIFIED)		DIMENSION STYLE MM ONLY		SCALE 5:1	DESIGN UNITS METRIC	THIRD ANGLE PROJECTION	
	10 UNDER	$\pm 0.2$	DRAWN BY T. ITOH		TITLE 2.5MM PITCH CABLE HOLDER (FOR 6MM STRIP LENGTH)			
	10 OVER 30 UNDER	$\pm 0.25$	CHECKED BY M. FUKUSHIMA		DATE '97/7/4			
	30 OVER	$\pm 0.3$	APPROVED BY M. FUKUSHIMA		DATE '97/7/4			
	ANGULAR $\pm 3^\circ$		DRAFT WHERE APPLICABLE MUST REMAIN WITHIN DIMENSIONS		MATERIAL NO. SEE TABLE		DOCUMENT NO. SD-51052-001	