



Chipsmall Limited consists of a professional team with an average of over 10 year of expertise in the distribution of electronic components. Based in Hongkong, we have already established firm and mutual-benefit business relationships with customers from,Europe,America and south Asia,supplying obsolete and hard-to-find components to meet their specific needs.

With the principle of "Quality Parts,Customers Priority,Honest Operation,and Considerate Service",our business mainly focus on the distribution of electronic components. Line cards we deal with include Microchip,ALPS,ROHM,Xilinx,Pulse,ON,Everlight and Freescale. Main products comprise IC,Modules,Potentiometer,IC Socket,Relay,Connector.Our parts cover such applications as commercial,industrial, and automotives areas.

We are looking forward to setting up business relationship with you and hope to provide you with the best service and solution. Let us make a better world for our industry!



Contact us

Tel: +86-755-8981 8866 Fax: +86-755-8427 6832

Email & Skype: info@chipsmall.com Web: www.chipsmall.com

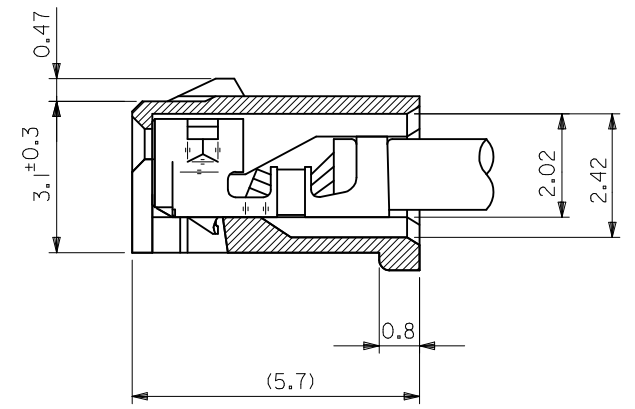
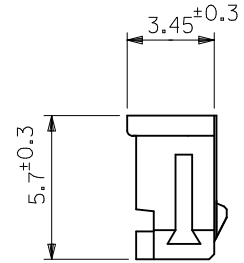
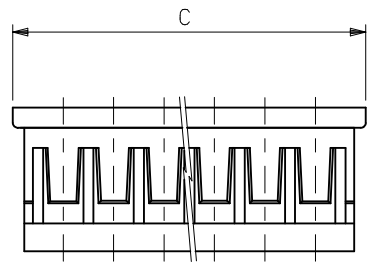
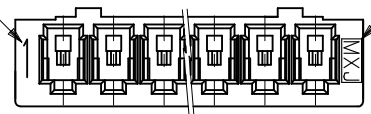
Address: A1208, Overseas Decoration Building, #122 Zhenhua RD., Futian, Shenzhen, China



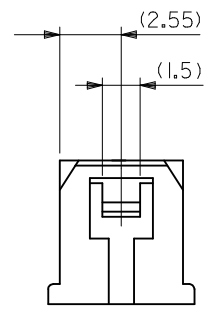
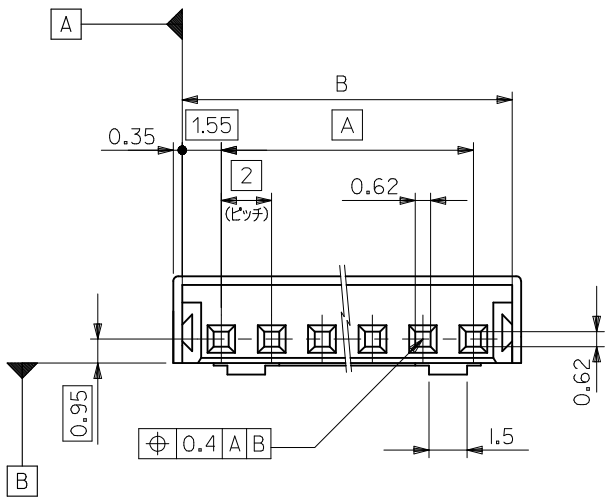
10 9 8 7 6 5 4 3 2 1

回路番号
CIRCUIT NO.

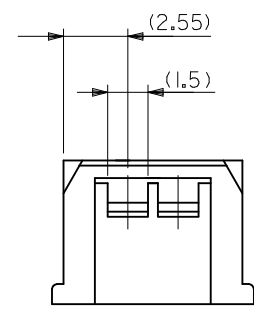
⑤
トレードマーク
TRADE MARK



ターミナル装着状態図
TERMINAL ASSEMBLY DRAWING
(10:1)



2極の場合
IN CASE OF
2 CIRCUIT HSG.



3極の場合
IN CASE OF
3 CIRCUIT HSG.

31.8	31.1	28	51065-150*	15
29.8	29.1	26	-140*	14
27.8	27.1	24	-130*	13
25.8	25.1	22	-120*	12
23.8	23.1	20	-110*	11
21.8	21.1	18	-100*	10
19.8	19.1	16	-090*	9
17.8	17.1	14	-080*	8
15.8	15.1	12	-070*	7
13.8	13.1	10	-060*	6
11.8	11.1	8	-050*	5
9.8	9.1	6	-040*	4
7.8	7.1	4	-030*	3
5.8	5.1	2	51065-020*	2
C	B	A	PLASTIC BAG	極数
			オーダー番号 ORDER NO.	CIRCUITS

CONNECTOR SERIES NO. 51065-***0*

REVISED EC NO: J2014-0578 DRWN: YWAKE 2013/09/27 CHKD: KASAKAWA 2013/09/27 APPR: NUKITA 2013/10/02	GENERAL TOLERANCES (UNLESS SPECIFIED)		DIMENSION STYLE MM ONLY	SCALE 5:1	DESIGN UNITS METRIC	THIRD ANGLE PROJECTION
	10 UNDER	±0.2	DRAWN BY S. AIHARA	DATE '89/09/21	TITLE NEW 2.0 WIRE TO BOARD CONN RECEPTACLE HOUSING	
	10 OVER 30 UNDER	±0.25	CHECKED BY M. FUKUSHIMA	DATE '90/01/18		
	30 OVER	±0.3	APPROVED BY M. ENOMOTO	DATE '90/01/18		
REV	DESCRIPTION	ANGULAR ±3 °	MATERIAL NO.	DOCUMENT NO.	SHEET NO.	
		DRAFT WHERE APPLICABLE MUST REMAIN WITHIN DIMENSIONS	SIZE A3	SEE CHART	SD-51065-004	1 OF 2
THIS DRAWING CONTAINS INFORMATION THAT IS PROPRIETARY TO MOLEX INCORPORATED AND SHOULD NOT BE USED WITHOUT WRITTEN PERMISSION						

9 8 7 6 5 4 3 2

注 記 NOTES

- 適合ターミナル : 50212 , 50372 シリーズ
APPLICABLE TERMINAL : 50212 , 50372 SERIES
- 嵌合相手 : 53253 , 53254 シリーズ
MATE WITH : 53253 , 53254 SERIES
- 材質 : PBT , UL94V-0
MATERIAL : PBT , UL94V-0

△ オーダー番号 ORDER NO.

51065-***0*

極数
CIRCUIT SIZE

色番号
COLOR CODE

0	自然色 (白) NATURAL (WHITE)
1	黒 BLACK
2	赤 RED
3	黄 YELLOW
4	青 BLUE
6	緑 GREEN

△

トレードマーク :M プラス 1~2 文字の製造工場を示すアルファベットにて構成。但し、"J"は JAPAN を示す。(例 MXJ)
FORMED BY M AND FROM 1 TO 2 MORE LETTER OF ALPHABET WHICH MEAN THE MANUFACTORY.
BUT "J" MEANS JAPAN. (TO TRADE MARK) (e.g. MXJ).

31.8	31.1	28					51065-1501	51065-1500	15	
29.8	29.1	26					51065-1401	51065-1400	14	
27.8	27.1	24					51065-1301	51065-1300	13	
25.8	25.1	22						51065-1200	12	
23.8	23.1	20						51065-1100	11	
21.8	21.1	18						51065-1000	10	
19.8	19.1	16						51065-0900	9	
17.8	17.1	14						51065-0800	8	
15.8	15.1	12			51065-0704			51065-0700	7	
13.8	13.1	10				51065-0603	51065-0602	51065-0600	6	
11.8	11.1	8						51065-0500	5	
9.8	9.1	6				51065-0403	51065-0402	51065-0400	4	
7.8	7.1	4			51065-0304		51065-0302	51065-0301	51065-0300	3
5.8	5.1	2	51065-0206	51065-0204	51065-0203	51065-0202	51065-0201	51065-0200	2	
C	B	A	GREEN	BLUE	YELLOW	RED	BLACK	NATURAL	極数	

△ オーダー番号 ORDER NO.

CIRCUITS

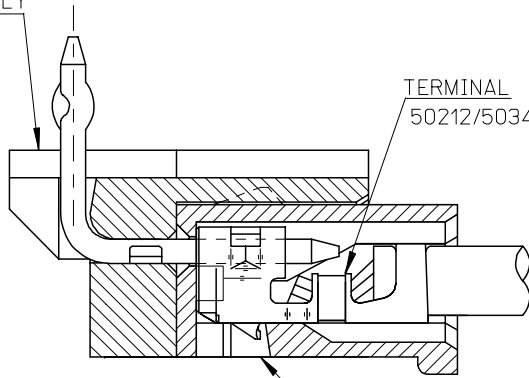
CONNECTOR SERIES NO. 51065-***0*

REVISED EC NO.: J2014-0578 DRWN: YMAKE 2013/09/27 CHKD: KASAKAWA 2013/09/27 APPR: NUKITA 2013/10/02	GENERAL TOLERANCES (UNLESS SPECIFIED)		DIMENSION STYLE MM ONLY		SCALE 5:1	DESIGN UNITS METRIC	THIRD ANGLE PROJECTION
	10 UNDER	± 0.2	DRAWN BY S. AIHARA	DATE '89/09/21	TITLE NEW 2.0 WIRE TO BOARD CONN RECEPTACLE HOUSING		
	10 OVER 30 UNDER	± 0.25	CHECKED BY M. FUKUSHIMA	DATE '90/01/18	molex		
	30 OVER	± 0.3	APPROVED BY M. ENOMOTO	DATE '90/01/18			
	ANGULAR	± 3 °	MATERIAL NO. SEE CHART		DOCUMENT NO. SD-51065-004	SHEET NO. 2 OF 2	
DRAFT WHERE APPLICABLE MUST REMAIN WITHIN DIMENSIONS		SIZE A3	THIS DRAWING CONTAINS INFORMATION THAT IS PROPRIETARY TO MOLEX INCORPORATED AND SHOULD NOT BE USED WITHOUT WRITTEN PERMISSION				

10 9 8 7 6 5 4 3 2 1

F

HEADER HOUSING ASSEMBLY
53254SERIES

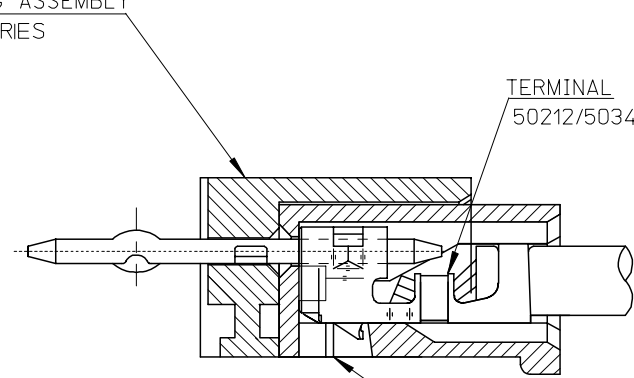


TERMINAL
50212/50346 SERIES

RECEPTACLE HOUSING
51065 SERIES

51065シリーズ/53254シリーズ 嵌合状態図 参考
51065 SERIES/53254 SERIES MATED DRAWING (REF.)

HEADER HOUSING ASSEMBLY
53253SERIES



TERMINAL
50212/50346 SERIES

RECEPTACLE HOUSING
51065 SERIES

51065シリーズ/53253シリーズ 嵌合状態図 参考
51065 SERIES/53253 SERIES MATED DRAWING (REF.)

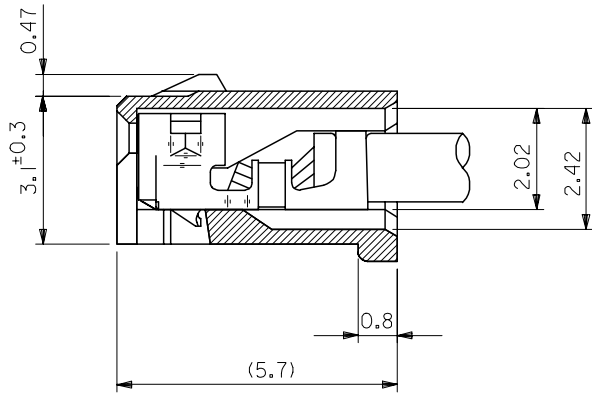
E

D

C

B

A



ターミナル装着状態図
TERMINAL ASS'Y DWG.

RELEASED EC NO: J2008-2041 DRWN: AOYAGI 2007/11/21 CHKD: THARUYAMA 2007/11/22 APPR: NUKITA 2007/11/22	GENERAL TOLERANCES (UNLESS SPECIFIED)		DIMENSION STYLE MM ONLY	SCALE 10:1	DESIGN UNITS METRIC	THIRD ANGLE PROJECTION
	10 UNDER	±0.2	DRAWN BY Y. AOYAGI	DATE 2007/11/13	TITLE NEW 2.0 W/B CONN. 51065/53253OR51065/53254	
	10 OVER 30 UNDER	±0.25	CHECKED BY N. UKITA	DATE 2007/11/13	MOLEX INCORPORATED	
	30 OVER	±0.3	APPROVED BY N. UKITA	DATE 2007/11/13	DOCUMENT NO. SD-51065-006	SHEET NO. 1 OF 1
	ANGULAR	±1 °	MATERIAL NO. SEE TABLE			
0	DRAFT WHERE APPLICABLE MUST REMAIN WITHIN DIMENSIONS		SIZE A3	THIS DRAWING CONTAINS INFORMATION THAT IS PROPRIETARY TO MOLEX INCORPORATED AND SHOULD NOT BE USED WITHOUT WRITTEN PERMISSION		