



Chipsmall Limited consists of a professional team with an average of over 10 year of expertise in the distribution of electronic components. Based in Hongkong, we have already established firm and mutual-benefit business relationships with customers from,Europe,America and south Asia,supplying obsolete and hard-to-find components to meet their specific needs.

With the principle of “Quality Parts,Customers Priority,Honest Operation,and Considerate Service”,our business mainly focus on the distribution of electronic components. Line cards we deal with include Microchip,ALPS,ROHM,Xilinx,Pulse,ON,Everlight and Freescale. Main products comprise IC,Modules,Potentiometer,IC Socket,Relay,Connector.Our parts cover such applications as commercial,industrial, and automotives areas.

We are looking forward to setting up business relationship with you and hope to provide you with the best service and solution. Let us make a better world for our industry!



Contact us

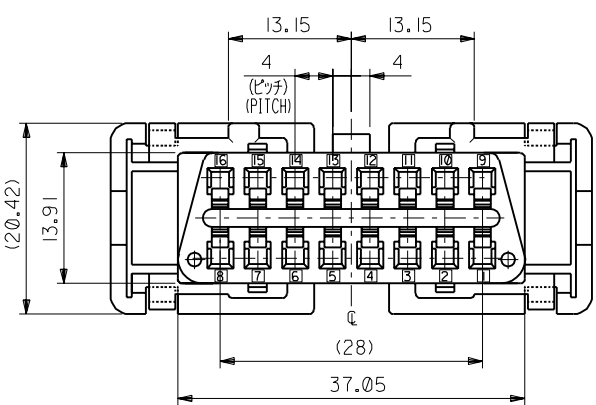
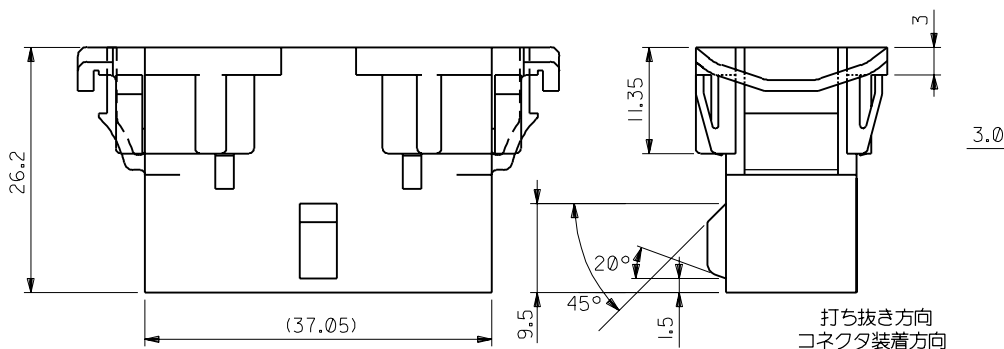
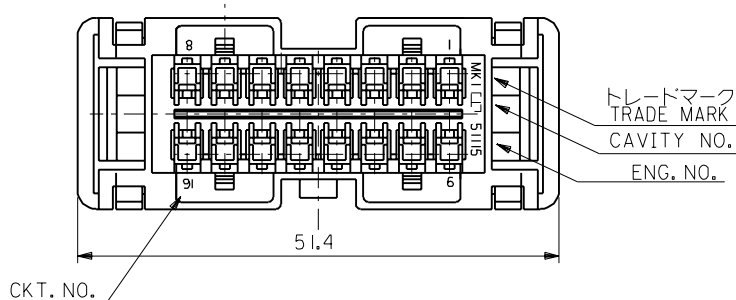
Tel: +86-755-8981 8866 Fax: +86-755-8427 6832

Email & Skype: info@chipsmall.com Web: www.chipsmall.com

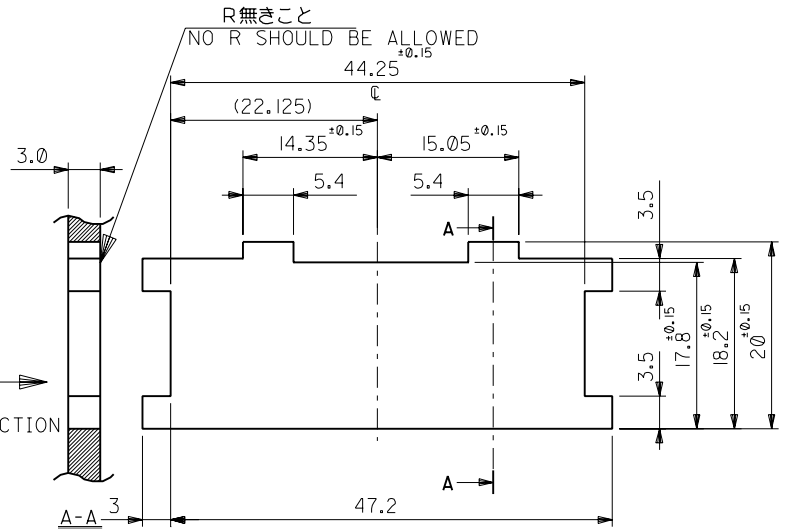
Address: A1208, Overseas Decoration Building, #122 Zhenhua RD., Futian, Shenzhen, China



DWG. NO. SD-51115-***0*



- 注記
NOTES
- 適合ターミナル: 50420-8*00
APPLICABLE TERMINAL: 50420-8*00
 - 適合リテーナ: 51117-1605
APPLICABLE RETAINER: 51117-1605



参考/パネルスロット寸法
PANEL SLOT DIM.(REF.)
(パネル厚: 3.0)
(THICKNESS: 3.0)

51115-1601	16
ENG. NO.	NO. OF CKT.

材料 MATERIAL	PBTP,UL94V-0 (黒色 BLACK)	
仕上げ FINISH	—	
適用電線範囲 WIRE RANGE	—	
被覆外径 INS. RANGE	—	
DRAWN BY '94/3/3	CHK'D BY '94/3/4	
K.FURUYAMA	M.SANO M.SAKANO	
'94/3/2		
APP'D BY '94/3/4	尺度	
M.ENOMOTO	SCALE 2:1	

角度 ANGLE	±3°
30以上 OVER	+0.3
10以上 30未満 OVER UNDER	+0.25
10未満 UNDER	+0.2

記号 LTR	変更内容 REVISION RECORD	DR.	日付 DATE
A	変更 (JA90087)	H.T.	'99/2/5
0	新規作成 (JA5066)	K.F.	'94/3/2

molex MOLEX-JAPAN CO.,LTD.
日本モレックス株式会社

REVISE ONLY ON CAD SYSTEM

TITLE 名称
4.0 WIRE TO WIRE CONN.REC.HOUSING
WITH MOUNTING EARS
(SAE J1962 DIAGNOSTIC CONNECTOR)

DWG. NO. SD-51115-***0*

REV A