



Chipsmall Limited consists of a professional team with an average of over 10 year of expertise in the distribution of electronic components. Based in Hongkong, we have already established firm and mutual-benefit business relationships with customers from,Europe,America and south Asia,supplying obsolete and hard-to-find components to meet their specific needs.

With the principle of “Quality Parts,Customers Priority,Honest Operation,and Considerate Service”,our business mainly focus on the distribution of electronic components. Line cards we deal with include Microchip,ALPS,ROHM,Xilinx,Pulse,ON,Everlight and Freescale. Main products comprise IC,Modules,Potentiometer,IC Socket,Relay,Connector.Our parts cover such applications as commercial,industrial, and automotives areas.

We are looking forward to setting up business relationship with you and hope to provide you with the best service and solution. Let us make a better world for our industry!



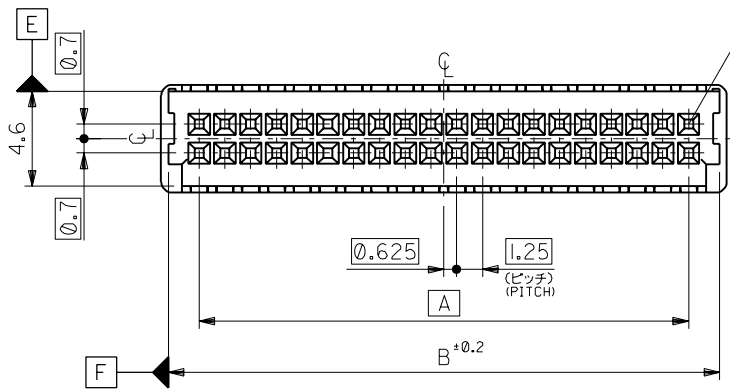
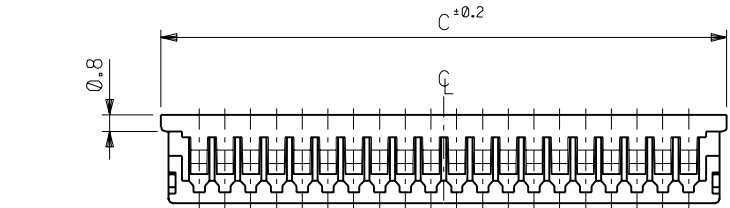
Contact us

Tel: +86-755-8981 8866 Fax: +86-755-8427 6832

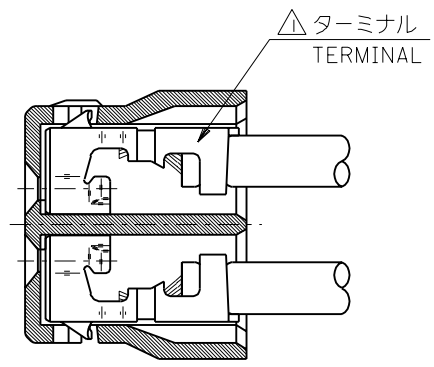
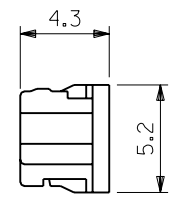
Email & Skype: info@chipsmall.com Web: www.chipsmall.com

Address: A1208, Overseas Decoration Building, #122 Zhenhua RD., Futian, Shenzhen, China





⊕ ∅ 0.4 E F

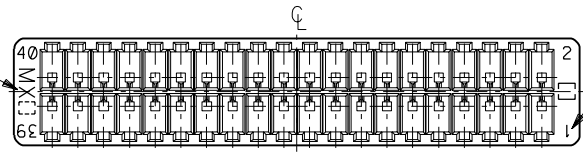


ターミナル装着状態図
TERMINAL ASSEMBLY DRAWING
(SCALE 10:1)

注記 NOTES

- △ 適合ターミナル : 50516 シリーズ
APPLICABLE TERMINAL : 50516 SERIES
- 2. 嵌合相手 : 53505 シリーズ
MATE WITH : 53505 SERIES

トレードマーク
TRADE MARK



回路番号
CIRCUIT NO.

27.45	26.75	23.75	51127-4005	40
21.2	20.5	17.5	51127-3005	30
14.95	14.25	11.25	51127-2005	20
C	B	A	ENG.NO.	CKT. 極数

				材料 MATERIAL PBTP, UL94V-0 (COLOR : GRAY)	molex MOLEX-JAPAN CO.,LTD. 日本モレックス株式会社
				仕上げ FINISH —	
角度 ANGLE	±3°	C	変更 REVISED (J50243)	M.F.S.M.	'95/4/3
30以上 OVER	+0.3	B	変更 REVISED (J40641)	M.F.S.M.	'94/8/3
10以上 30未満 OVER 30 UNDER	+0.25	A	変更 REVISED (J40544)	M.F.S.M.	'94/7/11
10未満 UNDER	+0.2	0	新規作成 RELEASED (J40269)	n.h.H.H.	'94/4/5
一般公差 GENERAL TOLERANCES		記号 LTR	変更内容 REVISION RECORD	DR. CHK.	日付 DATE
				適用電線範囲 WIRE RANGE —	DRAWN BY '94/4/4 H.HASEGAWA CHK'D BY '95/4/3 M.SETO/S.KUNISHI
				被覆外径 INS. RANGE —	
				尺度 SCALE 4 : 1	DWG. NO. SD-51127-**-05
					REV C