



Chipsmall Limited consists of a professional team with an average of over 10 year of expertise in the distribution of electronic components. Based in Hongkong, we have already established firm and mutual-benefit business relationships with customers from,Europe,America and south Asia,supplying obsolete and hard-to-find components to meet their specific needs.

With the principle of “Quality Parts,Customers Priority,Honest Operation,and Considerate Service”,our business mainly focus on the distribution of electronic components. Line cards we deal with include Microchip,ALPS,ROHM,Xilinx,Pulse,ON,Everlight and Freescale. Main products comprise IC,Modules,Potentiometer,IC Socket,Relay,Connector.Our parts cover such applications as commercial,industrial, and automotives areas.

We are looking forward to setting up business relationship with you and hope to provide you with the best service and solution. Let us make a better world for our industry!



Contact us

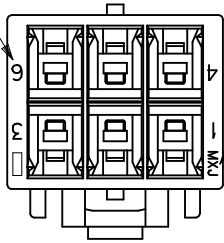
Tel: +86-755-8981 8866 Fax: +86-755-8427 6832

Email & Skype: info@chipsmall.com Web: www.chipsmall.com

Address: A1208, Overseas Decoration Building, #122 Zhenhua RD., Futian, Shenzhen, China

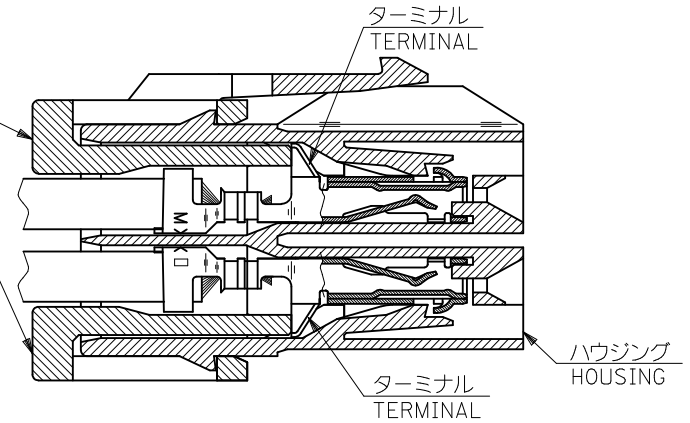


回路番号
CKT.NO.

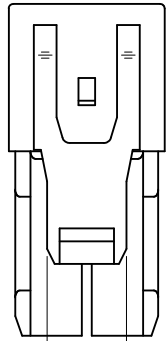


トレードマーク
TRADE MARK

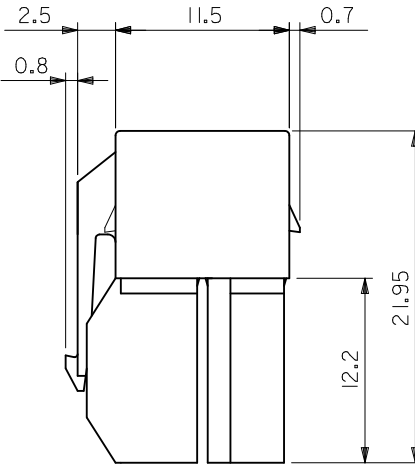
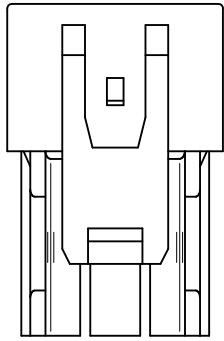
リテーナー
RETAINER



ターミナル及びリテーナー装着状態図
TERMINAL & RETAINER ASSEMBLY DRAWING.



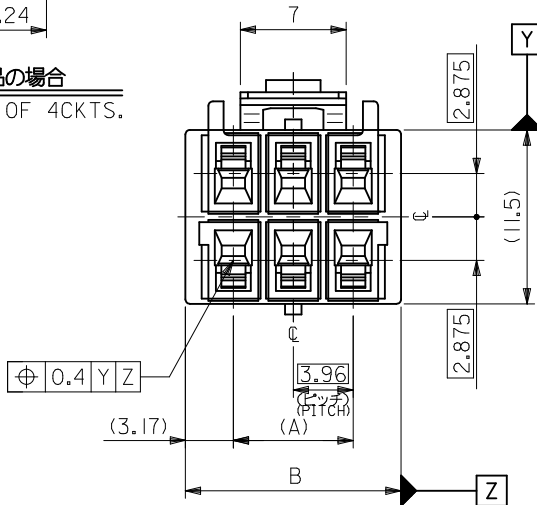
5.24



注記 NOTE

- 適合ターミナル : 50597,50598 シリーズ
APPLICABLE TERMINAL : 50597,50598 SERIES.
- 適合リテーナー : 51140 シリーズ
APPLICABLE RETAINER : 51140 SERIES.
- 嵌合相手 : 53720,53727,51139(6極)シリーズ
MATE WITH : 53720,53727,51139(6p) SERIES.

4極品の場合
IN CASE OF 4CKTS.

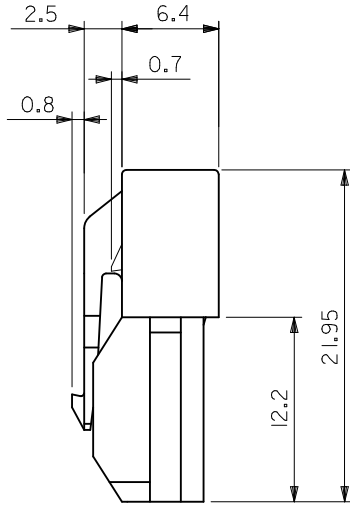
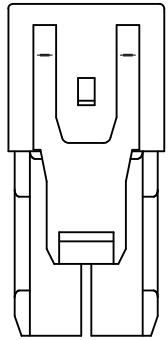
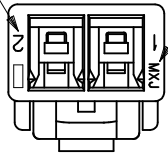


| | | | |
|-------|------|------------|-------------------|
| 14.26 | 7.92 | 51138-0600 | 6 |
| B | A | ENG. NO. | 極数 NO. OF CKT. |

| | | | | | | |
|---|--|-------|-----------------------------|---|------------------------------------|------------------------|
| REVISED EC NO: J2011-1755 DRWN:KAWABATA 2011/06/27 CHKD:THARUYAMA 2011/06/27 APPR:HIRATA 2011/06/28 | GENERAL TOLERANCES (UNLESS SPECIFIED) | | DIMENSION STYLE MM ONLY | SCALE --- | DESIGN UNITS METRIC | THIRD ANGLE PROJECTION |
| | 10 UNDER | ±0.2 | DRAWN BY H. HASEGAWA | DATE '95/12/15 | TITLE 3.96 W/W & W/B REC HSG | |
| | 10 OVER 30 UNDER | ±0.25 | CHECKED BY S. KUNISHI | DATE '98/04/14 | MOLEX INCORPORATED | |
| | 30 OVER | ±0.3 | APPROVED BY M. FUKUSHIMA | DATE '98/04/14 | DOCUMENT NO. SD-51138-001 | SHEET NO. 1 OF 2 |
| ANGULAR ±3 ° | DRAFT WHERE APPLICABLE MUST REMAIN WITHIN DIMENSIONS | | SIZE A3 | THIS DRAWING CONTAINS INFORMATION THAT IS PROPRIETARY TO MOLEX INCORPORATED AND SHOULD NOT BE USED WITHOUT WRITTEN PERMISSION | | |

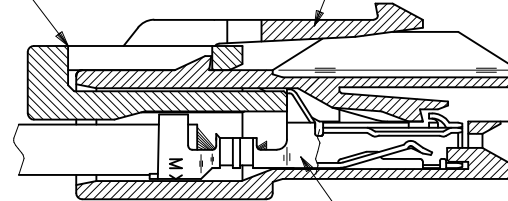
回路番号
CKT.NO.

トレードマーク
TRADE MARK



リテーナー
RETAINER

ハウジング
HOUSING



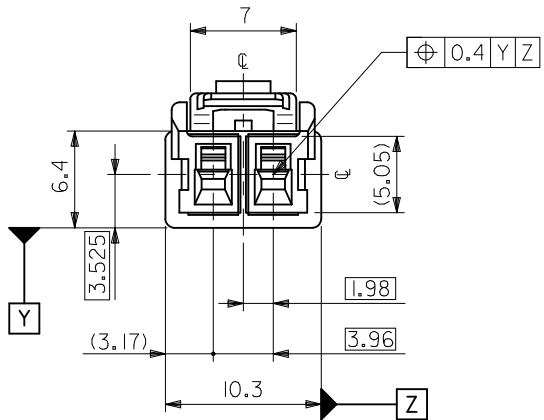
ターミナル
TERMINAL

ターミナル及びリテーナー装着状態図
TERMINAL & RETAINER ASSEMBLY DRAWING.

注記 NOTE

- 適合ターミナル : 50597,50598 シリーズ
APPLICABLE TERMINAL : 50597,50598 SERIES.
- 適合リテーナー : 51140 シリーズ
APPLICABLE RETAINER : 51140 SERIES.
- 嵌合相手 : 51139 シリーズ
MATE WITH : 51139 SERIES.

2極に適用
FOR 2 CKTS.



| | |
|------------|-------------------|
| 51138-0200 | 2 |
| ENG. NO. | 極数 NO. OF CKT. |

| | | | | | | |
|--|---------------------------------------|--|-----------------------------|---|--|------------------------------|
| REVISED EC NO: J2011-1755 DRWN: KAWABATA 2011/06/27 CHKD: THARUYAMA 2011/06/27 APPR: HIRATA 2011/06/28 | GENERAL TOLERANCES (UNLESS SPECIFIED) | | DIMENSION STYLE MM ONLY | SCALE --- | DESIGN UNITS METRIC | THIRD ANGLE PROJECTION |
| | 10 UNDER | ±0.2 | DRAWN BY T. ASAKAWA | DATE '97/03/27 | TITLE 3.96 W/W & W/B REC HSG SHEET 2 OF 2 | |
| | 10 OVER 30 UNDER | ±0.25 | CHECKED BY S. KUNISHI | DATE '97/03/27 | MOLEX INCORPORATED | |
| | 30 OVER | ±0.3 | APPROVED BY M. FUKUSHIMA | DATE '97/03/27 | MATERIAL NO. SEE TABLE | DOCUMENT NO. SD-51138-001 |
| | ANGULAR ±3 ° | DRAFT WHERE APPLICABLE MUST REMAIN WITHIN DIMENSIONS | SIZE A3 | THIS DRAWING CONTAINS INFORMATION THAT IS PROPRIETARY TO MOLEX INCORPORATED AND SHOULD NOT BE USED WITHOUT WRITTEN PERMISSION | | |