



Chipsmall Limited consists of a professional team with an average of over 10 year of expertise in the distribution of electronic components. Based in Hongkong, we have already established firm and mutual-benefit business relationships with customers from,Europe,America and south Asia,supplying obsolete and hard-to-find components to meet their specific needs.

With the principle of “Quality Parts,Customers Priority,Honest Operation,and Considerate Service”,our business mainly focus on the distribution of electronic components. Line cards we deal with include Microchip,ALPS,ROHM,Xilinx,Pulse,ON,Everlight and Freescale. Main products comprise IC,Modules,Potentiometer,IC Socket,Relay,Connector.Our parts cover such applications as commercial,industrial, and automotives areas.

We are looking forward to setting up business relationship with you and hope to provide you with the best service and solution. Let us make a better world for our industry!



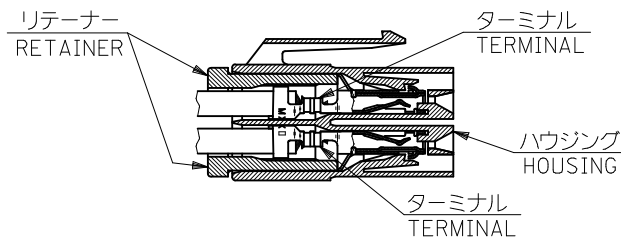
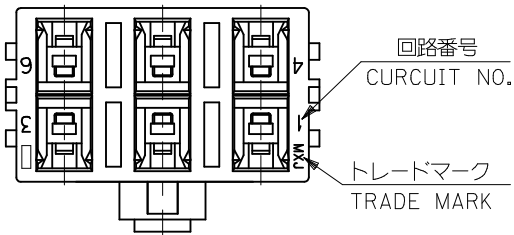
## Contact us

Tel: +86-755-8981 8866 Fax: +86-755-8427 6832

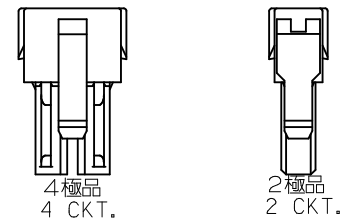
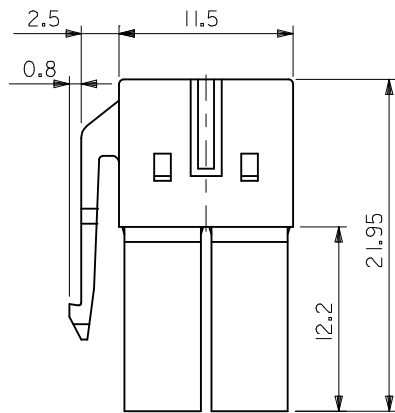
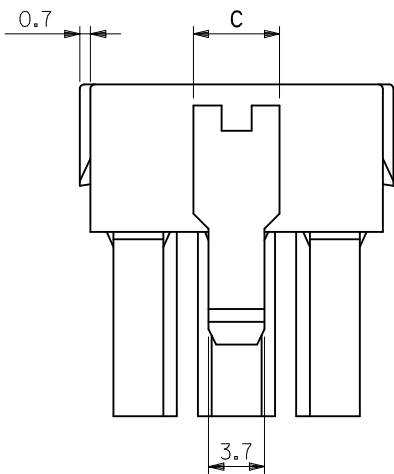
Email & Skype: info@chipsmall.com Web: www.chipsmall.com

Address: A1208, Overseas Decoration Building, #122 Zhenhua RD., Futian, Shenzhen, China





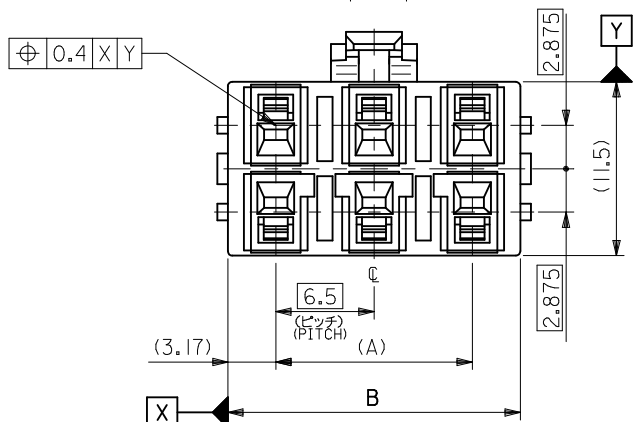
ターミナル及びリテーナー装着状態図  
TERMINAL & RETAINER ASSEMBLY DRAWING



ロック形状図  
LOCK CONFIGURATION

注記  
NOTES

- 適合ターミナル : 50597, 50598  
APPLICABLE TERMINAL : 50597 , 50598
- 適合リテーナー : 51143  
APPLICABLE RETAINER : 51143
- 嵌合相手 : 53721,53728 シリーズ  
MATE WITH : 53721,53728 SERIES



MATERIAL  
PBTP, UL94V-0  
(色 : 自然色)  
(COLOR : NATURAL)

REVISED EC NO: J2013-0477 2012/10/24 DRWN:NITO CHKD:KASAKAWA 2012/10/24 APPR:YOITO 2012/10/24 REV A	GENERAL TOLERANCES (UNLESS SPECIFIED)		DIMENSION STYLE MM ONLY		SCALE ---	DESIGN UNITS METRIC	THIRD ANGLE PROJECTION
	10 UNDER	±0.2	DRAWN BY NITO	DATE 2012/10/24	TITLE 6.5 WIRE TO BOARD CONN. RECEPTACLE HOUSING		
	10 OVER 30 UNDER	±0.25	CHECKED BY KASAKAWA	DATE 2012/10/24			
	30 OVER	±0.3	APPROVED BY YOITO	DATE 2012/10/24			
ANGULAR ±3 ° DRAFT WHERE APPLICABLE MUST REMAIN WITHIN DIMENSIONS		MATERIAL NO. SEE CHART		DOCUMENT NO. SD-51142-002	SHEET NO. 1 OF 1		
SIZE A3 THIS DRAWING CONTAINS INFORMATION THAT IS PROPRIETARY TO MOLEX INCORPORATED AND SHOULD NOT BE USED WITHOUT WRITTEN PERMISSION							

5.7	19.34	13	51142-0600	6
3.7	12.84	6.5	51142-0400	4
5.7	6.34	—	51142-0200	2
C	B	A	ENG. NO.	極数 CKT.