



Chipsmall Limited consists of a professional team with an average of over 10 year of expertise in the distribution of electronic components. Based in Hongkong, we have already established firm and mutual-benefit business relationships with customers from,Europe,America and south Asia,supplying obsolete and hard-to-find components to meet their specific needs.

With the principle of “Quality Parts,Customers Priority,Honest Operation,and Considerate Service”,our business mainly focus on the distribution of electronic components. Line cards we deal with include Microchip,ALPS,ROHM,Xilinx,Pulse,ON,Everlight and Freescale. Main products comprise IC,Modules,Potentiometer,IC Socket,Relay,Connector.Our parts cover such applications as commercial,industrial, and automotives areas.

We are looking forward to setting up business relationship with you and hope to provide you with the best service and solution. Let us make a better world for our industry!



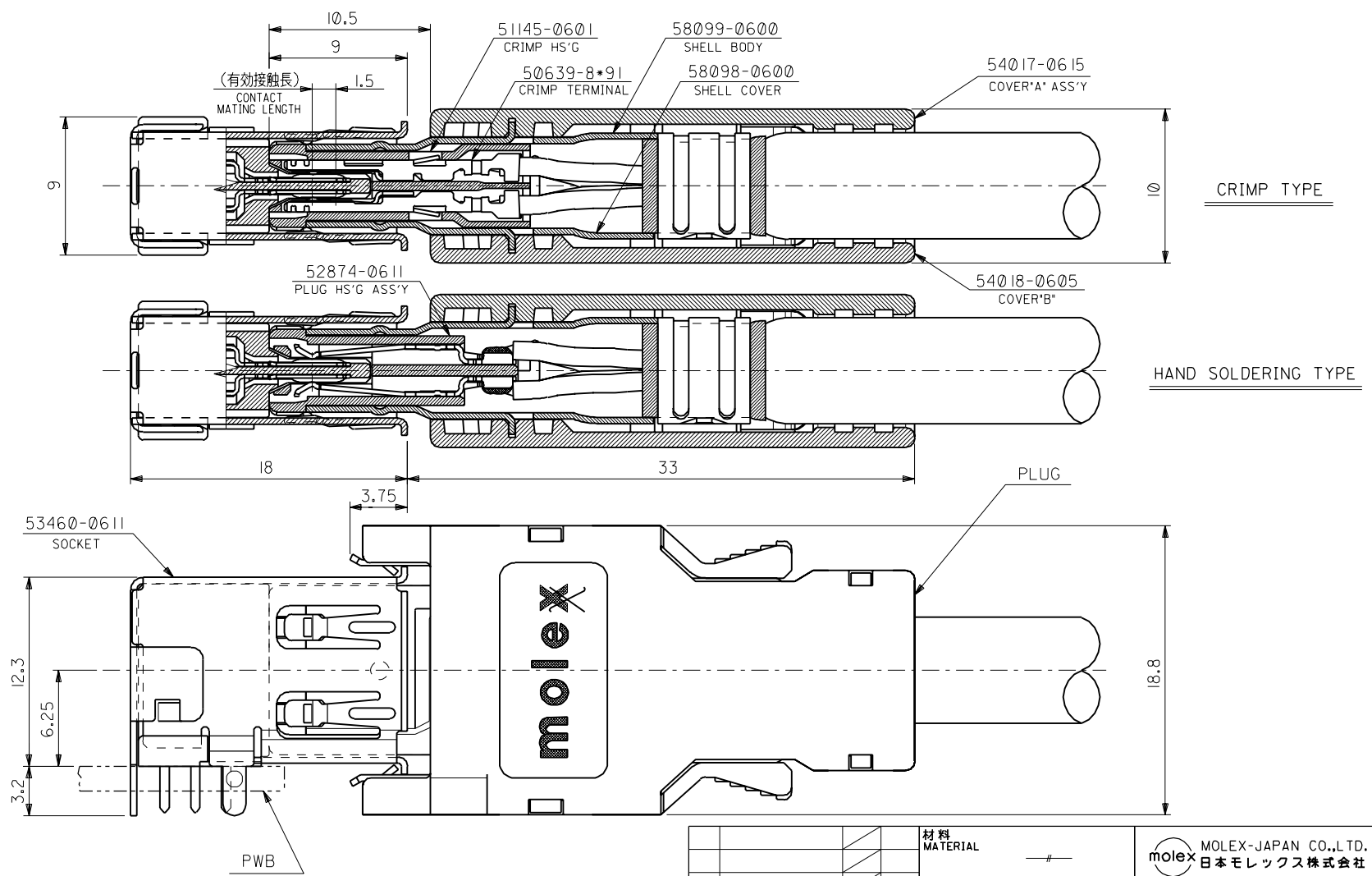
## Contact us

Tel: +86-755-8981 8866 Fax: +86-755-8427 6832

Email & Skype: info@chipsmall.com Web: www.chipsmall.com

Address: A1208, Overseas Decoration Building, #122 Zhenhua RD., Futian, Shenzhen, China





角度 ANGLE	公差
30°以上 OVER	+0.3
10°以上 30°未満 UNDER	+0.25
10°未満 UNDER	+0.2
般公差 GENERAL TOLERANCES	

記号 LTR	変更内容 REVISION RECORD	DR. CHK.	日付 DATE
D	変更 REVISION (LD9154)	G.M.	99/05/24
C	変更 REVISION (LD8077)	G.M.	97/11/25
B	変更 REVISION (LD7055)	J.M.	96/11/01
A	再作図 & 変更 REDRAWN & REVISED (LD6053)	J.M.	96/01/25
0	新規作成 RELEASED	H.I.	95/11/19

材料 MATERIAL	— # —
仕上げ FINISH	— # —
適用電線範囲 WIRE RANGE	— # —
被覆外径 INS. RANGE	— # —
DRAWN BY	CHK'D BY
APP'D BY	DATE
尺度 SCALE	4-1

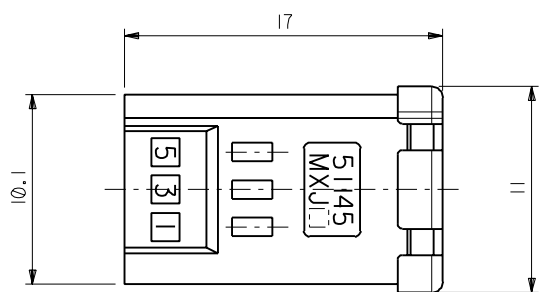
MOLEX-JAPAN CO.,LTD. 日本モレックス株式会社	
REVISE ONLY ON CAD SYSTEM	
TITLE 名称 2.0 mm PITCH I/O CONN. 嵌合型	
CROSS-SECTION VIEW OF MATED CONNECTORS	
DWG. NO.	(SHEET 1 OF 2) REV
SD-51145-0601	D

E

D

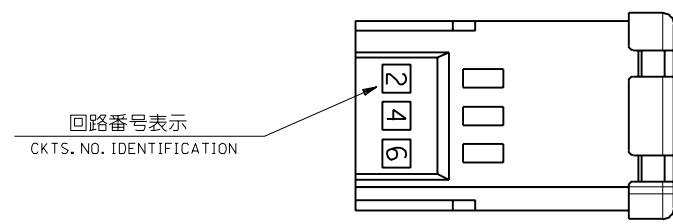
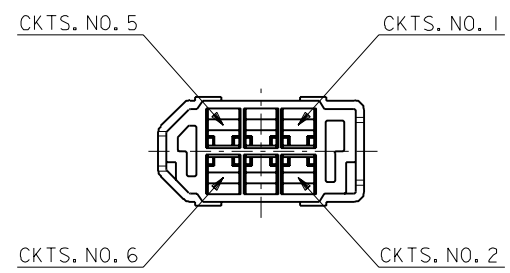
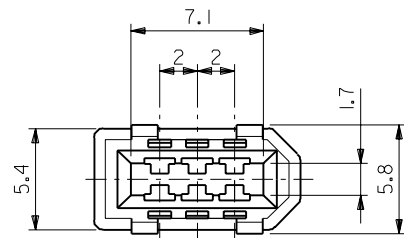
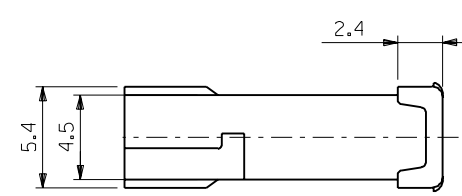
C  
B  
A  
DIMENSIONS IN METRIC DO NOT SCALE DRAWING

8 7 6 5 4 3 2 1



注)  
NOTES

1. 材質  
MATERIAL  
ガラス入りPBT樹脂 UL94V-0 色:黒  
PBT G.F. UL94V-0 COLOR:BLACK
2. 適用ターミナル : 50639-80\*\*  
APPLICABLE TERMINAL : 50639-80\*\*
3. 適用シェルカバー : 58098-0600, 58299-0600  
APPLICABLE SHELL COVER : 58098-0600, 58299-0600
4. 適用シェルボディ : 58099-0600, 58300-0600  
APPLICABLE SHELL BODY : 58099-0600, 58300-0600



				材料 MATERIAL 注参照 SEE NOTES		MOLLEX MOLEX-JAPAN CO.,LTD. 日本モレックス株式会社	
				仕上げ FINISH —		REVISE ONLY ON CAD SYSTEM	
				適用配線範囲 WIRE RANGE —		TITLE 名称	
				被覆外径 INS. RANGE —		2.0 mm PITCH I/O CONN. CRIMP TYPE PLUG HS'G	
				DRAWN BY CHK'D BY		DWG. NO. (SHEET 2 OF 2) REV	
				APP'D BY SCALE 4-1		SD-51145-0601 D	
角度 ANGLE		±3°		記号 LTR		変更内容 REVISION RECORD	
30°以上 OVER		+0.3		DR. 日付 DATE		DR. CHK. 日付 DATE	
10°以上 30°未満 UNDER		+0.25		DR. 日付 DATE		DR. CHK. 日付 DATE	
10°未満 UNDER		+0.2		DR. 日付 DATE		DR. CHK. 日付 DATE	
一般公差 GENERAL TOLERANCES				DR. 日付 DATE		DR. CHK. 日付 DATE	

8 7 6 5 4 3 2 1