



Chipsmall Limited consists of a professional team with an average of over 10 year of expertise in the distribution of electronic components. Based in Hongkong, we have already established firm and mutual-benefit business relationships with customers from,Europe,America and south Asia,supplying obsolete and hard-to-find components to meet their specific needs.

With the principle of "Quality Parts,Customers Priority,Honest Operation,and Considerate Service",our business mainly focus on the distribution of electronic components. Line cards we deal with include Microchip,ALPS,ROHM,Xilinx,Pulse,ON,Everlight and Freescale. Main products comprise IC,Modules,Potentiometer,IC Socket,Relay,Connector.Our parts cover such applications as commercial,industrial, and automotives areas.

We are looking forward to setting up business relationship with you and hope to provide you with the best service and solution. Let us make a better world for our industry!



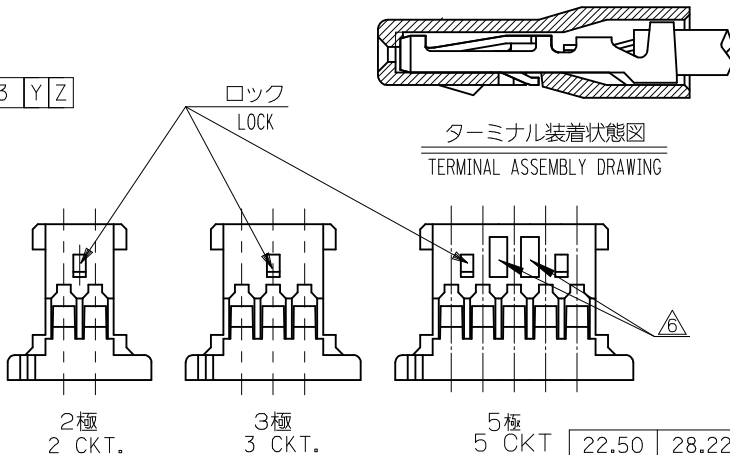
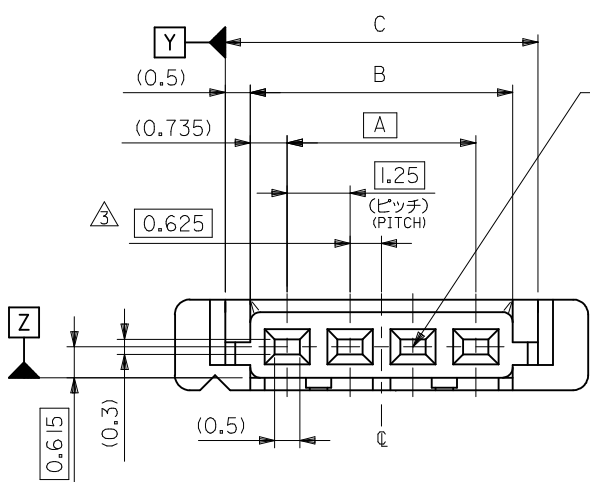
Contact us

Tel: +86-755-8981 8866 Fax: +86-755-8427 6832

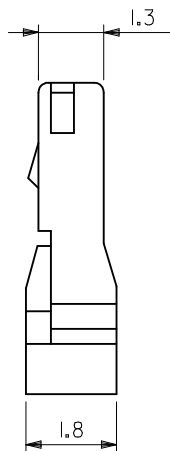
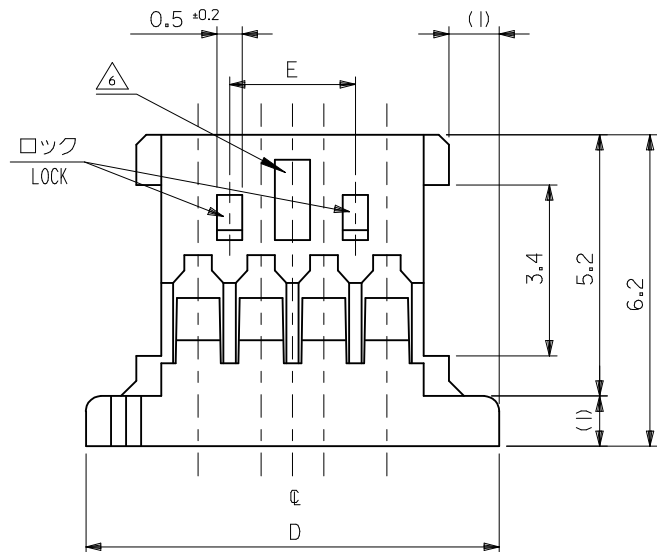
Email & Skype: info@chipsmall.com Web: www.chipsmall.com

Address: A1208, Overseas Decoration Building, #122 Zhenhua RD., Futian, Shenzhen, China

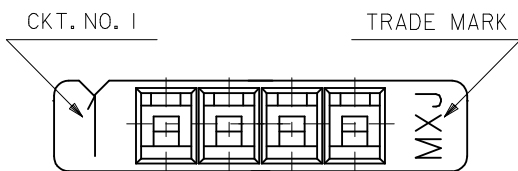




- 注記 NOTES**
1. 嵌合相手: 53779-**10, 53780-**10
MATES: 53779-**10, 53780-**10
 2. 適合ターミナル: 50641-8***
APPLICABLE TERMINAL: 50641-8***
 3. 偶数極の製品に適用。
APPLY EVEN CIRCUIT PRODUCTS.
 4. 材料: PBT, UL94V-0
MATERIAL
 5. 及び 適合品
ELV AND RoHS COMPLIANT
 6. 4極以上のロック間に於ける各極間に適用
APPLY TO RECESS SPACE BETWEEN EACH CKT WALL OVER THE 4CKT



	22.50	28.22	26.22	25.22	23.75	51146-2000	20
	21.25	26.97	24.97	23.97	22.50	-1900	19
	20.00	25.72	23.72	22.72	21.25	-1800	18
	18.75	24.47	22.47	21.47	20.00	-1700	17
	17.50	23.22	21.22	20.22	18.75	-1600	16
	16.25	21.97	19.97	18.97	17.50	-1500	15
	15.00	20.72	18.72	17.72	16.25	-1400	14
	13.75	19.47	17.47	16.47	15.00	-1300	13
	12.50	18.22	16.22	15.22	13.75	-1200	12
	11.25	16.97	14.97	13.97	12.50	-1100	11
	10.00	15.72	13.72	12.72	11.25	-1000	10
	8.75	14.47	12.47	11.47	10.00	-0900	9
	7.50	13.22	11.22	10.22	8.75	-0800	8
	6.25	11.97	9.97	8.97	7.50	-0700	7
	5.00	10.72	8.72	7.72	6.25	-0600	6
	3.75	9.47	7.47	6.47	5.00	-0500	5
	2.50	8.22	6.22	5.22	3.75	-0400	4
		6.97	4.97	3.97	2.50	-0300	3
		5.72	3.72	2.72	1.25	51146-0200	2
E	D	C	B	A	PLASTIC BAG		極数
						ORDER No. オーダー番号	CIRCUITS



REVISED EC NO: J2016-0670 DRW: KIMATSUYAMA 2016/01/28 CHKD: APPR: TKANEKO 2016/01/29	GENERAL TOLERANCES (UNLESS SPECIFIED)		DIMENSION STYLE MM ONLY		SCALE 10:1	DESIGN UNITS METRIC	THIRD ANGLE PROJECTION
	0.25 UNDER	±0.03	DRAWN BY	DATE	TITLE		
	0.25 OVER 0.5 UNDER	±0.05	Y. MIZUNO	'95/12/25	1.25 WIRE TO BOARD CONN. HOUSING		
	0.5 OVER 1.0 UNDER	±0.1	CHECKED BY	DATE			
1.0 OVER 10 UNDER	±0.2	Y. MIZUNO	'96/08/20				
10 OVER 30 UNDER	±0.25	APPROVED BY	DATE				
30 OVER	±0.3	TKANEKO	2016/01/29				
ANGULAR ±3 °		MATERIAL NO.		DOCUMENT NO.		SHEET NO.	
DRAFT WHERE APPLICABLE MUST REMAIN WITHIN DIMENSIONS		SEE TABLE		SD-51146-001		1 OF 1	
THIS DRAWING CONTAINS INFORMATION THAT IS PROPRIETARY TO MOLEX ELECTRONIC TECHNOLOGIES, LLC AND SHOULD NOT BE USED WITHOUT WRITTEN PERMISSION							