



Chipsmall Limited consists of a professional team with an average of over 10 year of expertise in the distribution of electronic components. Based in Hongkong, we have already established firm and mutual-benefit business relationships with customers from,Europe,America and south Asia,supplying obsolete and hard-to-find components to meet their specific needs.

With the principle of "Quality Parts,Customers Priority,Honest Operation,and Considerate Service",our business mainly focus on the distribution of electronic components. Line cards we deal with include Microchip,ALPS,ROHM,Xilinx,Pulse,ON,Everlight and Freescale. Main products comprise IC,Modules,Potentiometer,IC Socket,Relay,Connector.Our parts cover such applications as commercial,industrial, and automotives areas.

We are looking forward to setting up business relationship with you and hope to provide you with the best service and solution. Let us make a better world for our industry!



Contact us

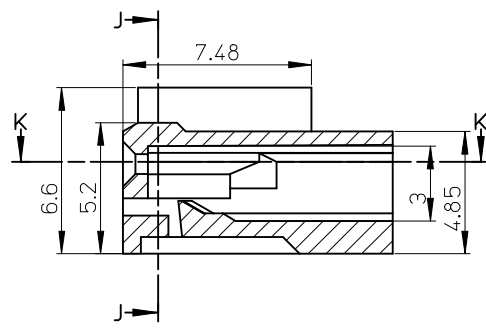
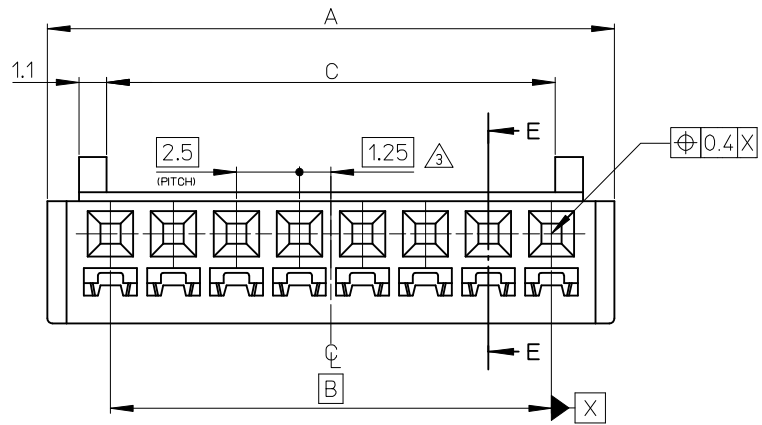
Tel: +86-755-8981 8866 Fax: +86-755-8427 6832

Email & Skype: info@chipsmall.com Web: www.chipsmall.com

Address: A1208, Overseas Decoration Building, #122 Zhenhua RD., Futian, Shenzhen, China

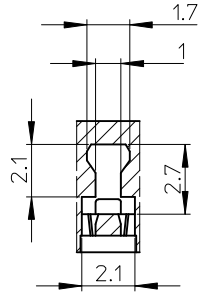
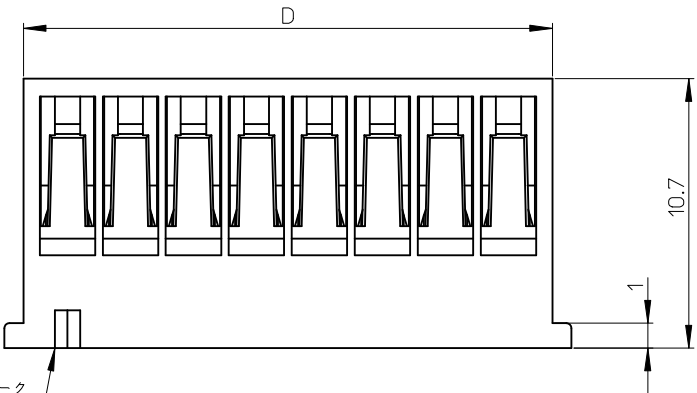


10 9 8 7 6 5 4 3 2 1

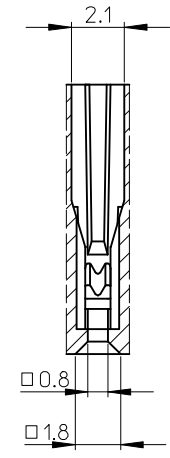


断面 E-E
SECTION E-E

NOTES: 1. 適合ターミナル : 50802-****
 APPLICABLE TERMINAL : 50802-****
 2. 嵌合相手 : 5045,5046,5240シリーズ
 MATE WITH : 5045,5046,5240 SERIES
 △ 偶数極の製品に適用
 APPLY EVEN CIRCUITS PRODUCTS



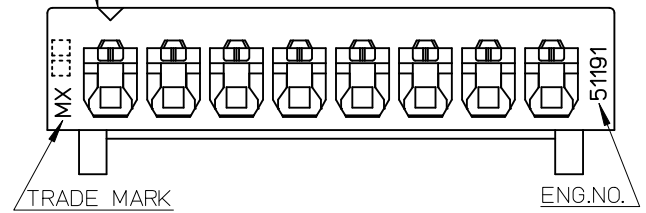
断面 J-J
SECTION J-J



断面 K-K
SECTION K-K

41	37.8	37.5	42.5	51191-1600	16
38.5	35.3	35	40	51191-1500	15
36	32.8	32.5	37.5	51191-1400	14
33.5	30.3	30	35	51191-1300	13
31	27.8	27.5	32.5	51191-1200	12
28.5	25.3	25	30	51191-1100	11
26	22.8	22.5	27.5	51191-1000	10
23.5	20.3	20	25	51191-0900	9
21	17.8	17.5	22.5	51191-0800	8
18.5	15.3	15	20	51191-0700	7
16	12.8	12.5	17.5	51191-0600	6
13.5	10.3	10	15	51191-0500	5
11	7.8	7.5	12.5	51191-0400	4
8.5	5.3	5	10	51191-0300	3
6	2.8	2.5	7.5	51191-0200	2
D	C	B	A	MATERIAL NO.	CKT.

回路番号1マーク
CKT.NO.1MARK



材料 MATERIAL	NYLON66.JL94V-0
仕上げ FINISH	—#—
適用電線範囲 WIRE RANGE	—#—
被覆外径 INS. RANGE	—#—

REVISED EC NO. : J2009-1227 DRWN:YOSHIDAM 2008/12/19 CHKD:THARUYAMA 2008/12/19 APPR:NUKITA 2009/01/16	GENERAL TOLERANCES (UNLESS SPECIFIED)	DIMENSION STYLE MM ONLY
	10 UNDER ±0.2	DRAWN BY DATE S.MATSUZAKI 1998/04/09
	10 OVER 30 UNDER ±0.25	CHECKED BY DATE S.KUNISHI 1998/04/10
	30 OVER ±0.3	APPROVED BY DATE M.FUKUSHIMA 1998/04/10
ANGULAR ±---°	MATERIAL NO.	TITLE 2.5 WIRE TO BOARD CONN. HOUSING
DRAFT WHERE APPLICABLE MUST REMAIN WITHIN DIMENSIONS	SEE TABLE	SCALE DESIGN UNITS 5:1 METRIC

51191-***00	MODEL NO.
THIRD ANGLE PROJECTION	
MOLEX INCORPORATED	
DOCUMENT NO. SD-51191-004	SHEET NO. 1 OF 1
THIS DRAWING CONTAINS INFORMATION THAT IS PROPRIETARY TO MOLEX INCORPORATED AND SHOULD NOT BE USED WITHOUT WRITTEN PERMISSION	